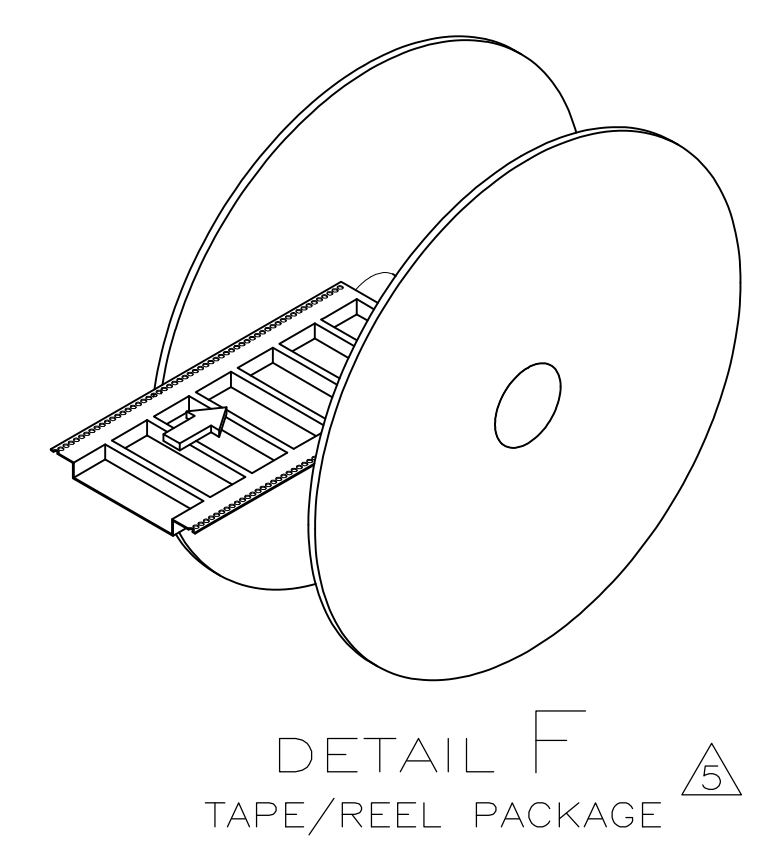


- DIMENSIONS IN BRACKETS [] ARE IN INCHES.
 - MATERIAL: HOUSING - LCP MOLDING COMPOUND, BLACK.
 TERMINALS - PHOSPHOR BRONZE PLATED WITH 1.27 μm [.000050] MINIMUM THICK GOLD IN CONTACT AREA AND 3.8 μm [.000150] MINIMUM THICK TIN-LEAD ON SOLDER TINES OVER 2.54 μm [.000100] MINIMUM THICK NICKEL UNDERPLATE OVER ENTIRE TERMINAL.
 DETENTION CLIPS - CARBON STEEL PLATED WITH 0.50 μm [.000020] MINIMUM THICK TIN-LEAD OVER 5.0 μm [.000200] MINIMUM THICK NICKEL UNDERPLATE.
 - CONNECTOR WILL ACCOMMODATE PRINTED CIRCUIT BOARD THICKNESS OF 0.5 ± 0.08 [.020 ± 0.003].
- TRAY PACKAGED.
 - TAPE AND REEL PACKAGED, SEE DETAIL F.
 - SUPERSEDED BY 5-557908-1.
 - SUPERSEDED BY 5-557908-2.
 - SUPERSEDED BY 5-557908-1.



OBSOLETE	5	34.72 [1.367]	5.715 [.225]	36.75 [1.447]	30.75 [1.211]	24.405 [.961]	15 KEYED	5-557908-2
		27.1 [1.067]	1.905 [.075]	29.13 [1.147]	23.13 [.911]	16.785 [.661]	9 KEYED	5-557908-1
4	4	34.72 [1.367]	5.715 [.225]	36.75 [1.447]	30.75 [1.211]	24.405 [.961]	15 KEYED	557908-2
		27.1 [1.067]	1.905 [.075]	29.13 [1.147]	23.13 [.911]	16.785 [.661]	9 KEYED	557908-1
	PACKAGED	DIM E	DIM D	DIM C	DIM B	DIM A	POSITIONS	PART NUMBER

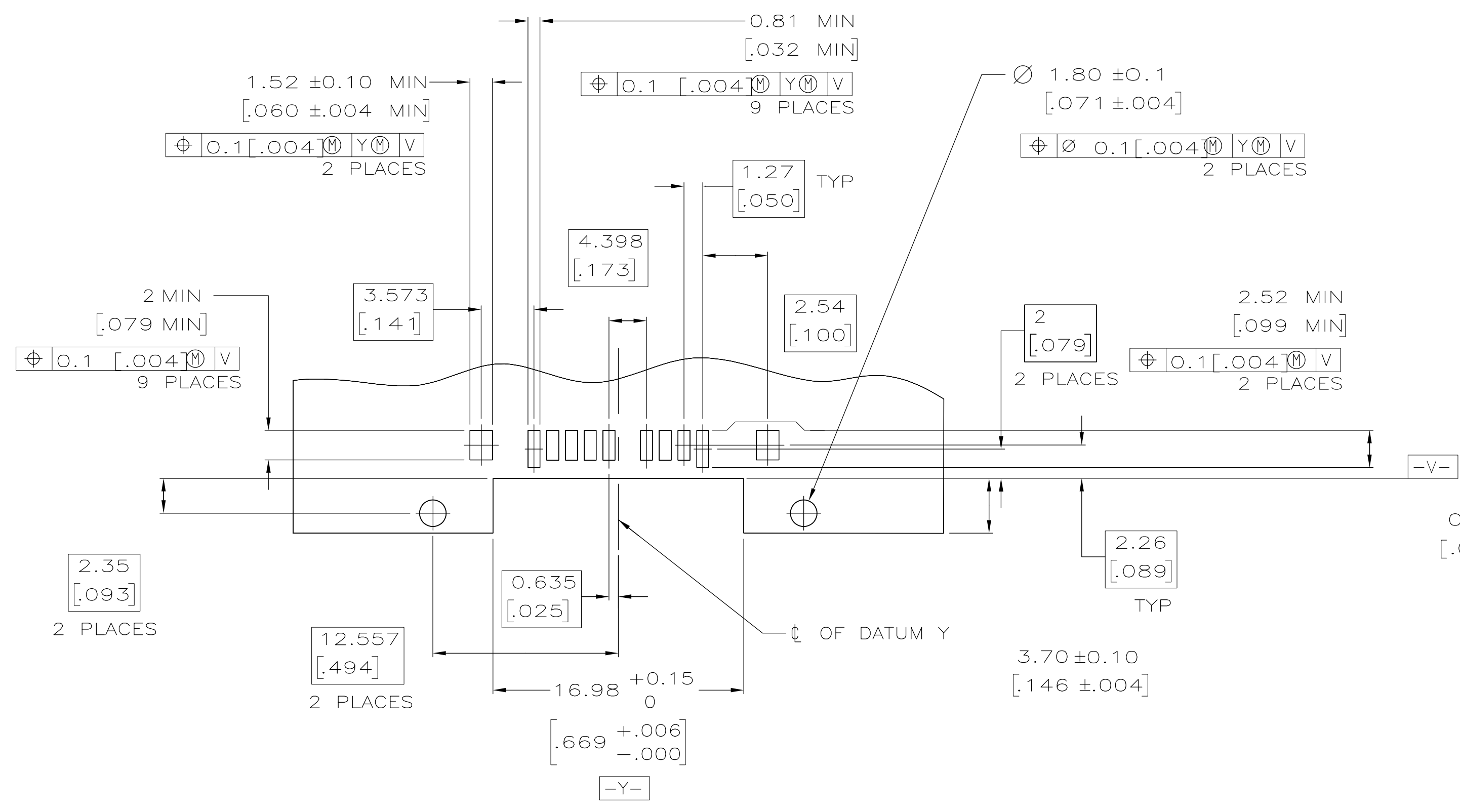
THIS DRAWING IS A CONTROLLED DOCUMENT.

DIMENSIONS: mm [INCHES]	TOLERANCES UNLESS OTHERWISE SPECIFIED:	DWN: A. HOLT 1-26-93	APVD: D. WOLLA 4-14-93
0 PLC \pm -	1 PLC \pm -	2 PLC \pm -	3 PLC \pm -
4 PLC \pm -	ANGLES \pm -	SIZE: A1	CAGE CODE: 00779
MATERIAL: 2	FINISH: 3	WEIGHT: -	DRAWING NO: 557908

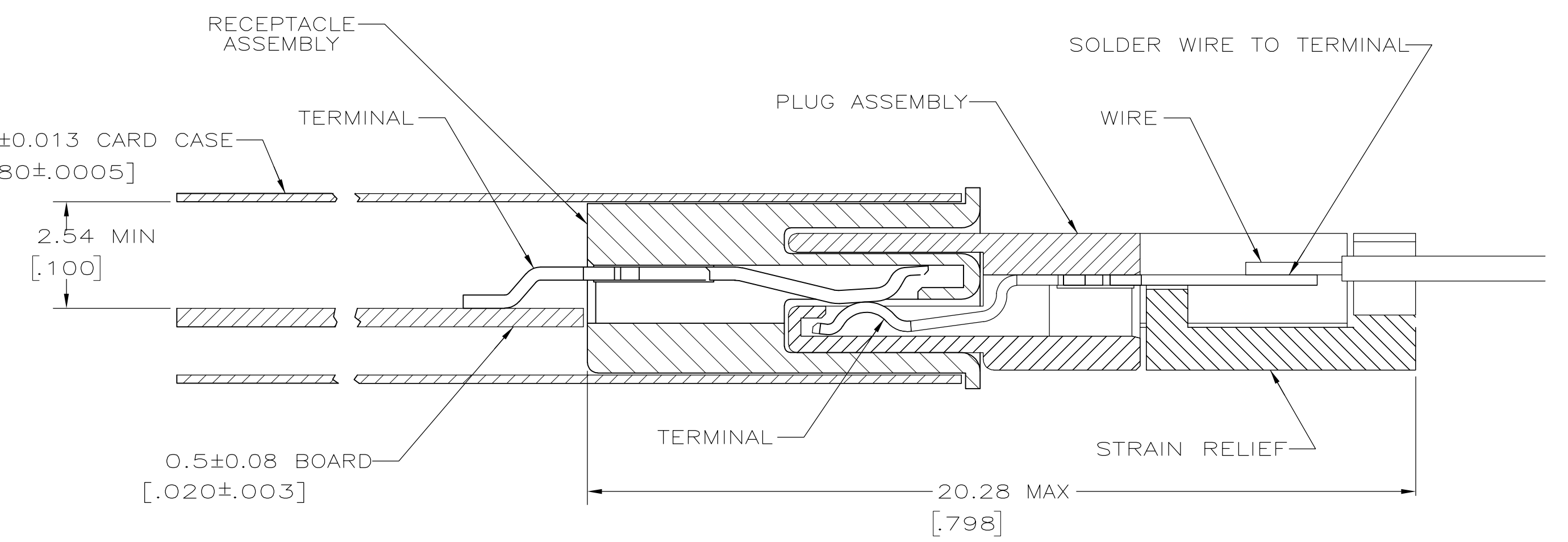
Customer Drawing SCALE: 8:1 SHEET 1 OF 2 REV G

Tyco Electronics Corporation
 Harrisburg, PA 17105-3608

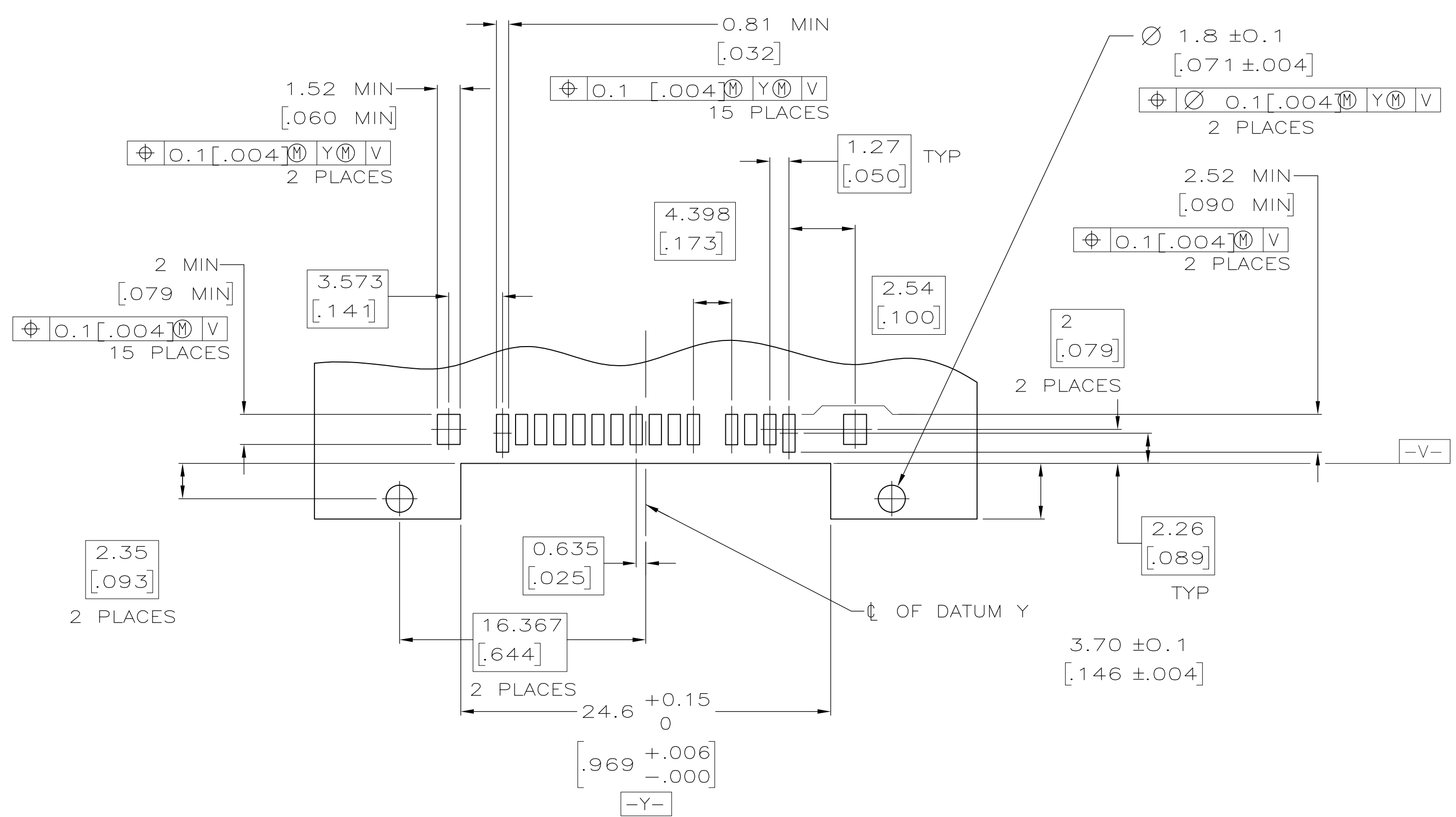
RECEPTACLE ASSEMBLY, MEMORY CARD, TYPE II



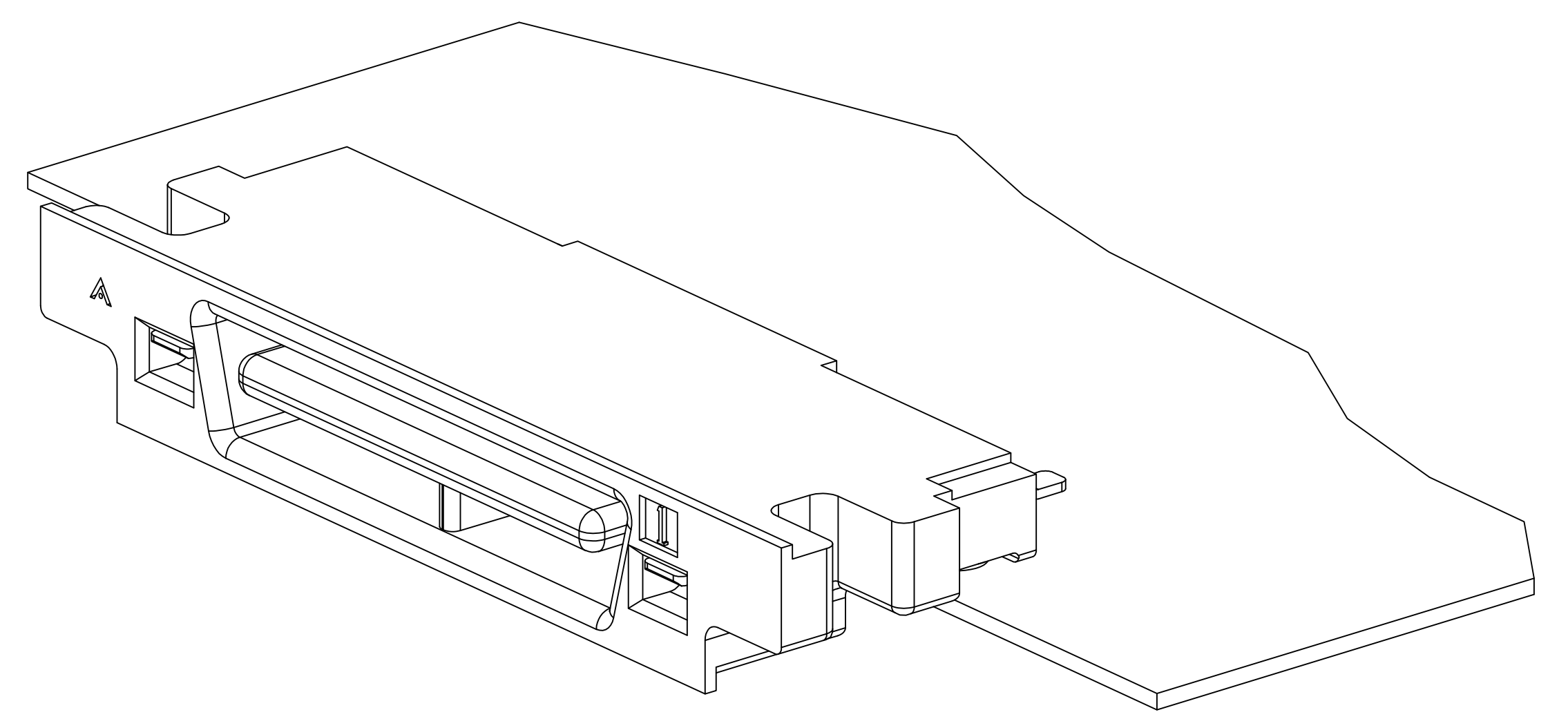
SUGGESTED PC BOARD MOUNTING DIMENSIONS FOR 9 POSITION SCALE 4:1



RECEPTACLE ASSEMBLY MATED TO PLUG ASSEMBLY SCALE 10:1



SUGGESTED PC BOARD MOUNTING DIMENSIONS FOR 15 POSITION SCALE 4:1



THIS DRAWING IS A CONTROLLED DOCUMENT.		DWN A. HOLT	1-29-93	Tyco Electronics Corporation Harrisburg, PA 17105-3608	
DIMENSIONS: mm [INCHES]		CHK D. WOLLA	4-14-93	NAME RECEPTACLE ASSEMBLY, MEMORY CARD, TYPE II	
TOLERANCES UNLESS OTHERWISE SPECIFIED:		APVD		PRODUCT SPEC	
0 PLC	± -			APPLICATION SPEC	
1 PLC	± -			SIZE	
2 PLC	± -			CAGE CODE	
3 PLC	± -			DRAWING NO	
4 PLC	± -			RESTRICTED TO	
ANGLES	± -			A1 00779 ©=557908	
MATERIAL	2	WEIGHT		CUSTOMER DRAWING	
FINISH		SCALE		SHEET	
		8:1		2 OF 2	
				REV G	