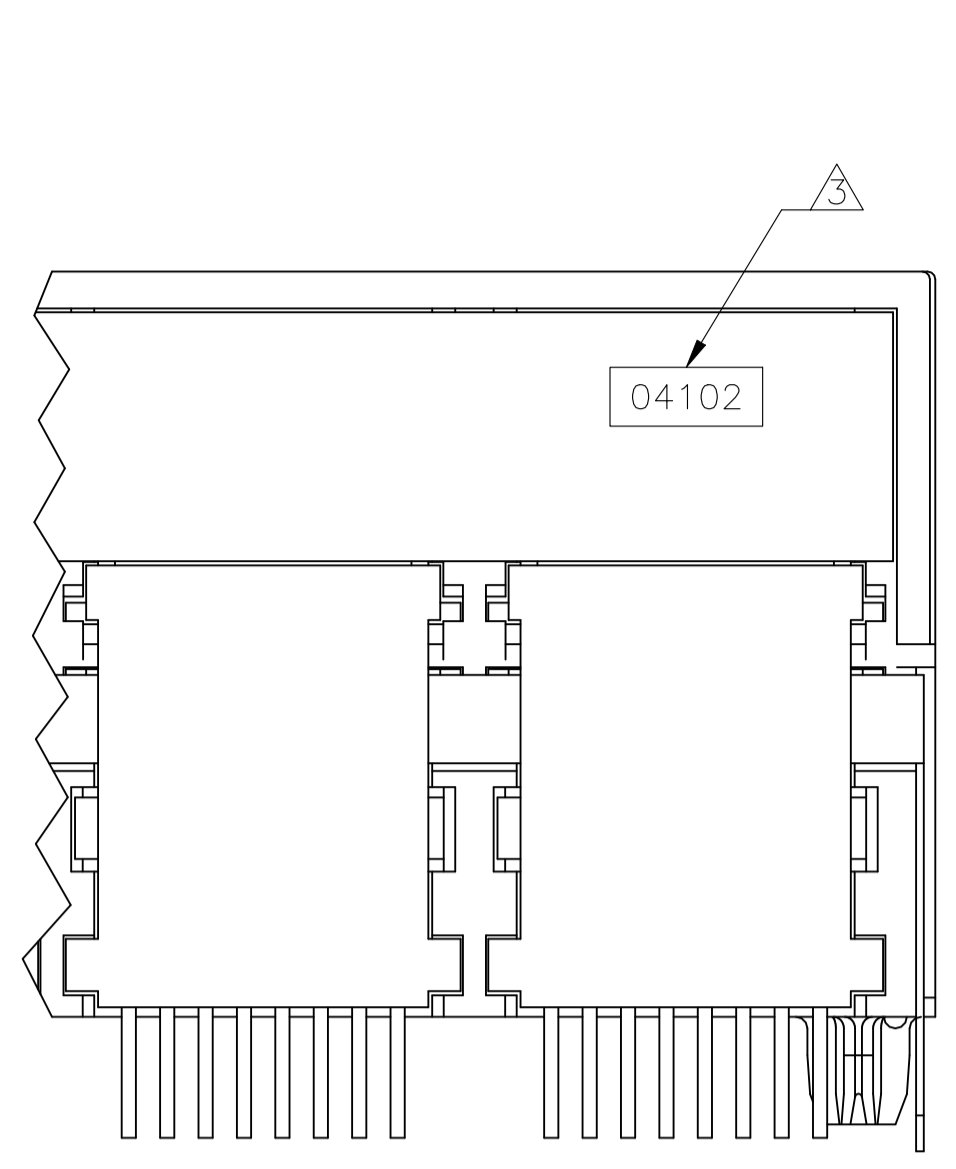
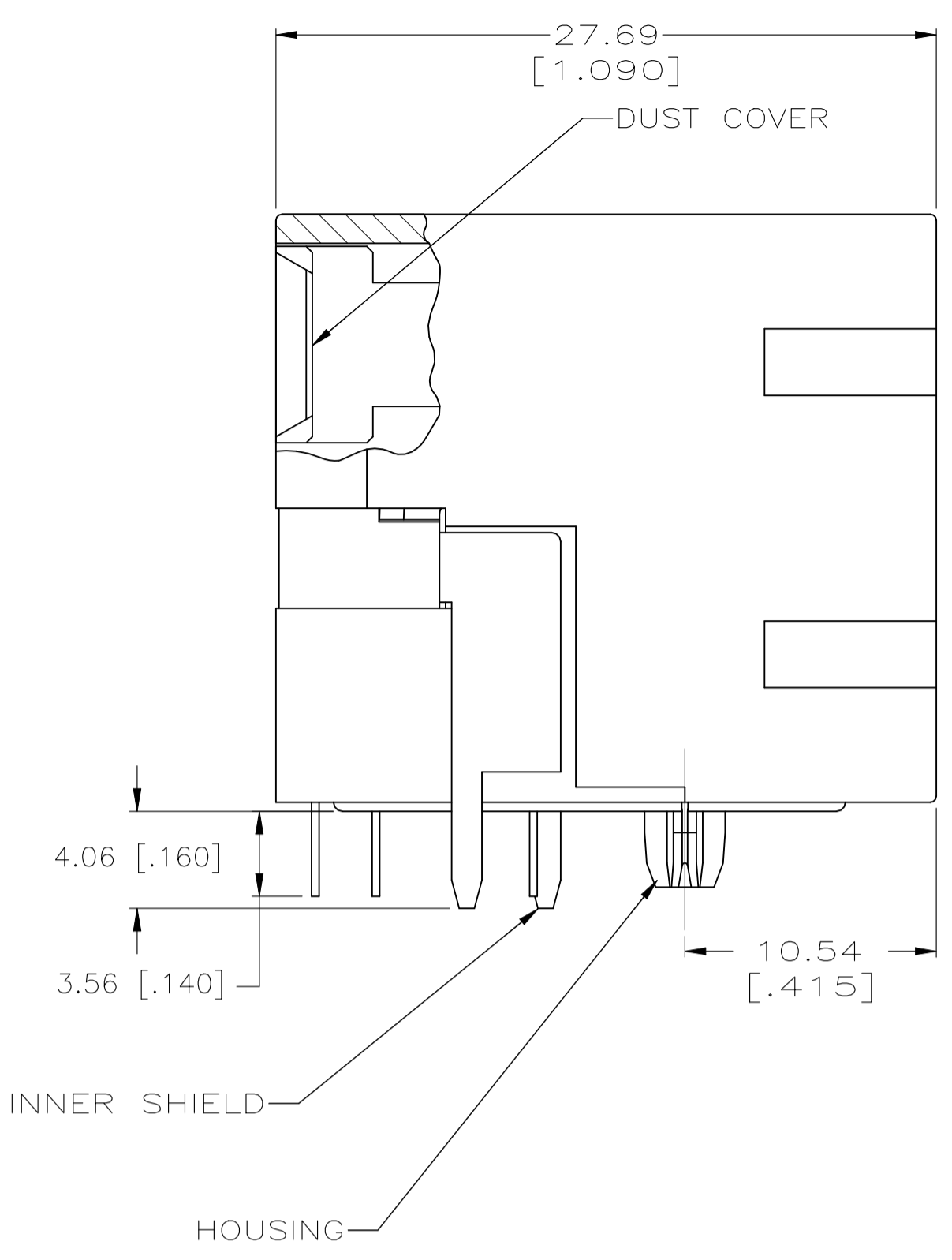


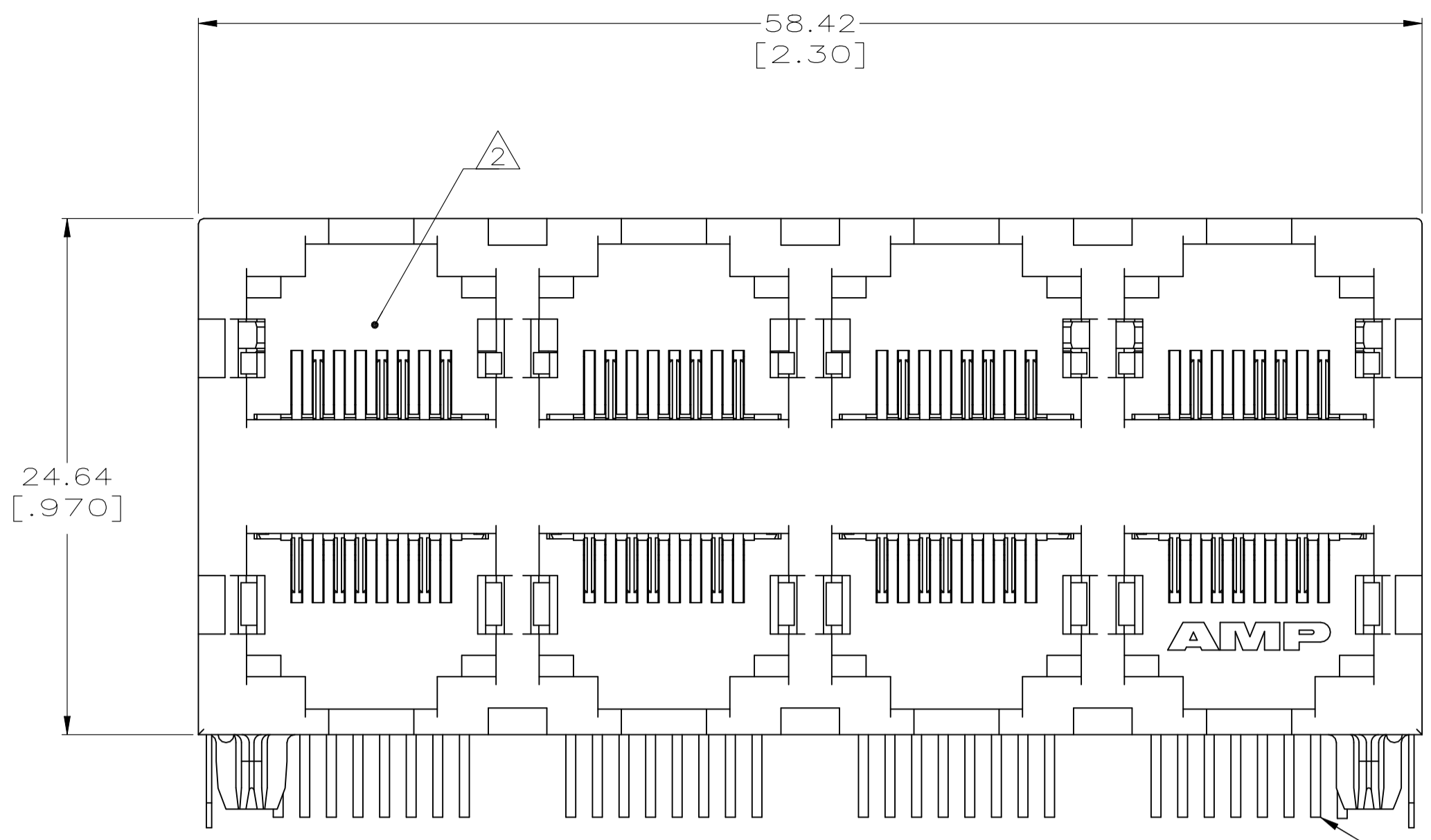
REVISIONS					
REV	DESCRIPTION	DATE	BY	CHK	APP'D
A1	REVISED AS PER ECR-23-169440	19APR2023	JK	WH	



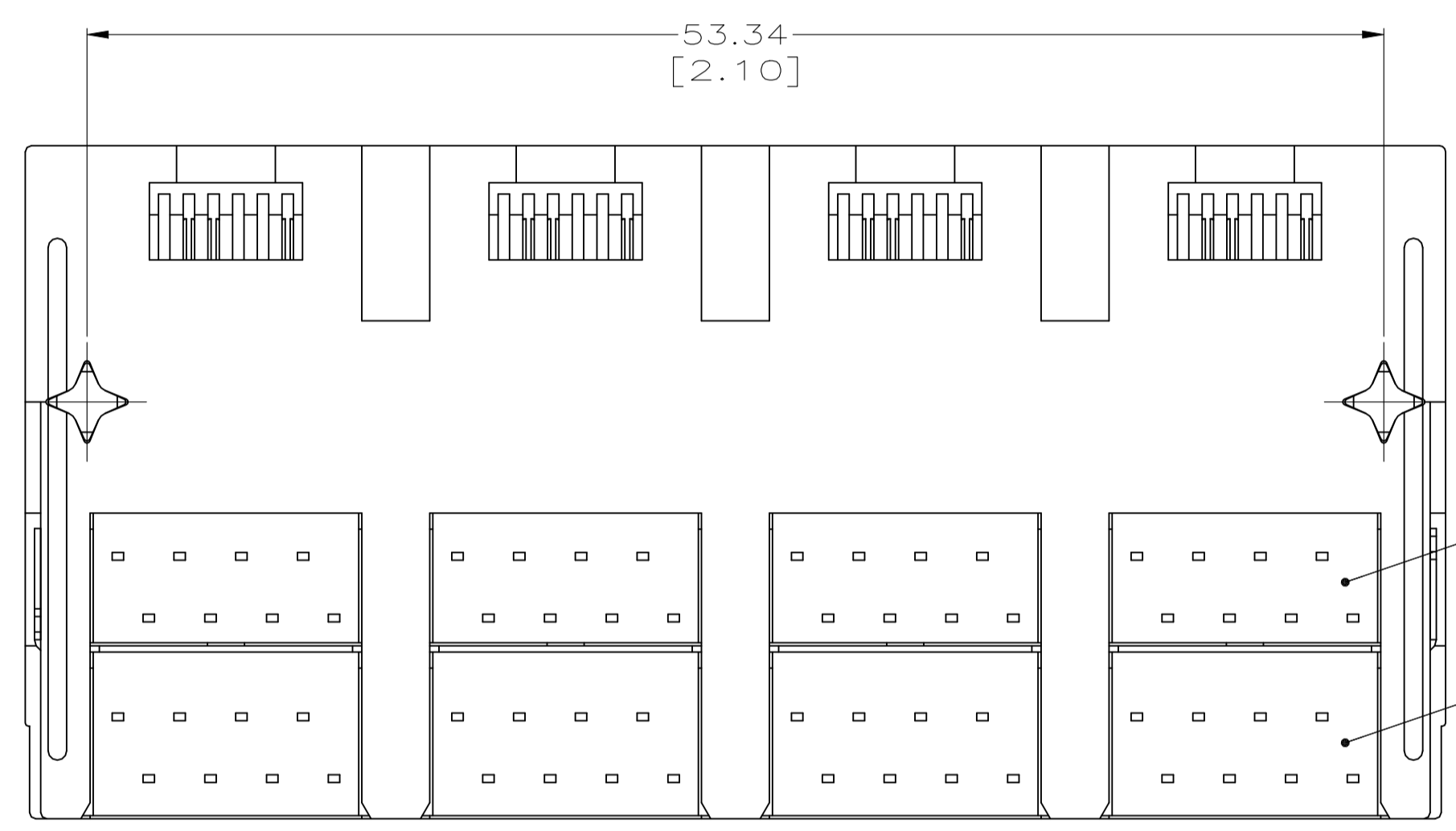
PARTIAL REAR VIEW



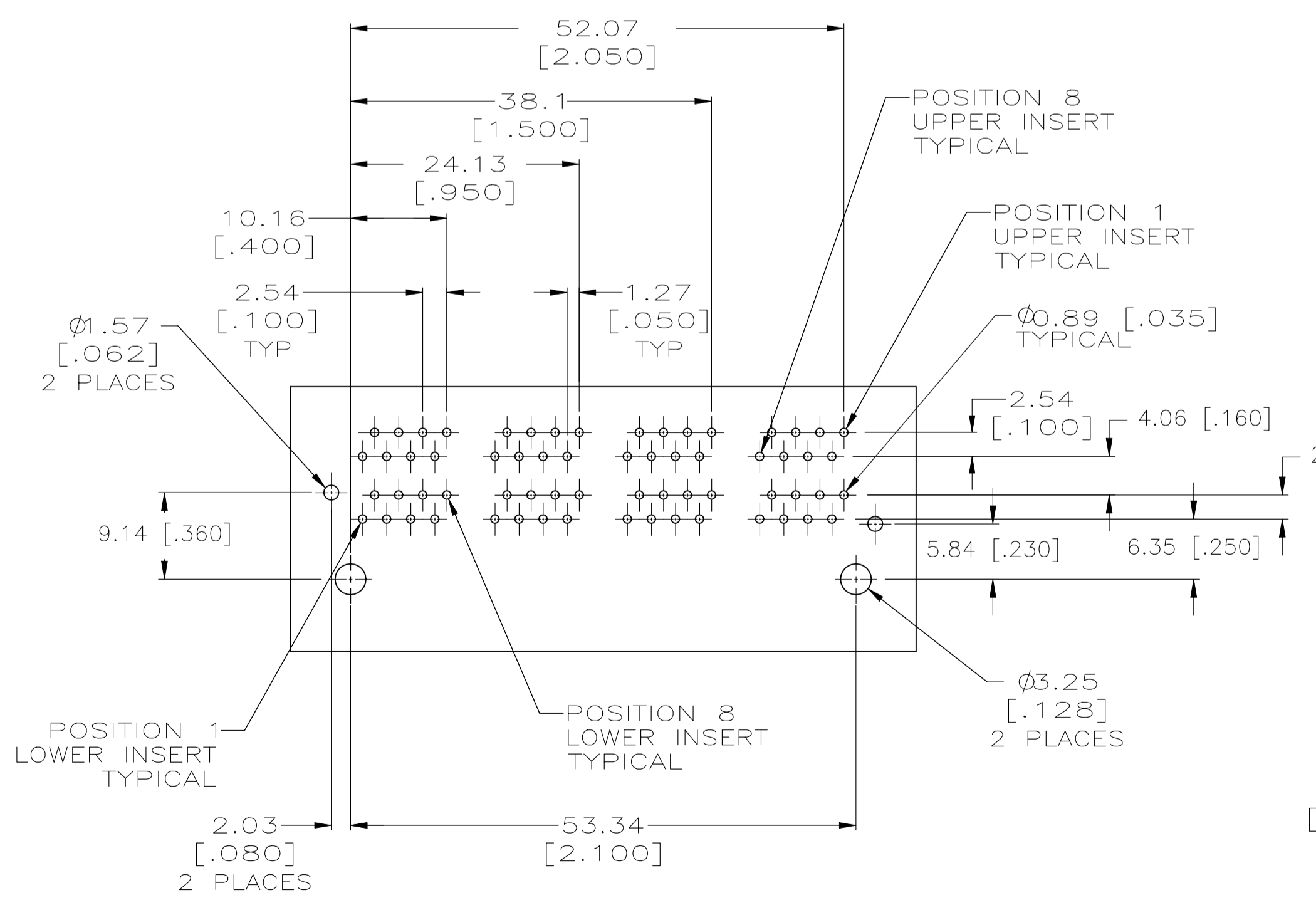
INNER SHIELD
HOUSING



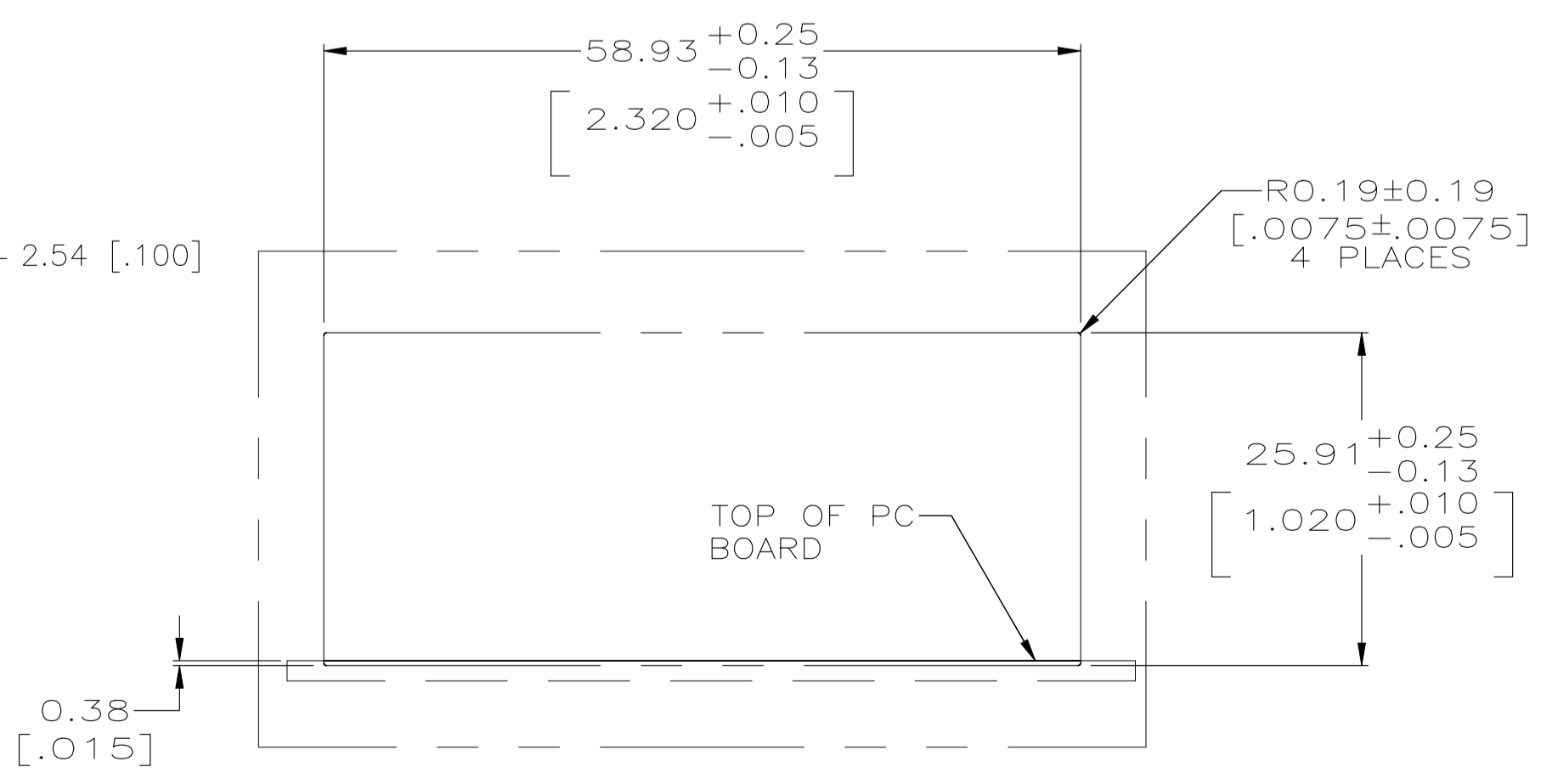
- 1 MATERIAL:
HOUSING - PCT POLYESTER, BLACK, UL94V-0.
OVERMOLDED TERMINAL ARRAY - PBT, BROWN.
TERMINALS - 0.33 [.013] THICK PHOS BRONZE PLATED WITH 1.27µm [.000050] MIN THICK HARD GOLD IN LOCALIZED AREA AND 3.81µm [.000150] MIN THICK MATTE TIN IN SOLDER AREA OVER 1.27µm [.000050] MIN THICK NICKEL UNDERPLATE.
OUTER SHIELD AND INNER SHIELD - 0.25 [.010] THICK COPPER ALLOY PLATED WITH 2.03µm [.000080] MIN THICK TIN OVER 1.27µm [.000040] MINIMUM THICK NICKEL.
- 2 JACK CAVITY CONFORMS TO FCC RULES AND REGULATIONS, PART 68 SUBPART F.
- 3 DATE CODE LABEL LOCATED ON REAR OF PART APPROXIMATELY AS SHOWN:
FIRST 2 DIGITS ARE LAST 2 DIGITS OF YEAR, SECOND 2 DIGITS ARE MANUFACTURING WORK WEEK, LAST DIGIT IS DAY OF WEEK, WITH SUNDAY = 1.



LOWER INSERT QUANTITY 4
UPPER INSERT QUANTITY 4



PC BOARD LAYOUT VIEWED FROM COMPONENT SIDE
SCALE 2:1



SUGGESTED PANEL CUTOUT DIMENSIONS
SCALE 2:1

THIS DRAWING IS A CONTROLLED DOCUMENT.		DIN A FERNANDEZ-DOCKS 13JUN2005		5569252-1 PART NUMBER	
DIMENSIONS: mm [INCHES]		TOLERANCES UNLESS OTHERWISE SPECIFIED:		STE TE Connectivity	
0. PLC	±	APVD J. WESTMAN 13JUN2005	NAME	STACKED MODULAR JACK ASSEMBLY, 2 X 4 PORT, 8 POSITION, UNSHIELDED, CATEGORY 5	
1. PLC	±	PRODUCT SPEC		108-1163-2	
2. PLC	± 0.25[.01]	APPLICATION SPEC		114-2048	
3. PLC	± 0.13[.005]	WEIGHT	0.000000	SCALE	4:1
4. PLC	±	CUSTOMER DRAWING		SHEET	1 of 1
ANGLES	±			REV	A1