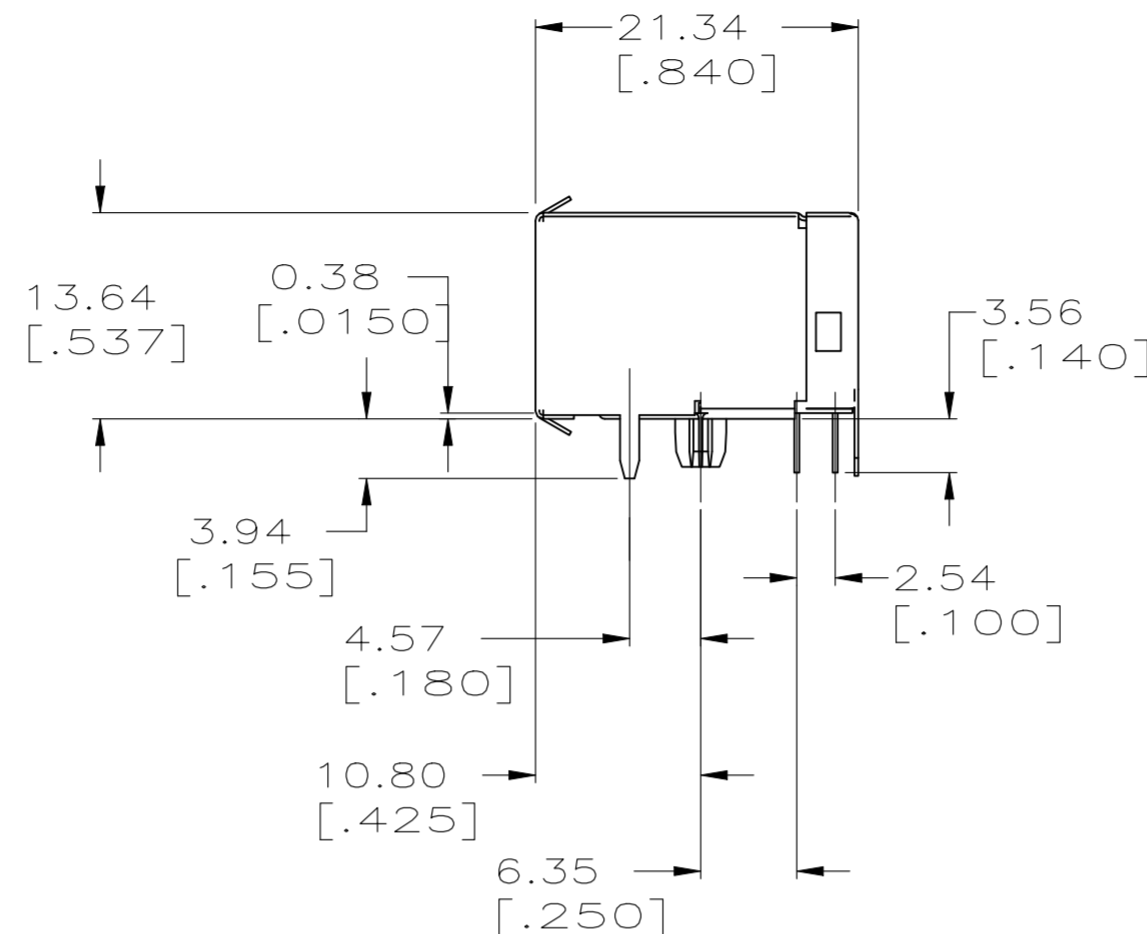
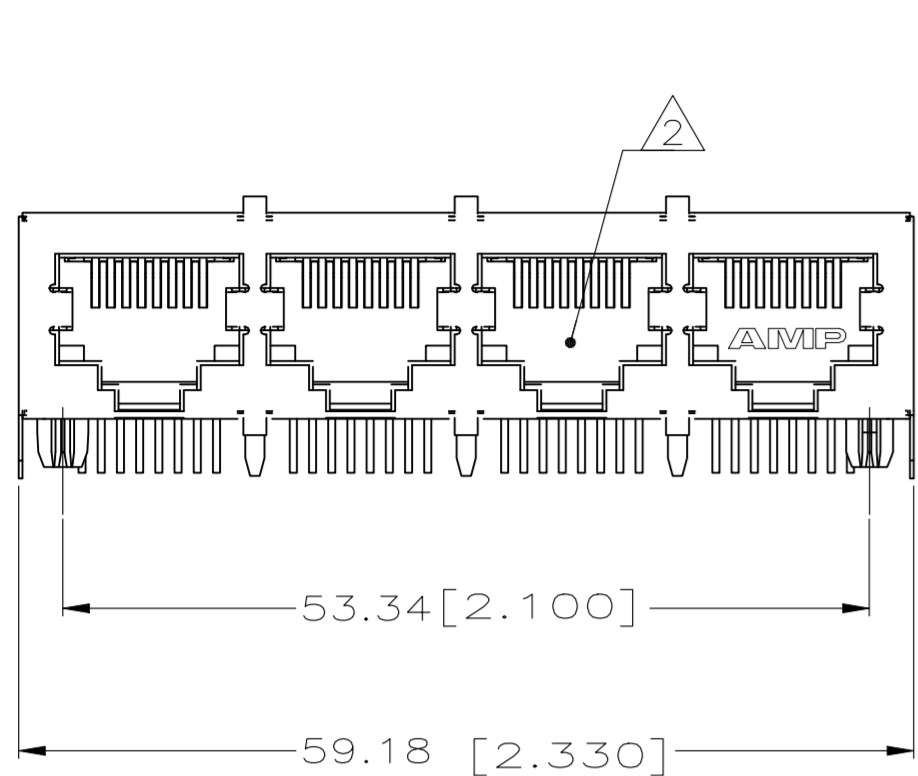
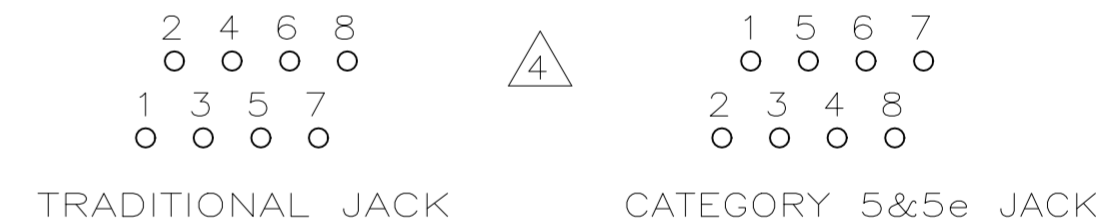
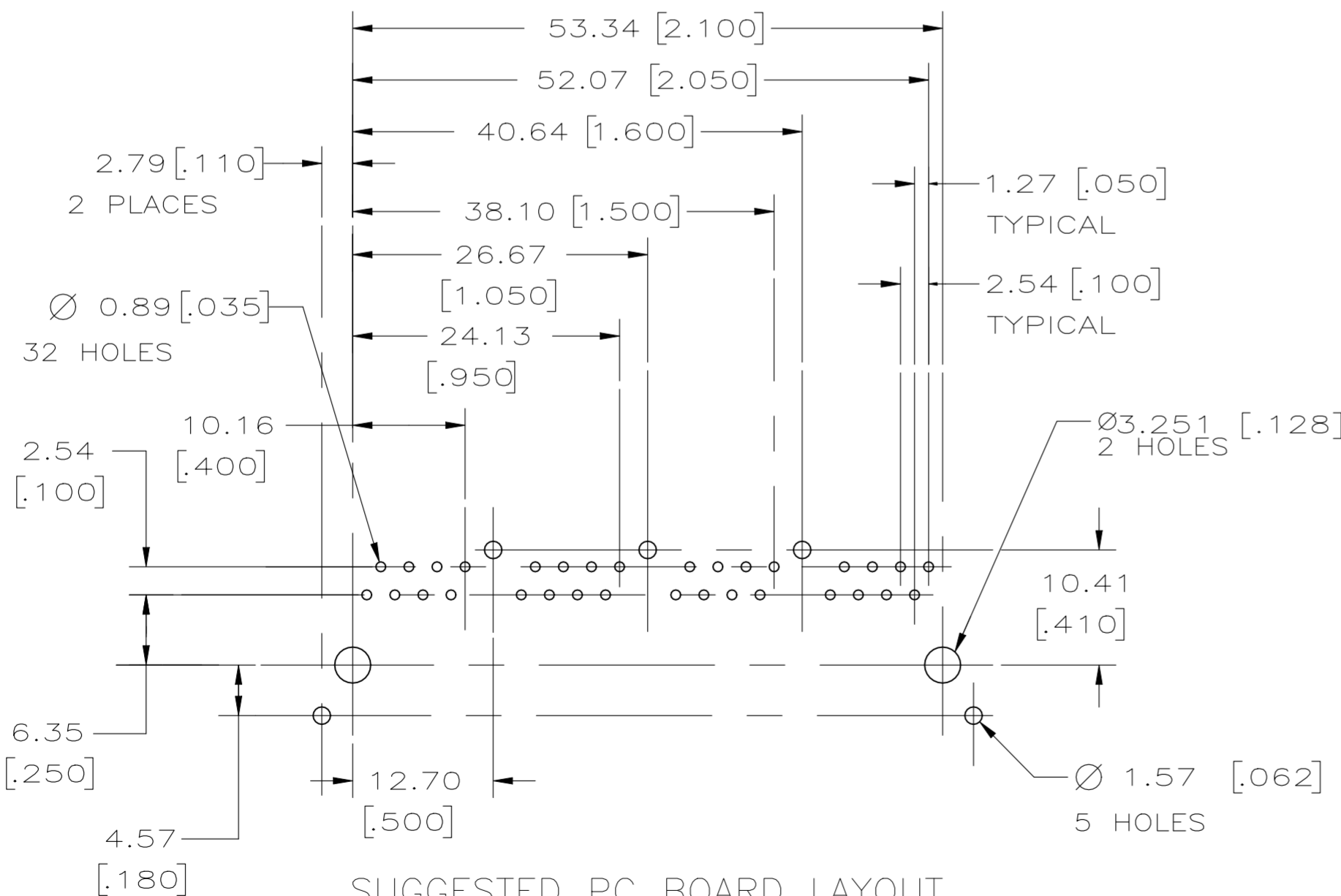


REVISIONS					
P	LTR	DESCRIPTION	DATE	DWN	APVD
B2		ECR-19-014657	13DEC2020	RR	SZ



- ⚠ MATERIAL: HOUSING – PCT POLYESTER, BLACK, IR COMPATIBLE, UL 94V-0.
TERMINALS – 0.33 [.013] THICK PHOS BRONZE PLATED WITH 1.27 μ m [.000050] MINIMUM HARD GOLD ON LOCALIZED AREA AND 3.81 μ m [.000150] MINIMUM MATTE TIN IN SOLDER AREA OVER 1.27 μ m [.000050] MINIMUM NICKEL UNDERPLATE.
SHIELDS – 0.25 [.010] THICK COPPER ALLOY PLATED WITH 1.27 μ m [.000050] MINIMUM NICKEL AND 2.03 μ m [.000080] MINIMUM HOT TIN DIP ON PCB GROUND TABS.
- ⚠ JACK CAVITY CONFORMS TO FCC RULES AND REGULATIONS, PART 68 SUBPART F.
- 3. ALL DIMENSIONS ARE NOMINAL UNLESS OTHERWISE SPECIFIED.
- ⚠ CAUTION: CATEGORY 5 JACK SOLDER TAIL POSITIONS DO NOT FOLLOW SAME NUMBER

JACKS.
SEQUENCE AS THAT OF THE TRADITIONAL



5558524-1
PART NUMBER

THIS DRAWING IS A CONTROLLED DOCUMENT.		DWN W. LONG/L.A.MAYER 20APR2005		
DIMENSIONS: mm		CHK J.WESTMAN 20APR2005		
TOLERANCES UNLESS OTHERWISE SPECIFIED:		APVD S.FLICKINGER 20APR2005	NAME	
0 PLC ± - 1 PLC ± - 2 PLC ± 0.25[.01] 3 PLC ± 0.13[.005] 4 PLC ± - ANGLES ± -		PRODUCT SPEC 108-1163-2	MODULAR JACK ASSEMBLY, 4 PORT, 8 POSN, RIGHT ANGLE, CAT 5e, PCB GROUND SHIELD	
MATERIAL SEE NOTE 1		FINISH SEE NOTE 1	APPLICATION SPEC 114-2048	RESTRICTED TO
		WEIGHT 0.000000	SIZE A2	CAGE CODE 00779
		CUSTOMER DRAWING	SCALE 2:1	DRAWING NO C=5558524
			SHEET 1 OF 1	REV B2