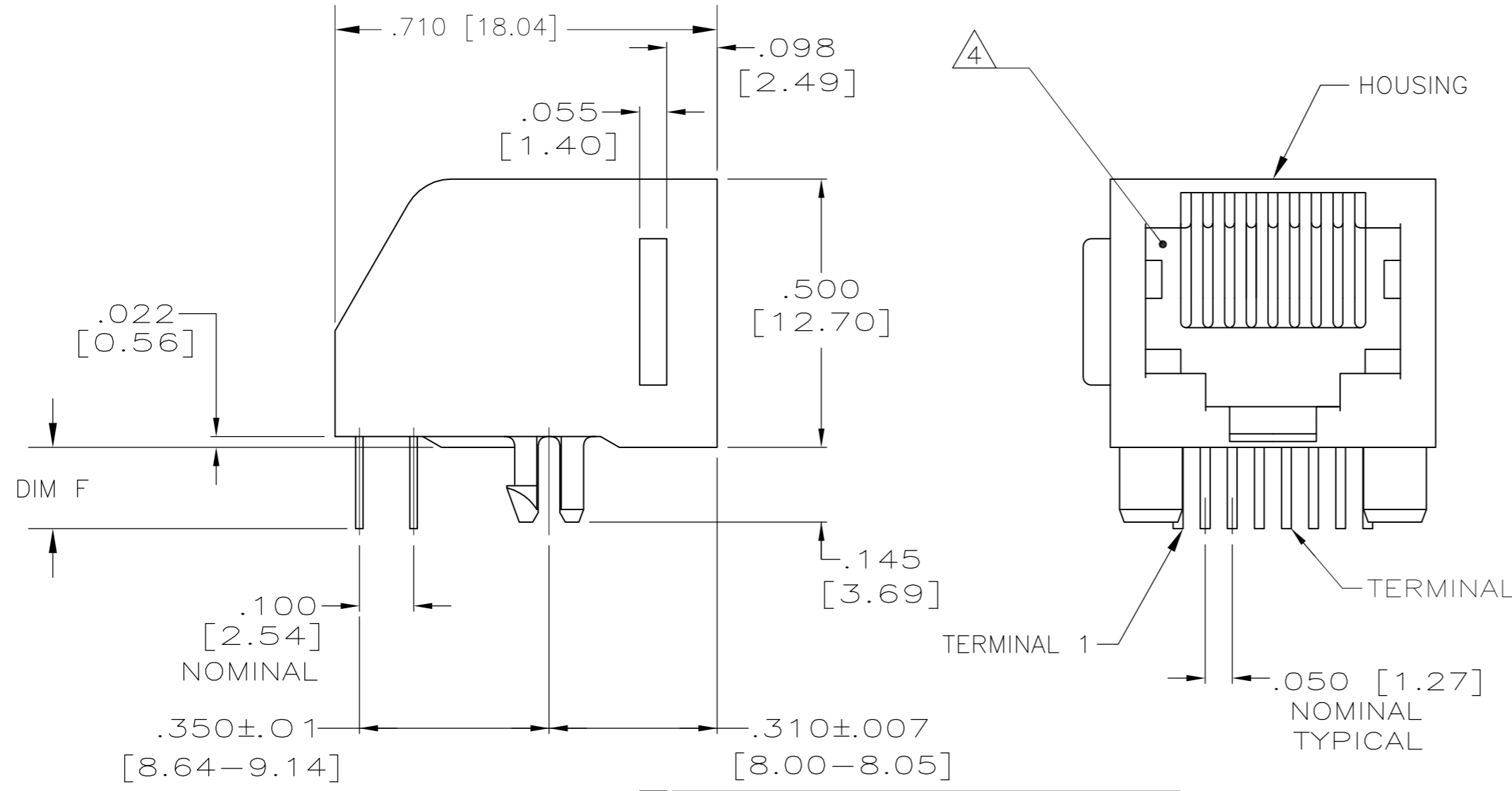
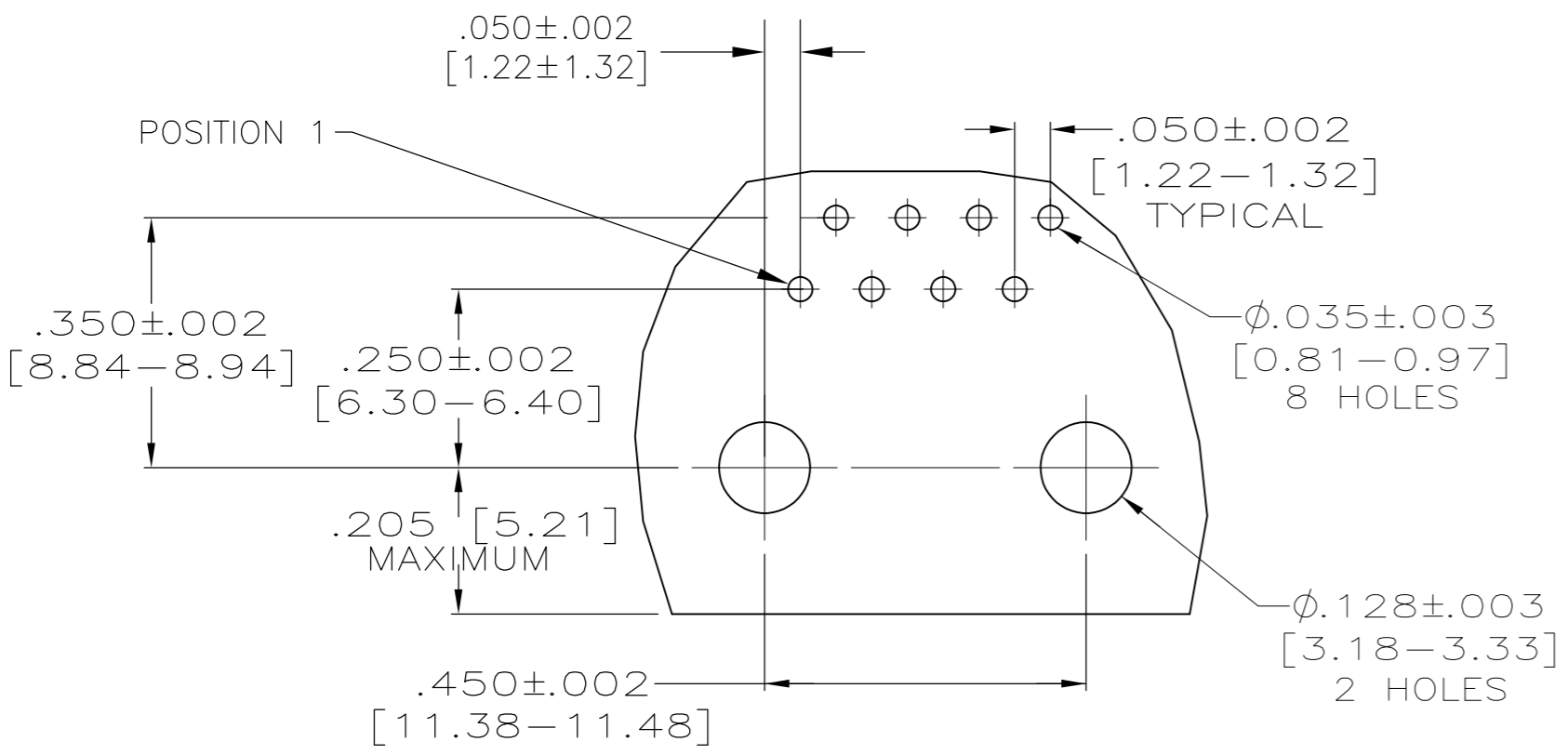
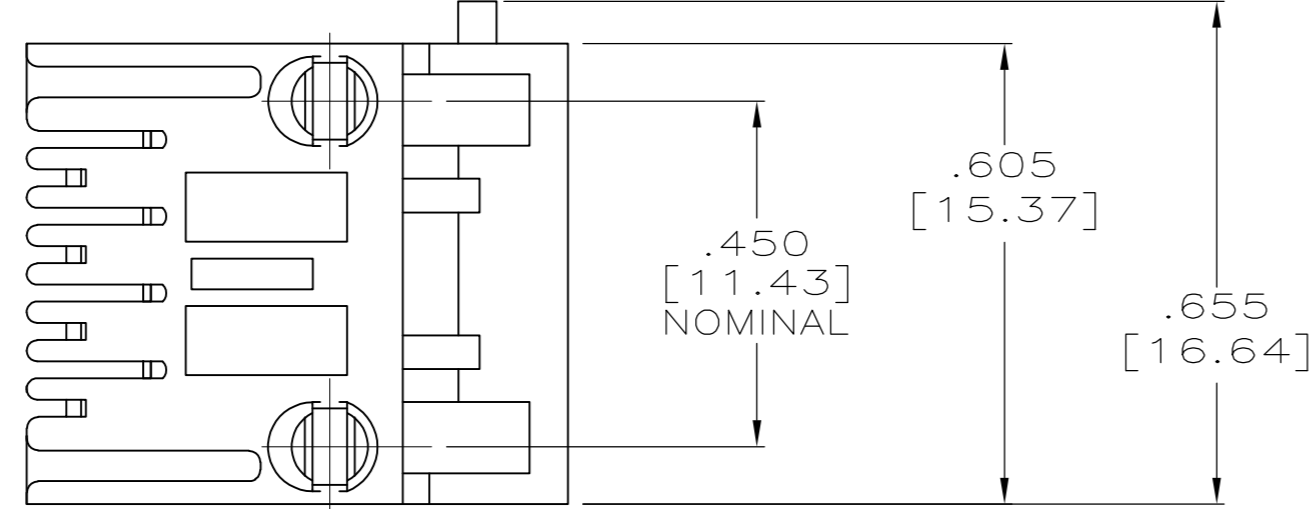


THIS DRAWING IS UNPUBLISHED. RELEASED FOR PUBLICATION
 © COPYRIGHT BY TYCO ELECTRONICS CORPORATION. ALL RIGHTS RESERVED.

LOC	DIST	REVISIONS					
AA	00	P	LTR	DESCRIPTION	DATE	DWN	APVD
		C		ECO-08-012346	20MAY2008	LAM	PR



- 1. DIMENSIONS ARE MAXIMUM UNLESS OTHERWISE SPECIFIED.
- 2. DIMENSIONS IN BRACKETS [] ARE IN MILLIMETERS.
- 3. MATERIAL: HOUSING - PBT POLYESTER, BLACK.
 TERMINAL - .014[0.36] THICK PHOS-BRONZE PLATED WITH .000050 [1.27µm] MINIMUM THICK HARD GOLD IN LOCALIZED GOLD PLATE AREA AND .000150 [3.81µm] MINIMUM THICK MATTE TIN IN SOLDER AREA OVER .000050 [1.27µm] MINIMUM THICK NICKEL UNDERPLATE.
- 4. CAVITY CONFORMS TO FCC RULES AND REGULATIONS PART 68, SUBPART F.



SUGGESTED PRINTED CIRCUIT BOARD LAYOUT
 COMPONENT SIDE

.11±.01 [2.79±0.51]	5555988-2
.15±.02 [3.81±0.51]	5555988-1
DIM F	PART NO

THIS DRAWING IS A CONTROLLED DOCUMENT.		DWN G. ATTADIA - DOCK5 09JUN2005	Tyco Electronics Corporation Harrisburg, PA 17105-3608	
DIMENSIONS: mm[INCHES]		CHK J. WESTMAN 09JUN2005	NAME S. FLICKINGER 09JUN2005	
TOLERANCES UNLESS OTHERWISE SPECIFIED:		APVD S. FLICKINGER 09JUN2005	PRODUCT SPEC 108-1163	
0 PLC ± -		APPLICATION SPEC 114-2048		
1 PLC ± -		WEIGHT -		
2 PLC ± -		SIZE A2		
3 PLC ± -		CAGE CODE 00779		
4 PLC ± -		DRAWING NO C=5555988		
ANGLES ± -		RESTRICTED TO -		
FINISH SEE NOTE 3		SCALE 1:1		
SEE NOTE 3		SHEET 1 OF 1		
CUSTOMER DRAWING		REV C		

5555988