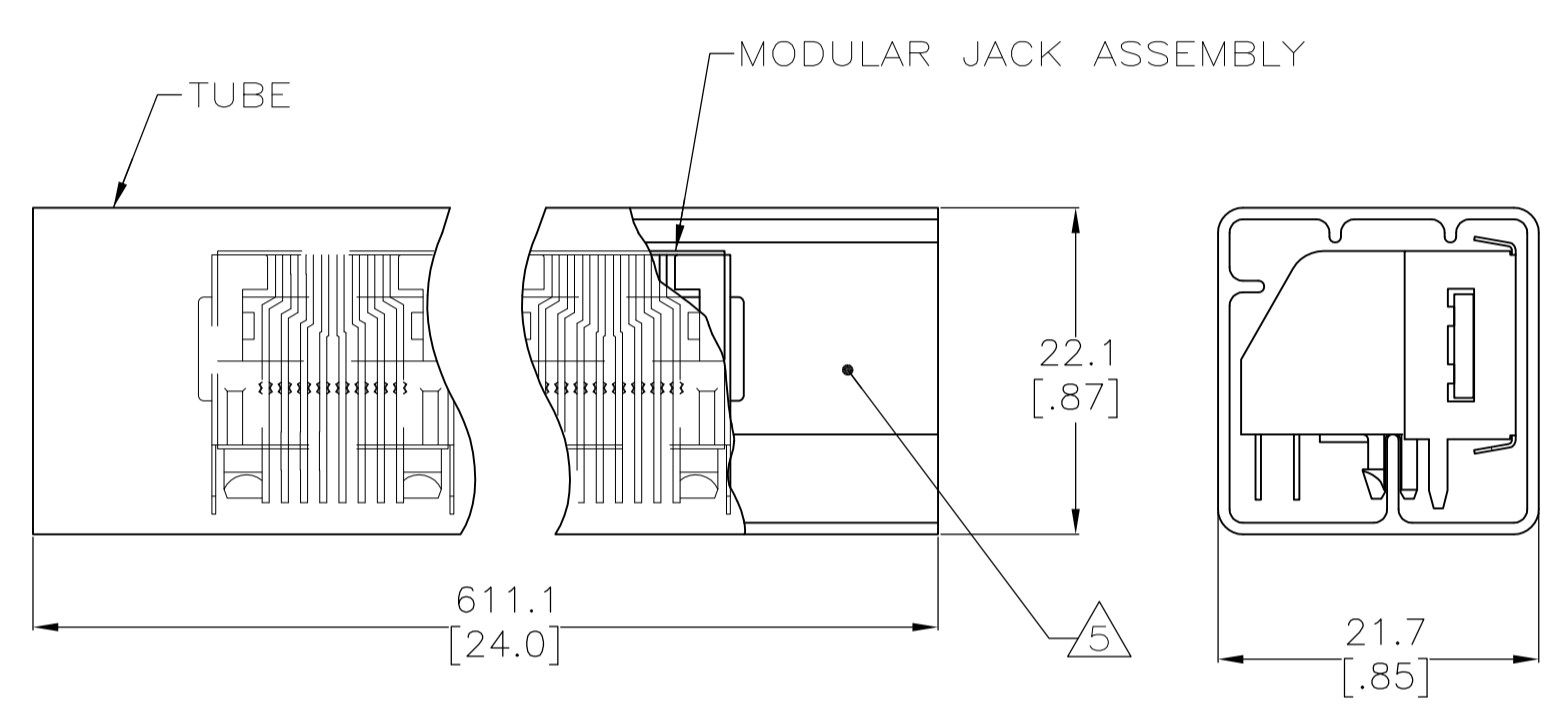
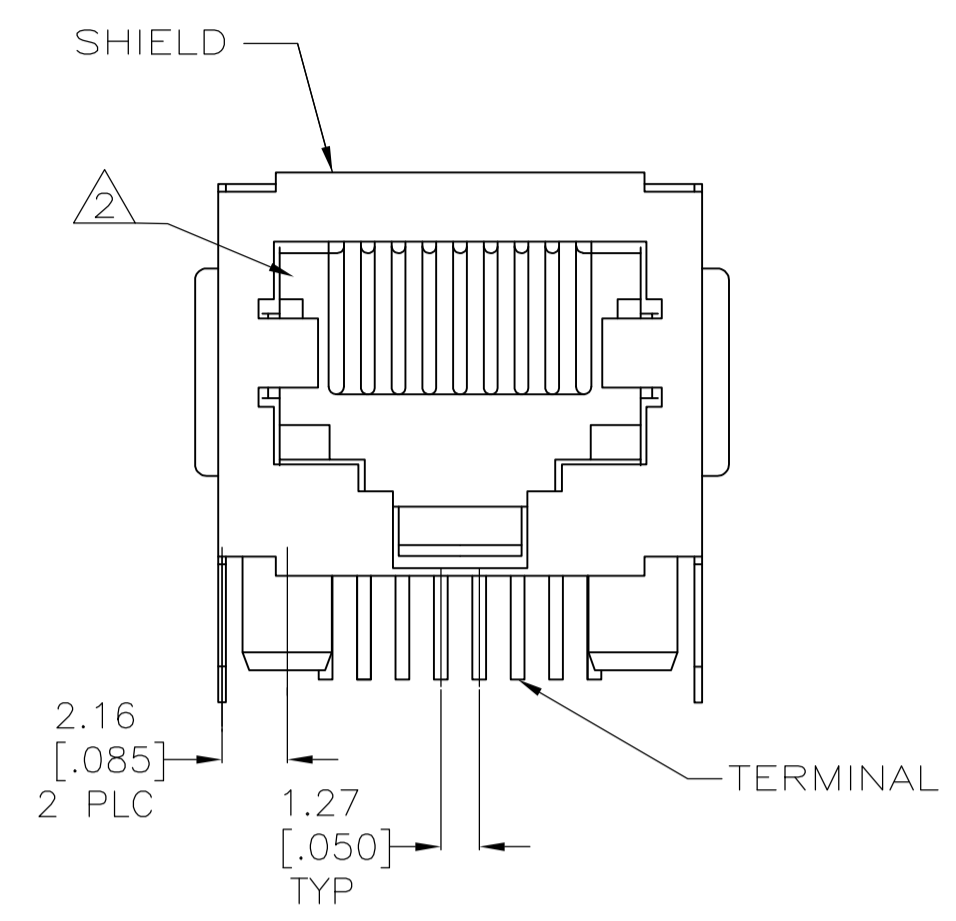
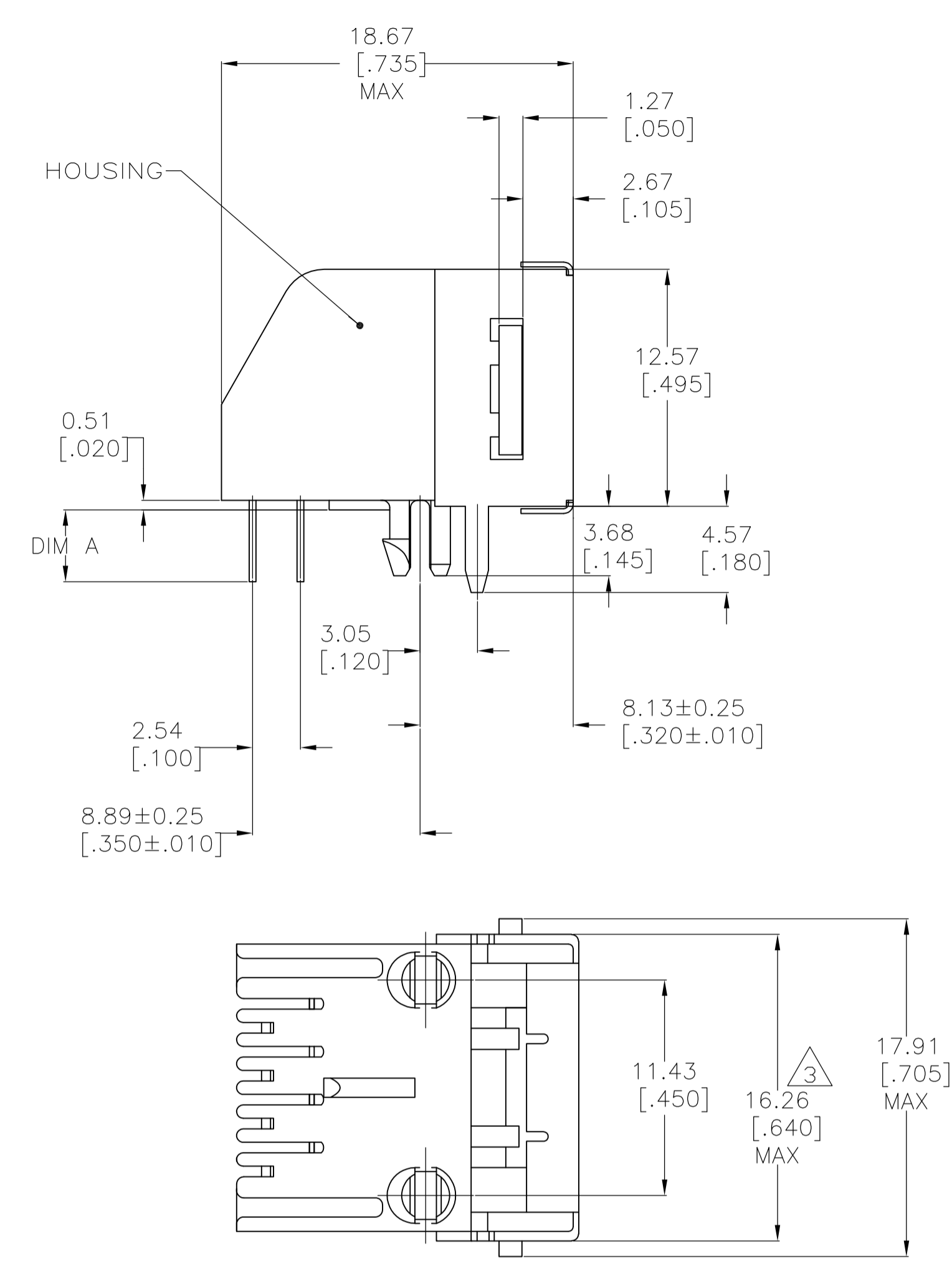
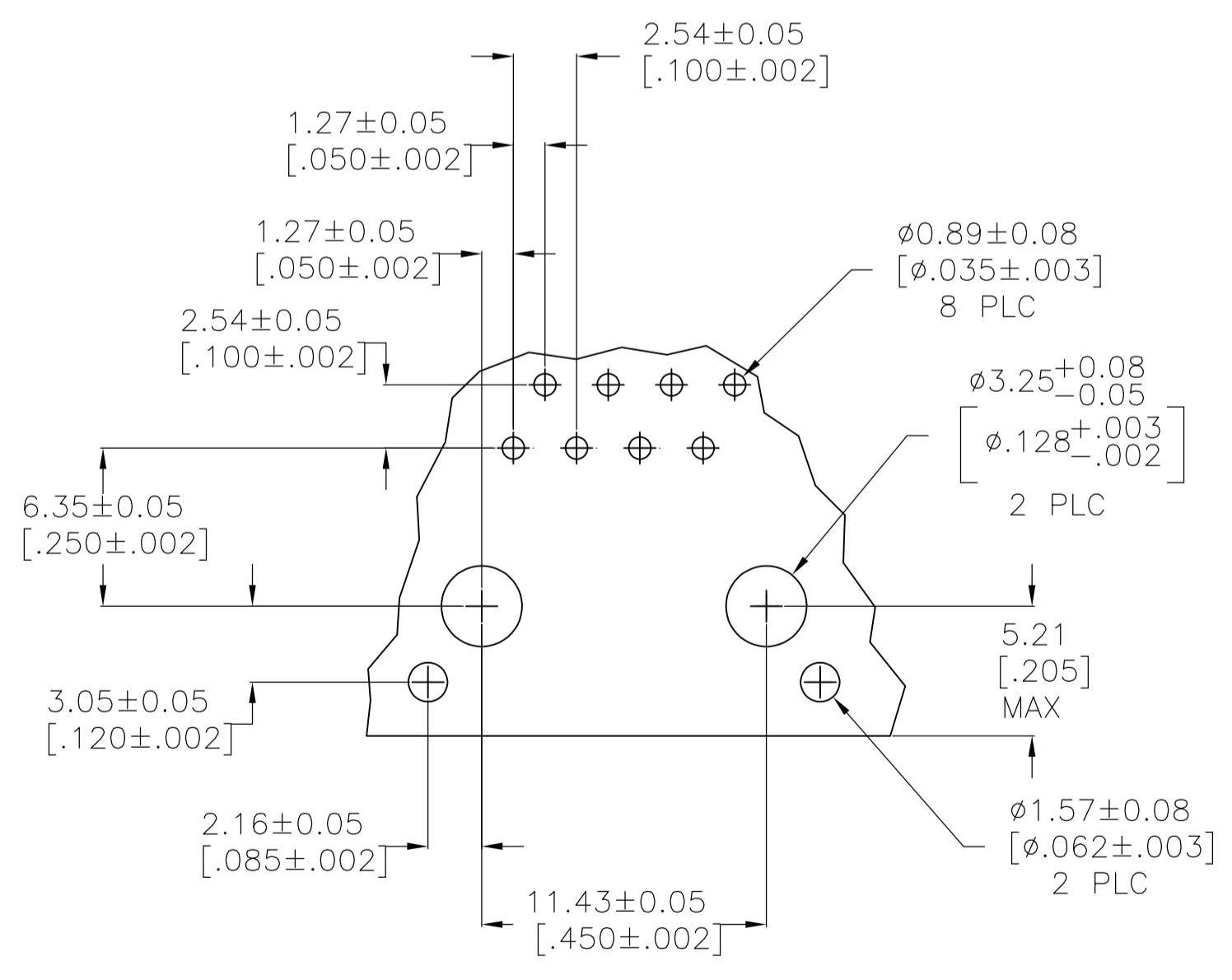


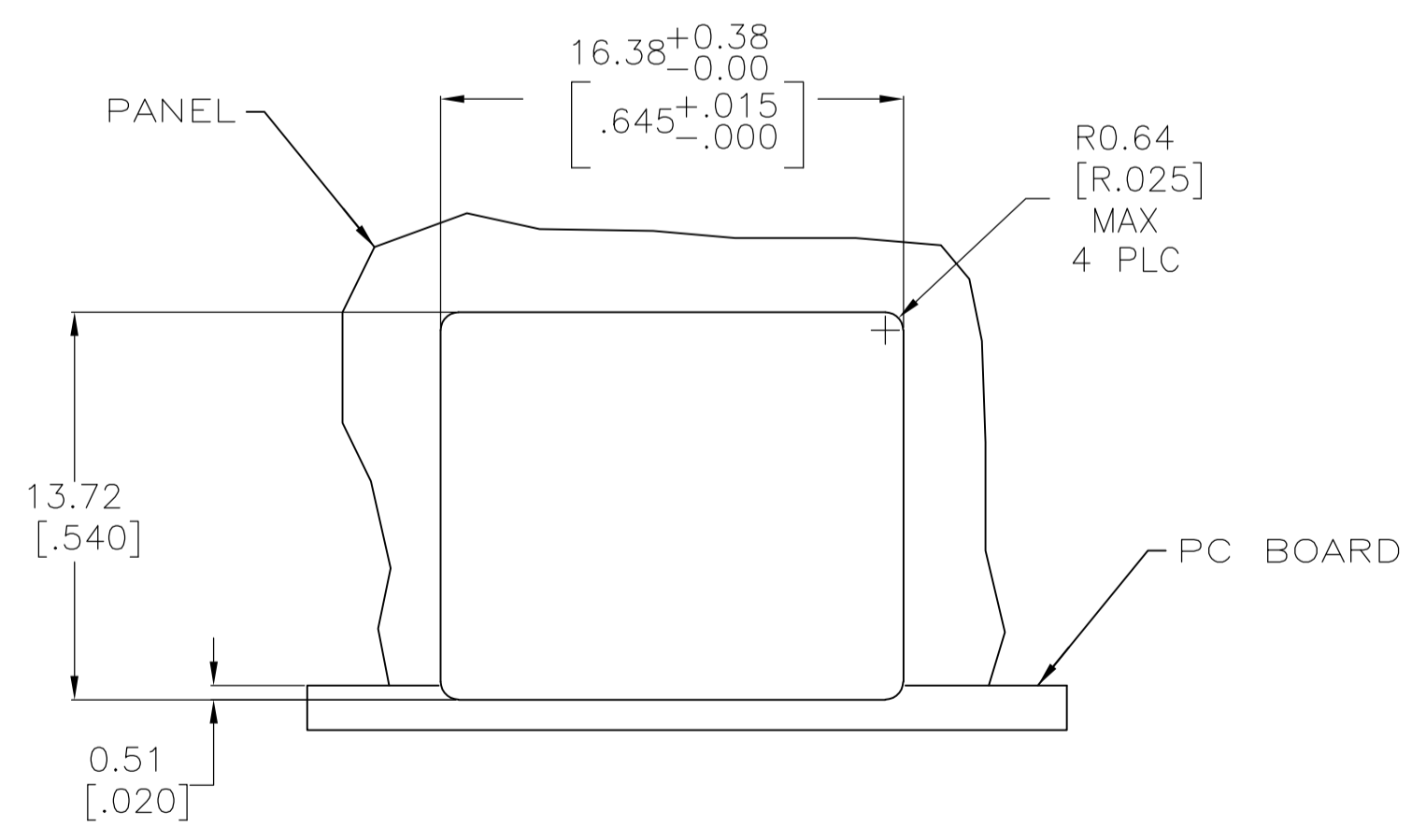
REVISIONS					
P	LTR	DESCRIPTION	DATE	DMN	APVD
D2		REVISE PER ECO-16-008229	31MAY2016	AD	SH



DETAIL B
SCALE 2:1



RECOMMENDED PRINTED CIRCUIT BOARD LAYOUT
(COMPONENT SIDE)



RECOMMENDED PANEL CUTOUT

- MATERIAL:
HOUSING - PBT POLYESTER, COLOR: BLACK
TERMINAL - 0.36[.014] THICK PHOS BRONZE PLATED WITH 1.27 μ m [.000050] THICK HARD GOLD IN LOCALIZED GOLD PLATE AREA AND 2.03 μ m [.000080] THICK MATTE TIN IN SOLDER AREA OVER 1.27 μ m [.000050] THICK NICKEL UNDERPLATE
SHIELD - 0.25 [.010] THICK COPPER ALLOY PLATED WITH 3.0 μ m [.000120] MINIMUM THICK REFLOWED TIN
- △2 CAVITY CONFORMS TO FCC RULES AND REGULATIONS PART 68, SUBPART F.
 - △3 DIMENSIONS MEASURED ALONG FRONT EDGES OF MATING FACE
 - △4 BULK PACKAGED IN A TRAY
 - △5 32 ASSEMBLIES PACKAGED PER TUBE. SEE DETAIL B
 - △6 MATERIAL OF HOUSING: HIGH TEMPERATURE THERMOPLASTIC. COLOR: BLACK

3.30-4.32 [.15±.02]	△4	1-5555153-1
1.78-2.79 [.09±.02]	△4	5555153-6
2.54-3.05 [.11±.01]	△4	5555153-5
3.30-4.32 [.15±.02]	△5	5555153-3
3.30-4.32 [.15±.02]	△4	5555153-1
DIM A	PACKAGED	PART NUMBER

DIMENSIONS:		TOLERANCES UNLESS OTHERWISE SPECIFIED:		APPROVED:		NAME:	
mm	[INCHES]	0 PLC	±	APVD	DATE	DMN	APVD
		1 PLC	±	G. GARRETT/L.A. MAYER	05NOV2007	P. RECCE	05NOV2007
		2 PLC	±	S. FLICKINGER	05NOV2007	S. FLICKINGER	05NOV2007
		3 PLC	±				
		4 PLC	±				
		ANGLES	±				
MATERIAL SEE NOTE 1		FINISH SEE NOTE 1		WEIGHT		CUSTOMER DRAWING	
				0.000000		SCALE 4:1 SHEET 1 OF 1 REV D2	