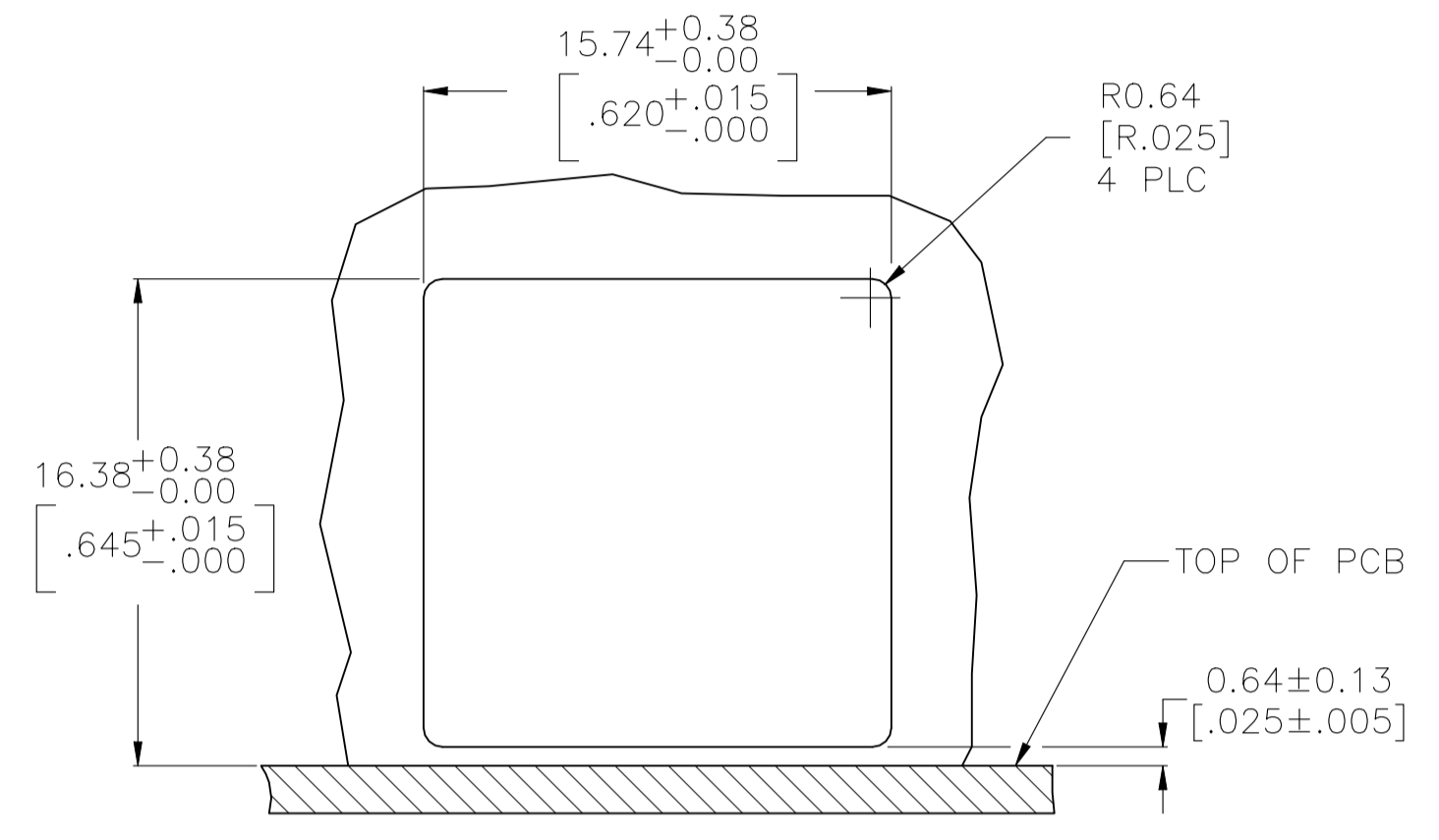
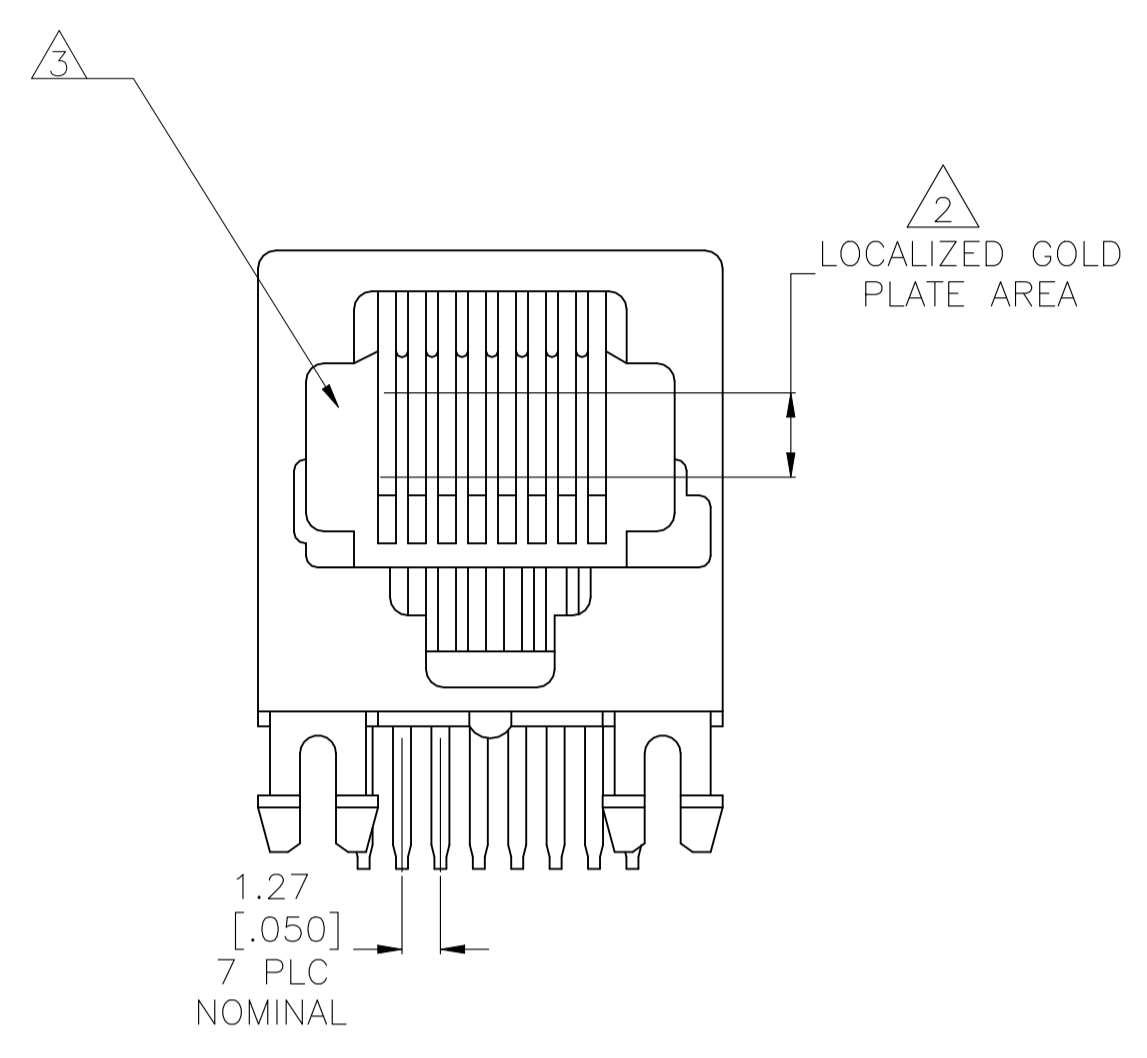
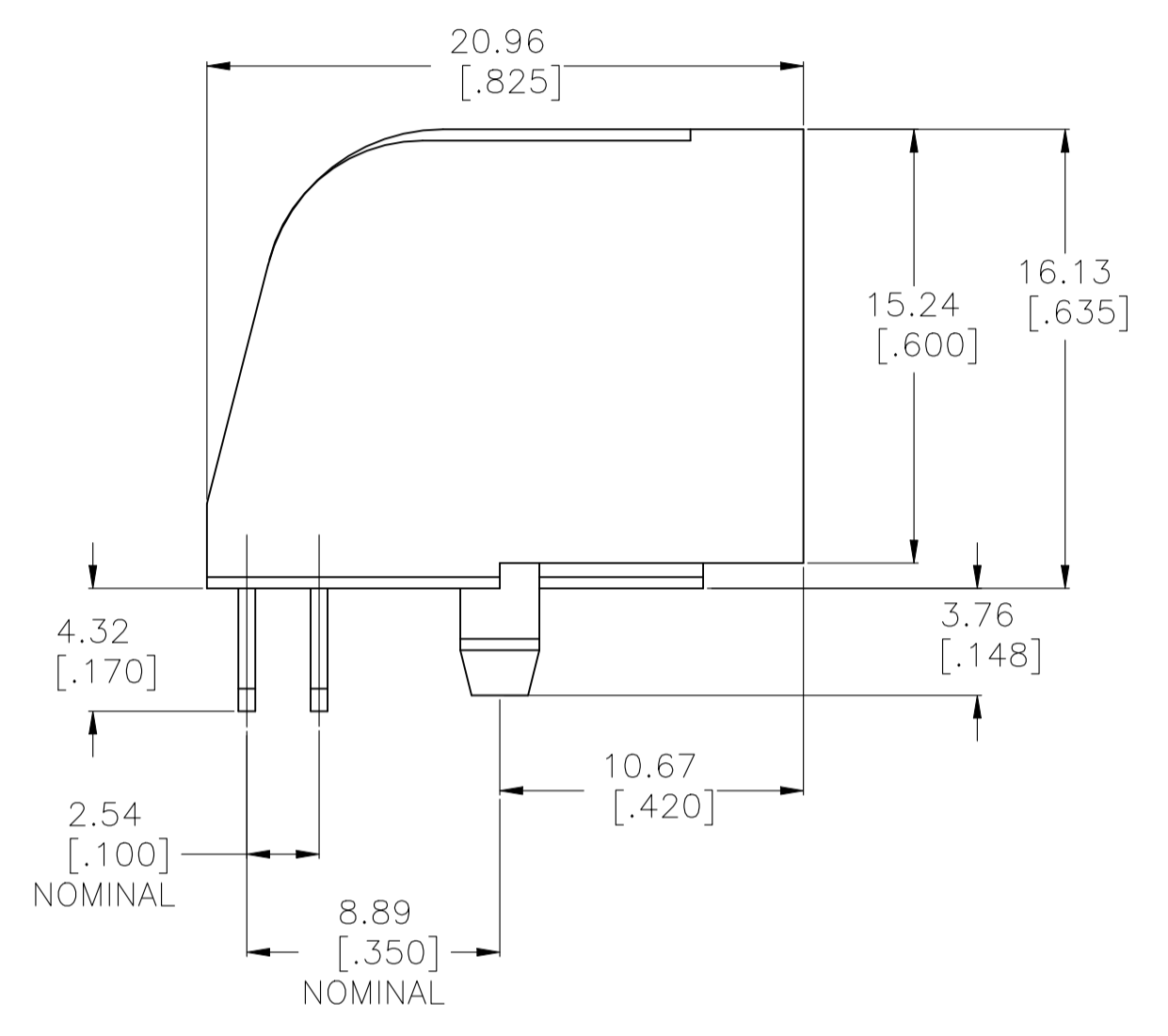
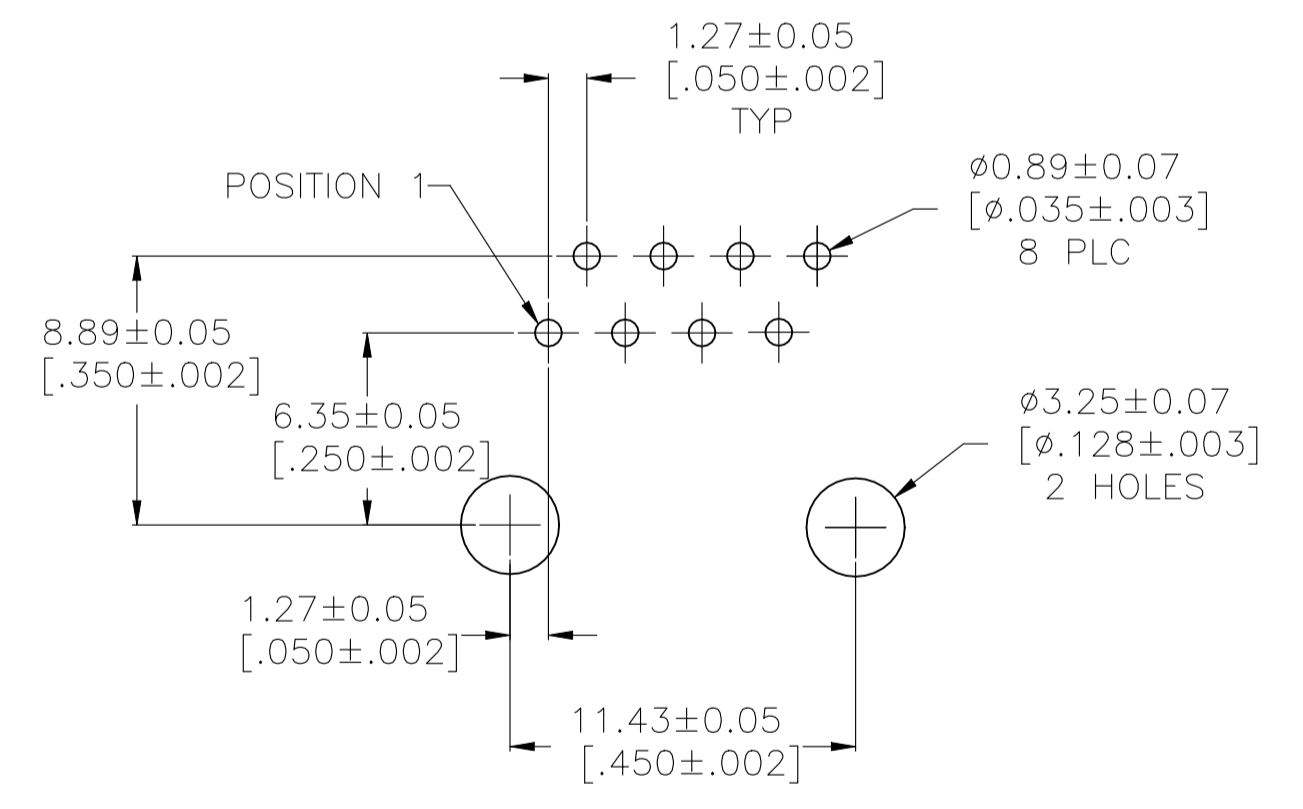
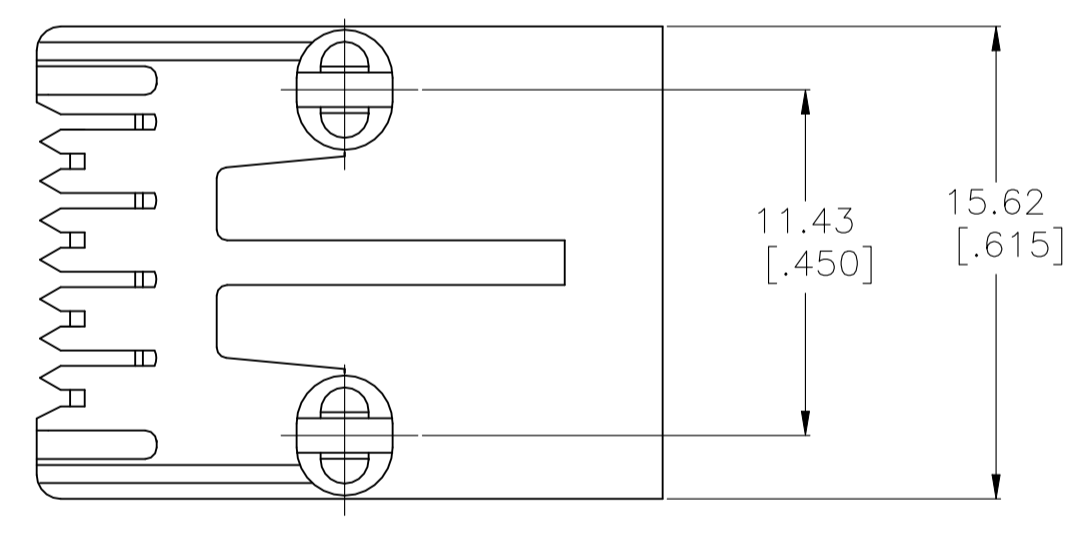


REVISIONS					
REV	DATE	DESCRIPTION	BY	CHK	APP'D
B2	04JUL22	REVISED PER ECN-22-162295	RR	SZ	

- MATERIAL: HOUSING PBT POLYESTER, COLOR: BLACK. TERMINAL-0.36 [.014] THICK PHOS-BRONZE PLATED WITH 1.27um [.000050] MINIMUM THICK HARD GOLD IN LOCALIZED GOLD PLATE AREA AND 3.81um [.000150] MINIMUM THICK MATTE TIN IN SOLDER AREA OVER 1.27um [.000050] MINIMUM THICK NICKEL UNDERPLATE.
- CAVITY CONFORMS TO FCC RULES AND REGULATIONS PART 68 AND REA BULLETIN 345-81, PE-76 SPECIFICATION FOR MODULAR TELEPHONE HARDWARE.
- ALL DIMENSIONS SHOWN ARE MAXIMUM UNLESS OTHERWISE SPECIFIED.



RECOMMENDED PANEL CUTOUT



RECOMMENDED PRINTED CIRCUIT BOARD LAYOUT COMPONENT SIDE SHOWN

5554517-1
PART NUMBER

THIS DRAWING IS A CONTROLLED DOCUMENT.		DIN	30AUG2007	L.A.MAYER	
DIMENSIONS: mm [INCHES]		CHK	30AUG2007	P.RECCCE	
TOLERANCES UNLESS OTHERWISE SPECIFIED:		APP'D	30AUG2007	S.FLICKINGER	
0 PLC	± -	NAME			
1 PLC	± -	MODULAR JACK ASSEMBLY,			
2 PLC	± 0.13[.005]	SIDE ENTRY, 8 P. KEYED,			
3 PLC	± -	FLANGELESS, W/O PANEL STOPS			
4 PLC	± -	APPLICATION SPEC			
ANGLES	± -	SIZE	CAGE CODE	DRAWING NO	RESTRICTED TO
MATERIAL	SEE NOTE 1	WEIGHT	0.000000	A1 00779	5554517
FINISH	SEE NOTE 1	CUSTOMER DRAWING	SCALE	4:1	SHEET 1 of 1 REV B2