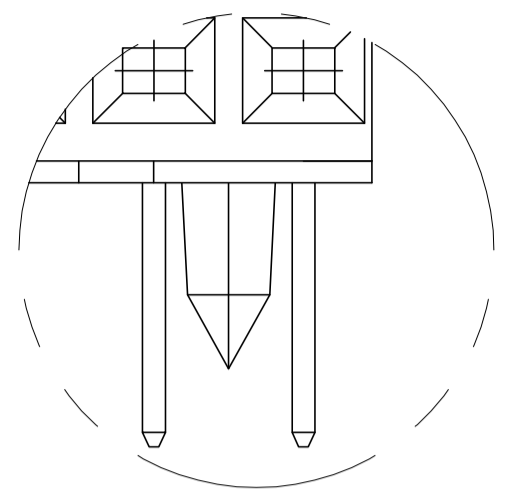
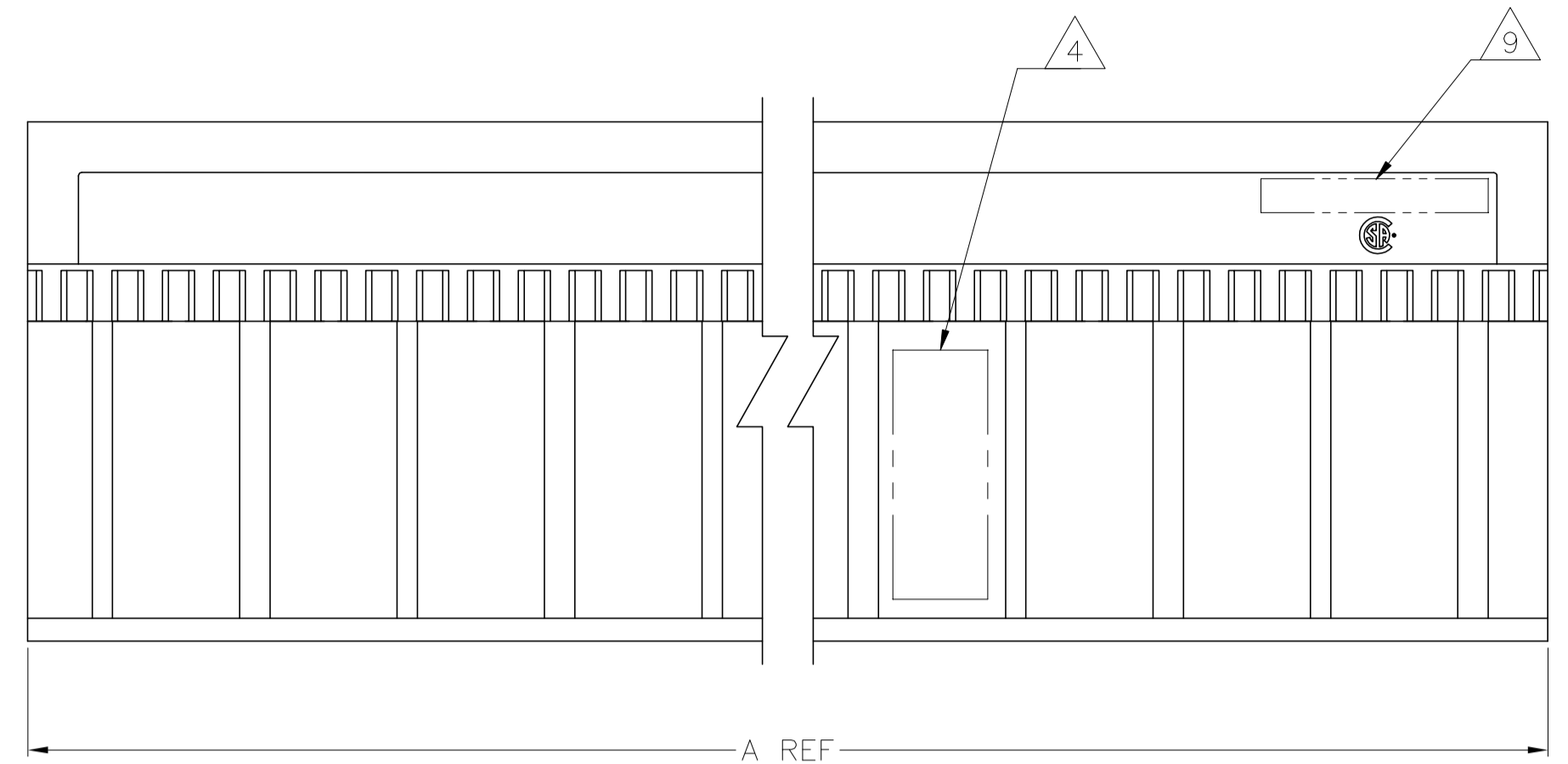
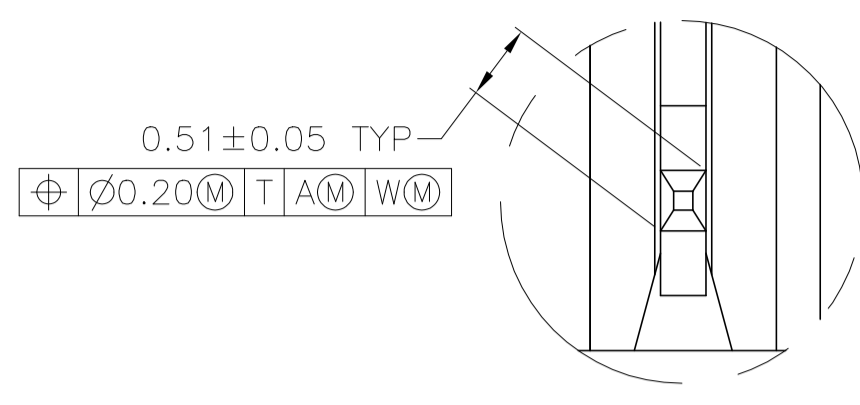


| REVISIONS |     |                           |           |       |
|-----------|-----|---------------------------|-----------|-------|
| P         | LTR | DESCRIPTION               | DATE      | APVD  |
| B         |     | REVISED PER ECO-18-018290 | 03OCT2019 | AP DS |

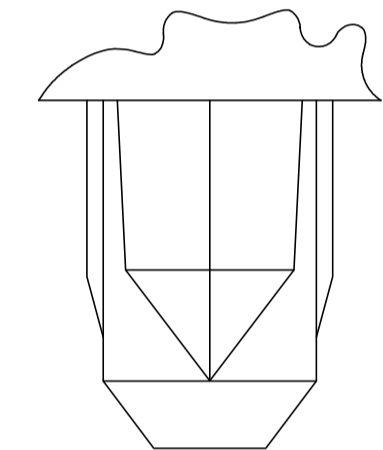


DETAIL X  
SCALE 10:1

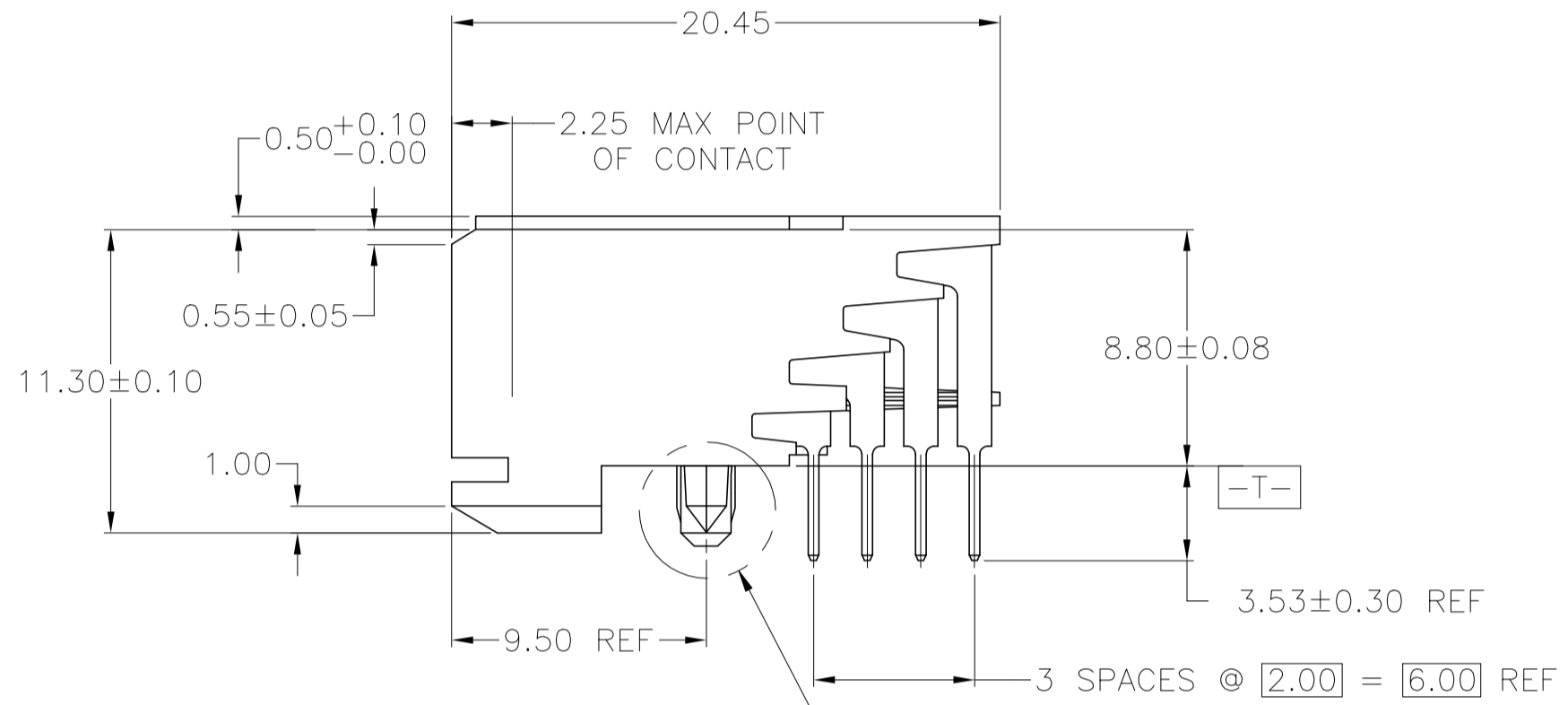
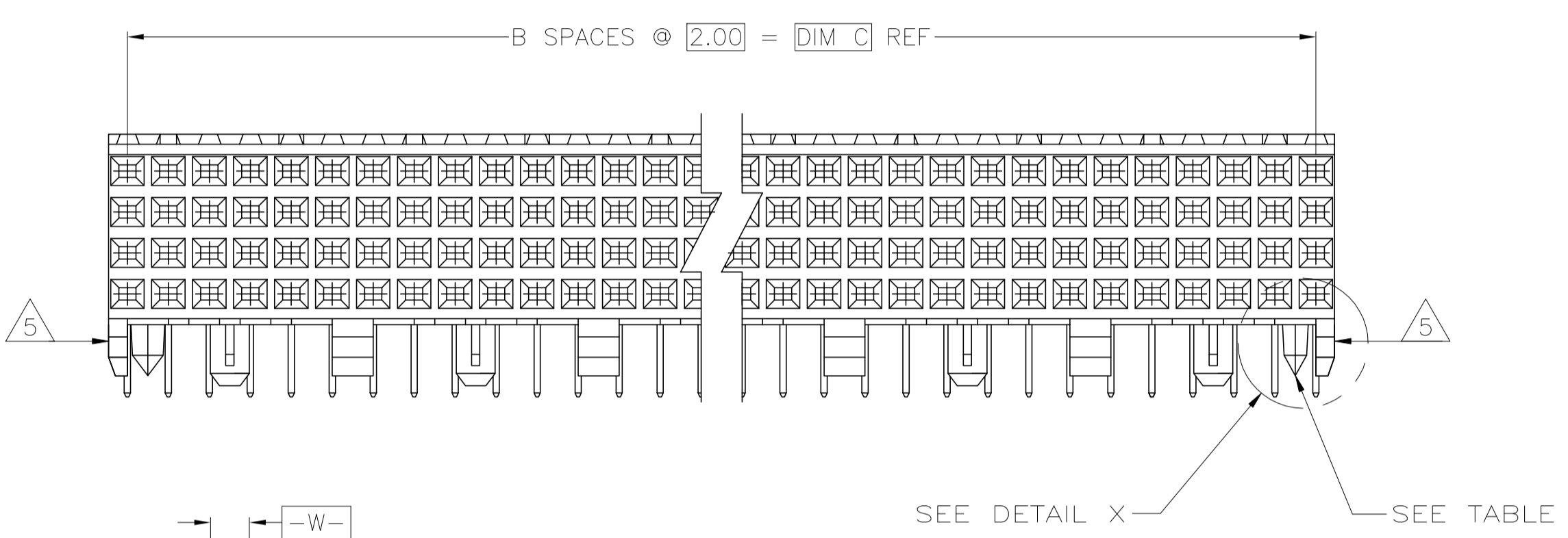


DETAIL Z  
SCALE 20:1

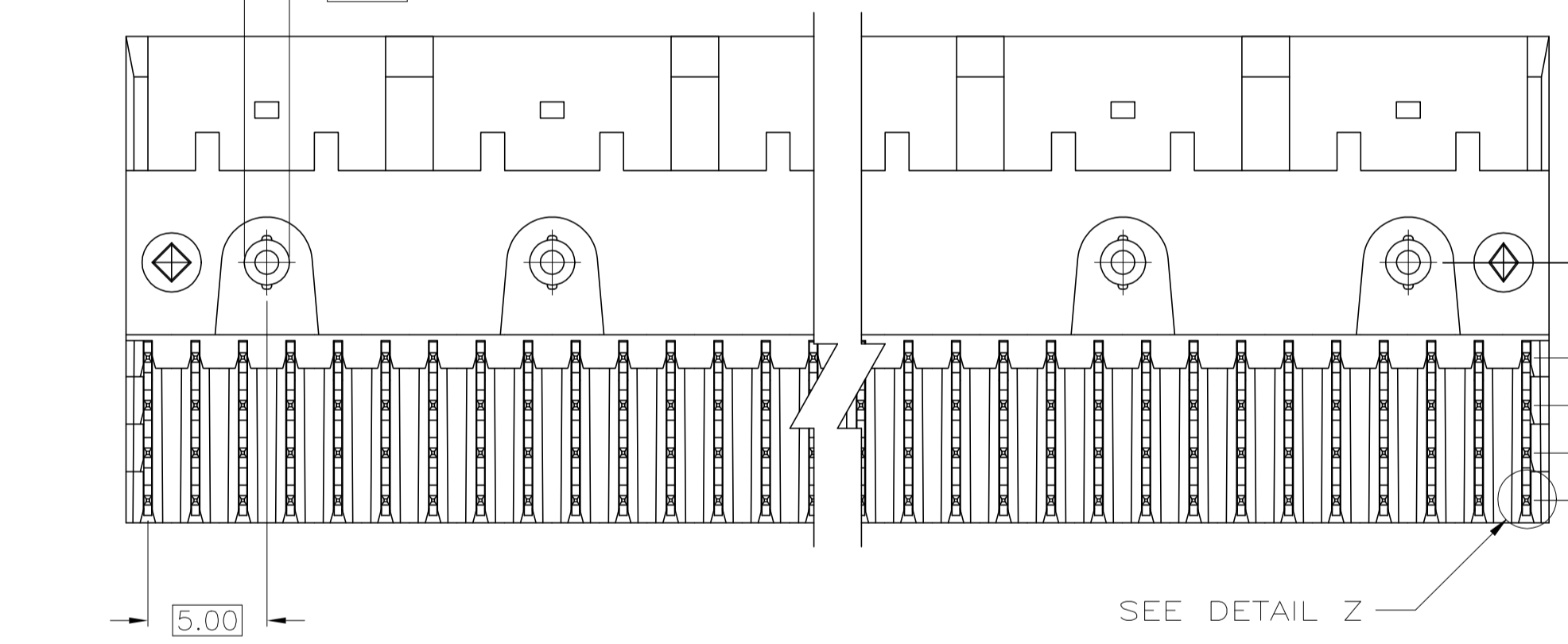
- 1 HOUSING MATERIAL: LIQUID CRYSTAL POLYMER.  
COLOR: NATURAL.
- 2 CONTACT MATERIAL: PHOSPHOR-BRONZE.
- 3 CONTACT FINISH:  
UNDERPLATE (ENTIRE CONTACT) -  
0.00127 MIN NICKEL PER SAE-AMS-QQ-N-290.  
ON MATING SURFACES-  
CONFORMS TO ALL TESTING SPECIFIED FOR TELCORDIA  
UNCONTROLLED ENVIRONMENT  
ON LEADS-  
0.00381 MIN TIN PER ASTM B 545, OVER UNDERPLATE  
LUBRICATION (MIN MATING SURFACES):  
SURFACE CONDITIONER AFTER PLATING.
- 4 PART MARKING, LOCATED APPROXIMATELY AS SHOWN.
- 5 CUSTOMIZED PART, HOUSING MOLDED WITHOUT END GUIDE LUGS.
- 6 OBSOLETE PART NUMBER.
- 7 CONTACT FINISH:  
UNDERPLATE (ENTIRE CONTACT) -  
0.00127 MIN NICKEL PER SAE-AMS-QQ-N-290.  
ON MATING SURFACES-  
CONFORMS TO ALL TESTING SPECIFIED FOR TELCORDIA  
UNCONTROLLED ENVIRONMENT  
ON LEADS-  
FLASH GOLD PER ASTM B 488, OVER UNDERPLATE  
LUBRICATION (MIN MATING SURFACES):  
SURFACE CONDITIONER AFTER PLATING.
- 8 OBSOLETE PARTS: OBSOLETE CIS STREAMLINING PER  
D.RENAUD/D.SINISI
- 9 TE OR TE CONNECTIVITY LOGO IS LOCATED.



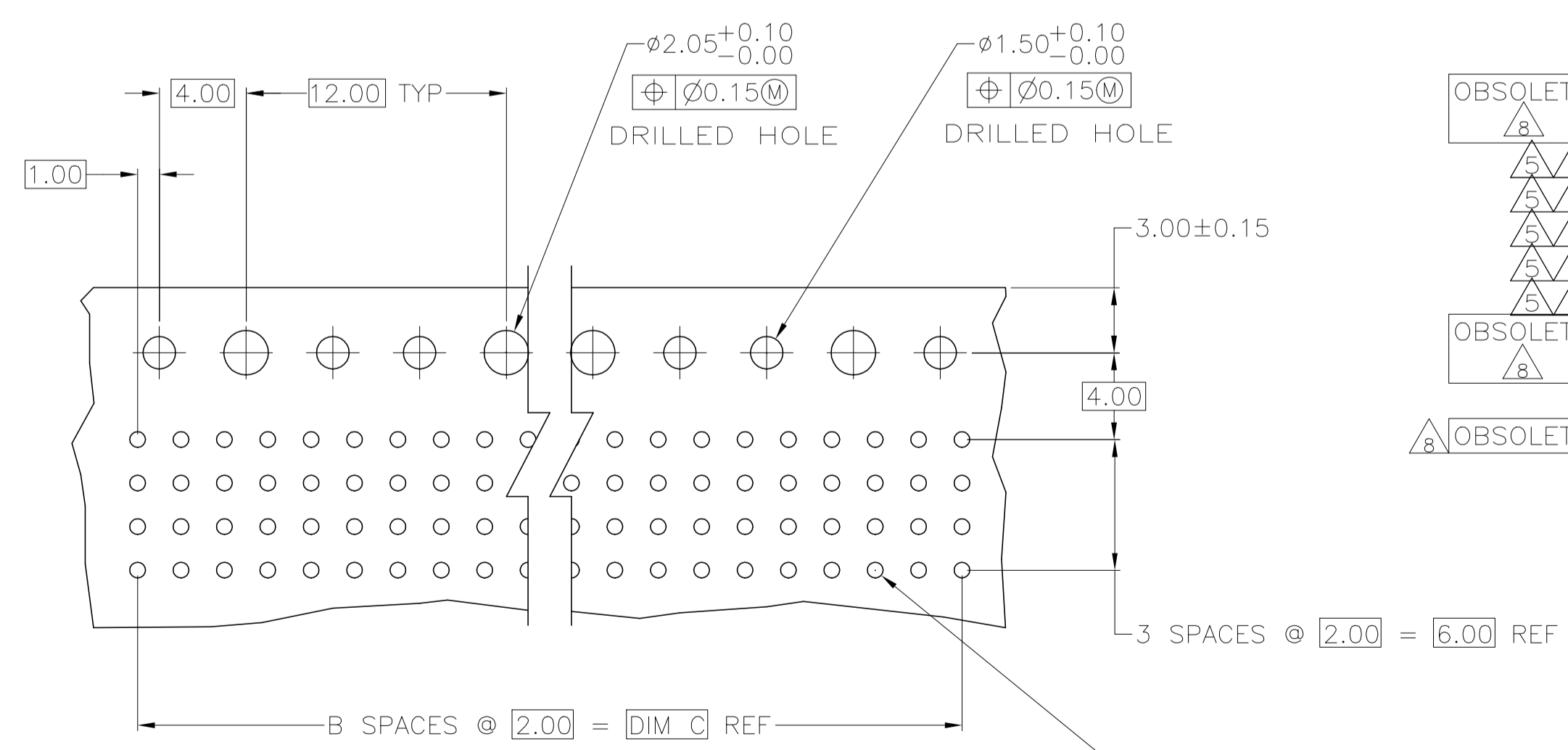
TYPICAL COLD HOLD  
FOR ALL ASSEMBLIES



REFER TO DETAIL FOR COLD  
HOLD CONFIGURATION



SEE DETAIL Z



RECOMMENDED CIRCUIT PATTERN  
PER IPC-D300 TYPE II, CLASS C  
(COMPONENT SIDE)

|  |                  |     |    |        |        |             |             |
|--|------------------|-----|----|--------|--------|-------------|-------------|
|  | NO               | 70  | 35 | 71.88  | 144    | 2-5536510-8 |             |
|  | NO               | 94  | 47 | 95.88  | 192    | 2-5536510-7 |             |
|  | NO               | 46  | 23 | 47.88  | 96     | 2-5536510-6 |             |
|  | NO               | 22  | 11 | 23.88  | 48     | 2-5536510-5 |             |
|  | YES              | 94  | 47 | 95.88  | 192    | 2-5536510-4 |             |
|  | YES              | 46  | 23 | 47.88  | 96     | 2-5536510-3 |             |
|  | NO               | 34  | 17 | 35.88  | 72     | 1-5536510-5 |             |
|  | NO               | 22  | 11 | 23.88  | 48     | 1-5536510-4 |             |
|  | NO               | 94  | 47 | 95.88  | 192    | 1-5536510-3 |             |
|  | NO               | 106 | 53 | 107.88 | 216    | 1-5536510-2 |             |
|  | NO               | 70  | 35 | 71.88  | 144    | 1-5536510-1 |             |
|  | NO               | 130 | 65 | 131.88 | 264    | 1-5536510-0 |             |
|  | NO               | 106 | 53 | 107.88 | 216    | 5536510-9   |             |
|  | NO               | 118 | 59 | 119.88 | 240    | 5536510-8   |             |
|  | NO               | 82  | 41 | 83.88  | 168    | 5536510-7   |             |
|  | NO               | 58  | 29 | 59.88  | 120    | 5536510-6   |             |
|  | NO               | 70  | 35 | 71.88  | 144    | 5536510-5   |             |
|  | NO               | 94  | 47 | 95.88  | 192    | 5536510-4   |             |
|  | NO               | 46  | 23 | 47.88  | 96     | 5536510-3   |             |
|  | NO               | 22  | 11 | 23.88  | 48     | 5536510-2   |             |
|  | YES              | 10  | 5  | 11.88  | 24     | 5536510-1   |             |
|  | POSITIONING PEGS | C   | B  | A      | FINISH | NO OF POSN  | PART NUMBER |

THIS DRAWING IS A CONTROLLED DOCUMENT.

STE TE Connectivity

RECEPTACLE ASSEMBLY, SIGNAL MODULE,  
Z-PACK 2mm FB,4 ROW, 3.53mm LEAD LENGTH

SCALE 4:1 SHEET 1 OF 1 REV B