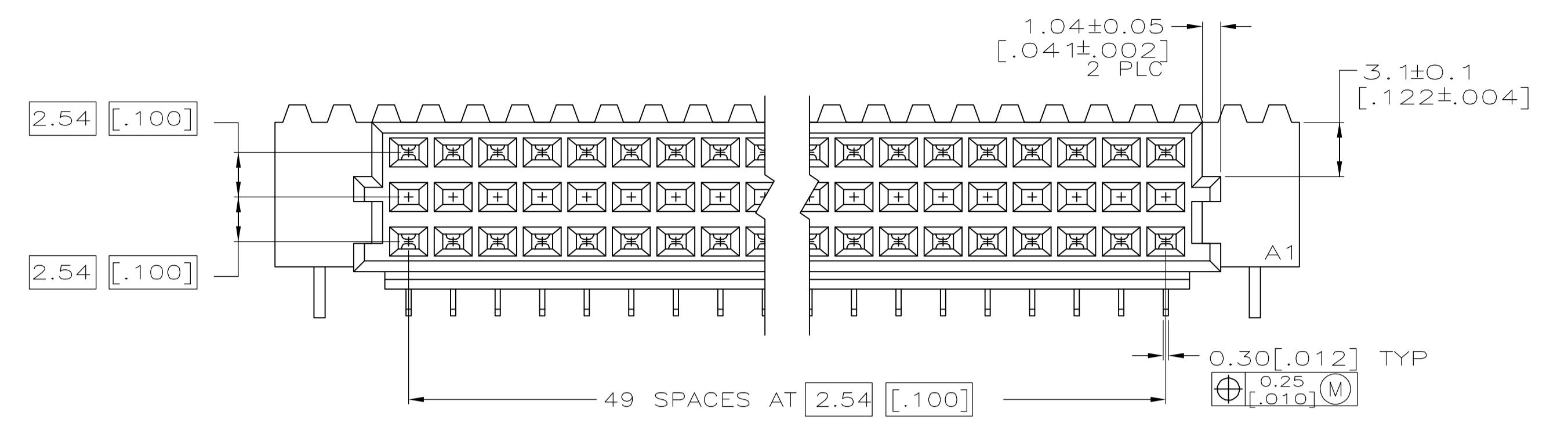
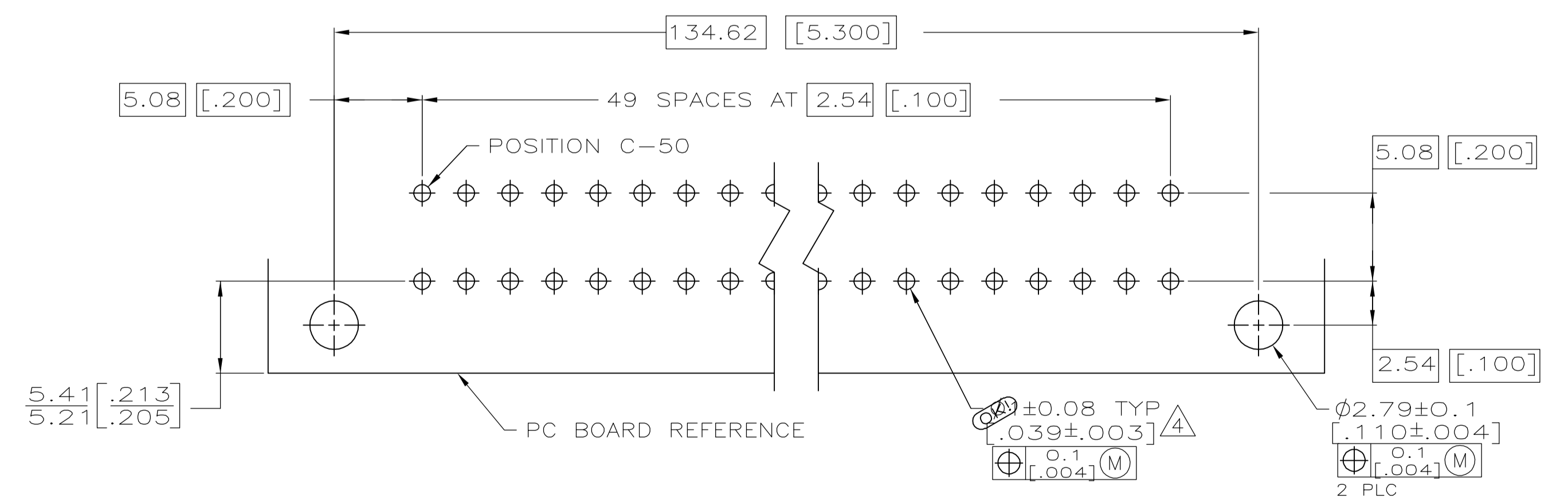
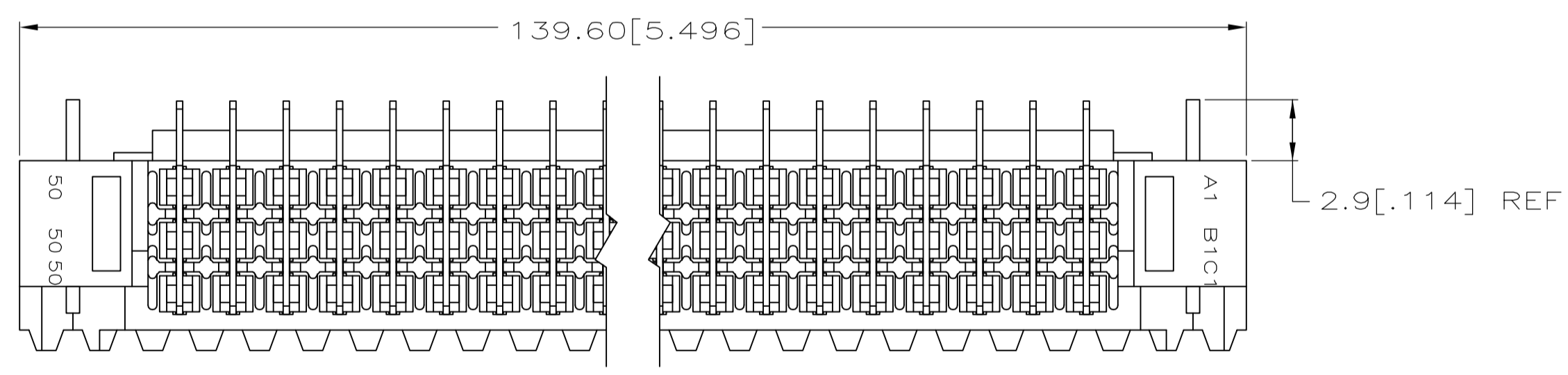
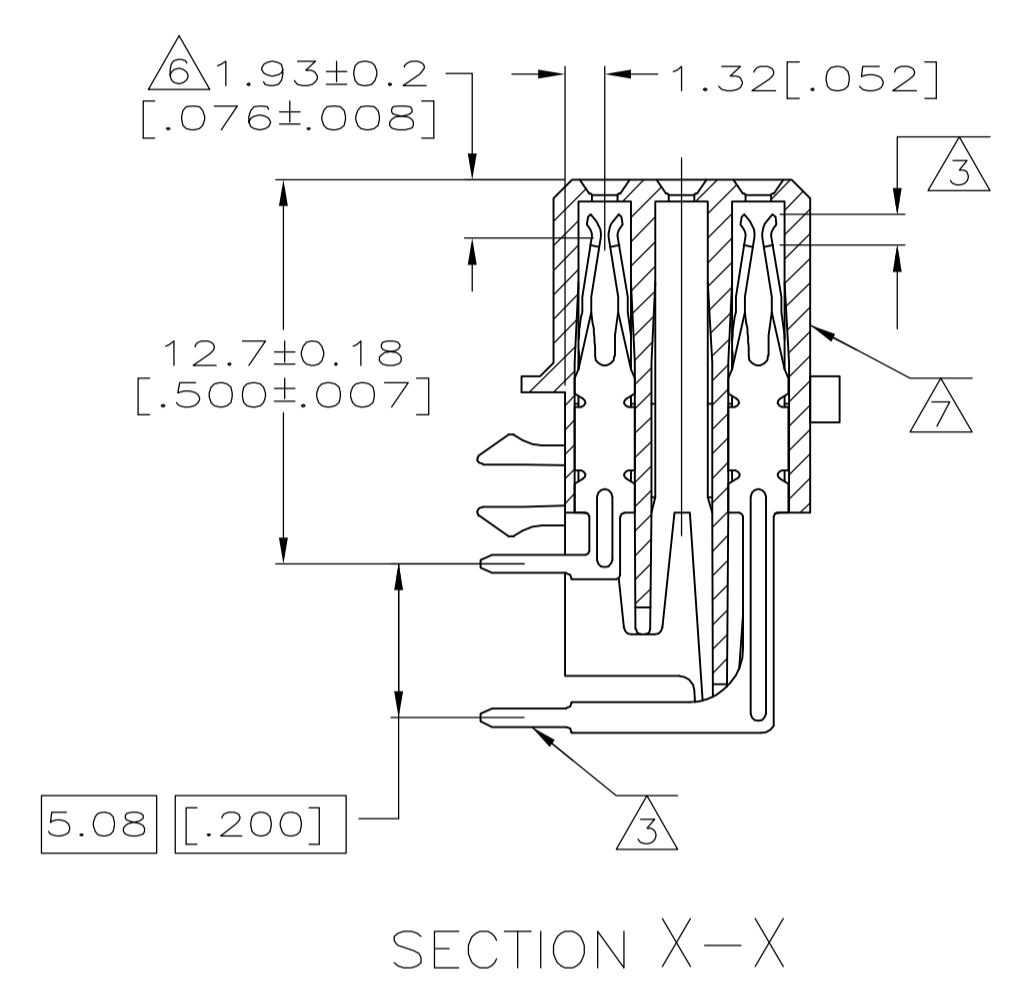
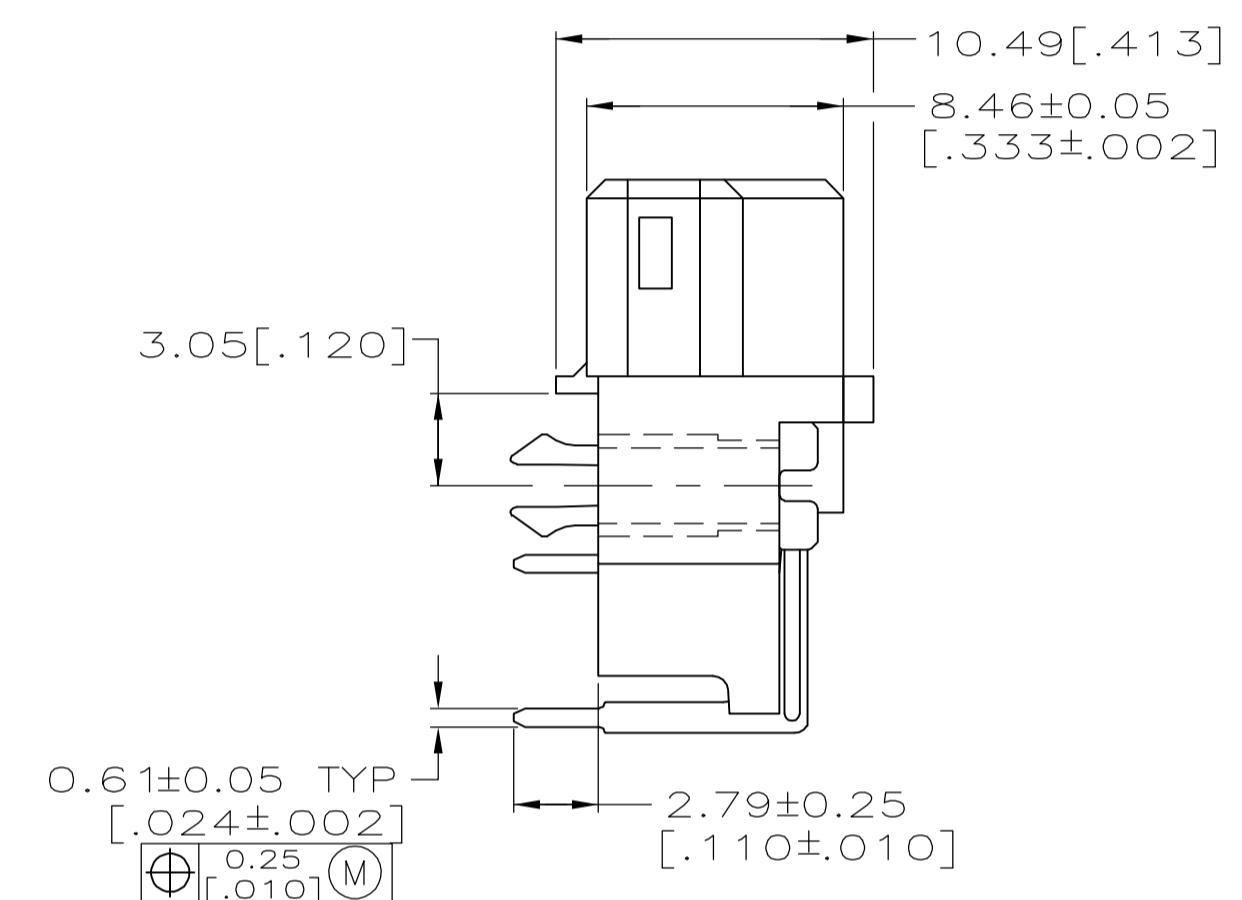
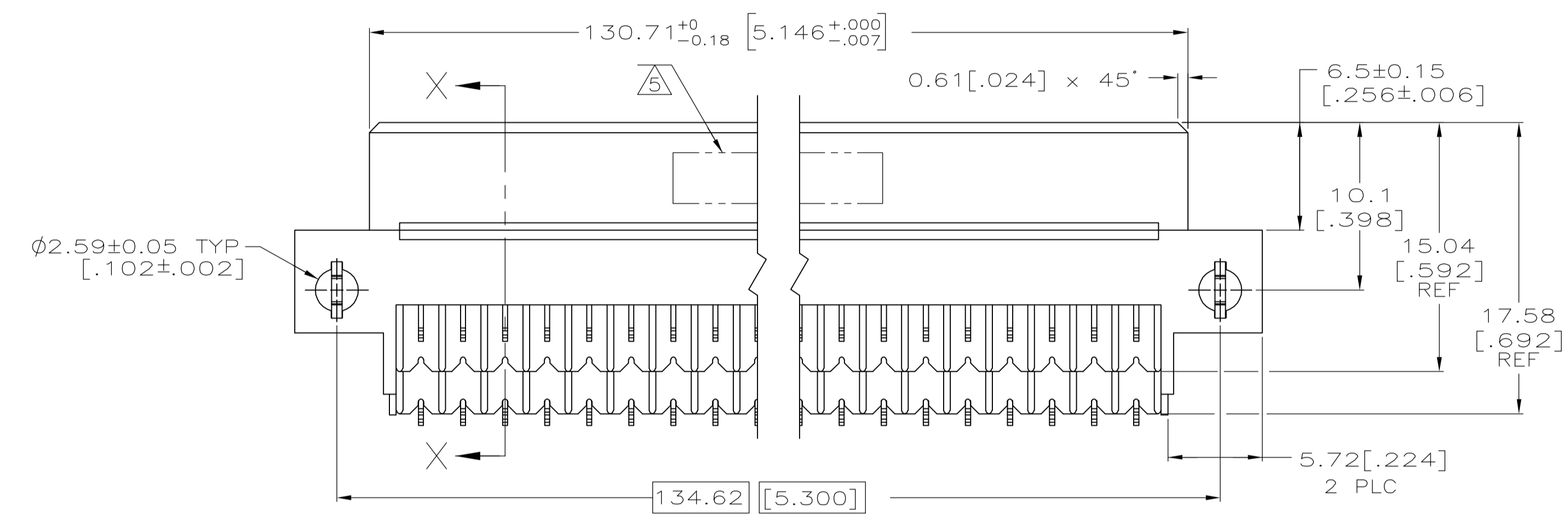


LOC		DIST		REVISIONS			
AD	00	REV	DATE	BY	APP'D		
0			03JUN05	JDP	AMS		



- ① HOUSING MATERIAL: GLASS-FILLED POLYMER.
- ② CONTACT MATERIAL: COPPER ALLOY.
- ③ CONTACT FINISH: DIN 41612 CLASS 2 ON CONTACT AREA. TIN PLATE ON POSTS.
- ④ RECOMMENDED HOLE SIZE FOR MANUAL APPLICATION OF CONNECTOR ONTO PC BOARD.
- ⑤ PART NUMBER, DATE CODE IDENTIFICATION, CSA LOGO THIS APPROXIMATE AREA.
- ⑥ CONTACT POINT.
- ⑦ MARKING ON THIS SIDE.



PC BOARD LAYOUT
 RECOMMENDED PC BOARD THICKNESS 1.57[.062]

1 THRU 50	X	-	X	100	5536016-5
POSITIONS LOADED	C	B	A	NO. OF LOADED POSITIONS	ASSY PART NUMBER

THIS DRAWING IS A CONTROLLED DOCUMENT.		DWG J. POLIGNONE	03JUN05	Tyco Electronics Corporation Harrisburg, PA 17105-3608	
DIMENSIONS: mm [INCHES]		CHK A. SHARPE	03JUN05	NAME ASSEMBLY, RECEPTACLE, EUROCARD, TYPE R, A&C 100/150 POSITION, SOLDER POSTS WITH BOARD-LOCKS	
TOLERANCES UNLESS OTHERWISE SPECIFIED:		APVD A. SHARPE	03JUN05	APPLICATION SPEC 2.79[.110]	
0 PLC ± -	1 PLC ± -	SIZE		CAGE CODE DRAWING NO	
2 PLC ± 0.13[.005]	3 PLC ± -	WEIGHT		A1 00779 C=5536016	
4 PLC ± -	ANGLES ± -	CUSTOMER DRAWING		SCALE 4:1 SHEET 1 OF 1 REV 0	