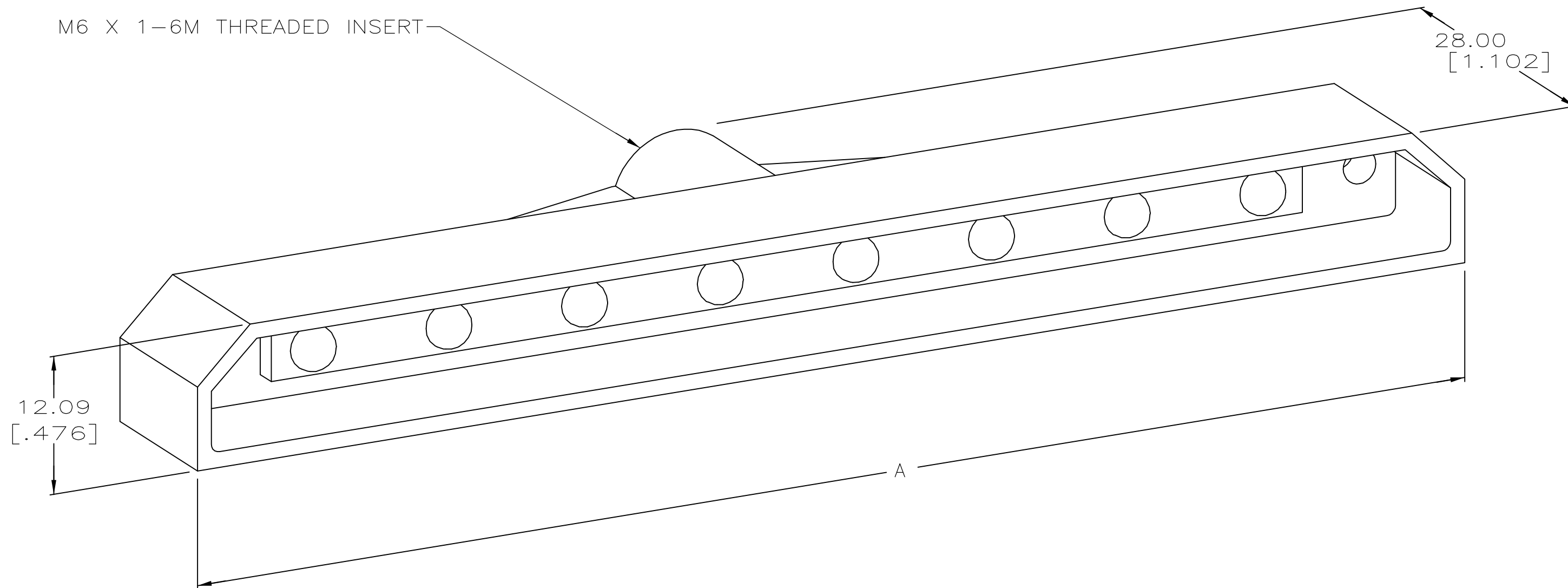


THIS DRAWING IS UNPUBLISHED. RELEASED FOR PUBLICATION  
 © COPYRIGHT BY TYCO ELECTRONICS CORPORATION. ALL RIGHTS RESERVED.

LOC	DIST	REVISIONS			
P	LTR	DESCRIPTION	DATE	DWN	APVD
CE	16	A	ROHS COMPLIANT	7SEP05	LGE RP

1. DIMENSIONS IN [ ] ARE IN INCHES.



29.00 [1.142]	1	5503800-4
41.50 [1.634]	2	5503800-3
66.50 [2.618]	4	5503800-2
116.79 [4.598]	8	5503800-1
DIM A	NUMBER POSITIONS	PART NUMBER

THIS DRAWING IS A CONTROLLED DOCUMENT.		DWN LG EBY 7SEP05	Tyco Electronics Corporation Harrisburg, Pa 17105-3608	
DIMENSIONS: mm 		CHK M. KADAR-KALLEN 7SEP05	NAME DUST COVER, LIGHTPLANE, MOTHERBOARD	
TOLERANCES UNLESS OTHERWISE SPECIFIED: 0 PLC ± - 1 PLC ± - 2 PLC ± 0.25 [.010] 3 PLC ± - 4 PLC ± - ANGLES ± - FINISH -		APVD R. PAUL 7SEP05	PRODUCT SPEC -	
MATERIAL -		APPLICATION SPEC -	SIZE A2	RESTRICTED TO -
WEIGHT -		WEIGHT -	CAGE CODE 00779	DRAWING NO C=5503800
CUSTOMER DRAWING		SCALE 1:1	SHEET 1 OF 1	REV A