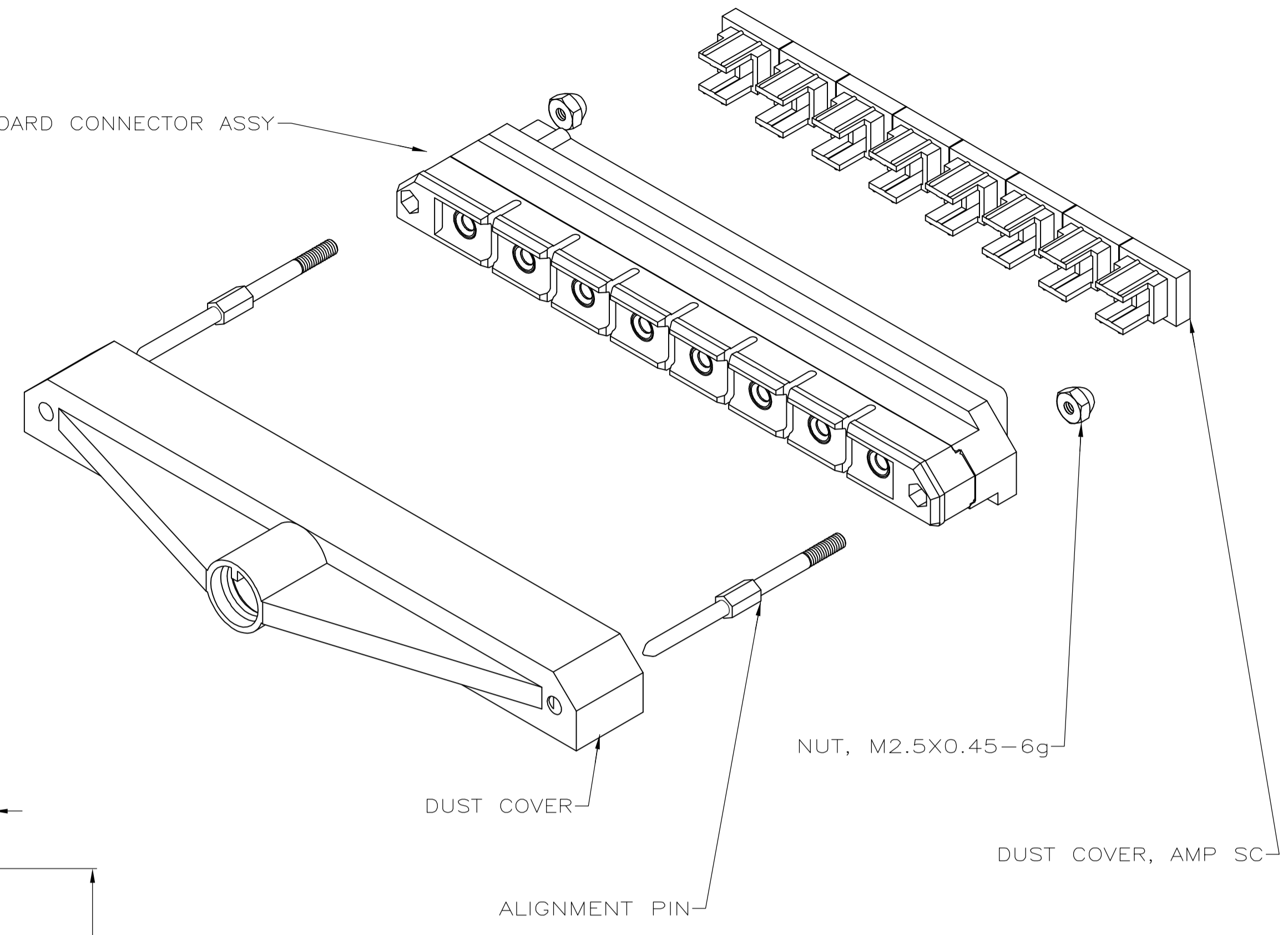
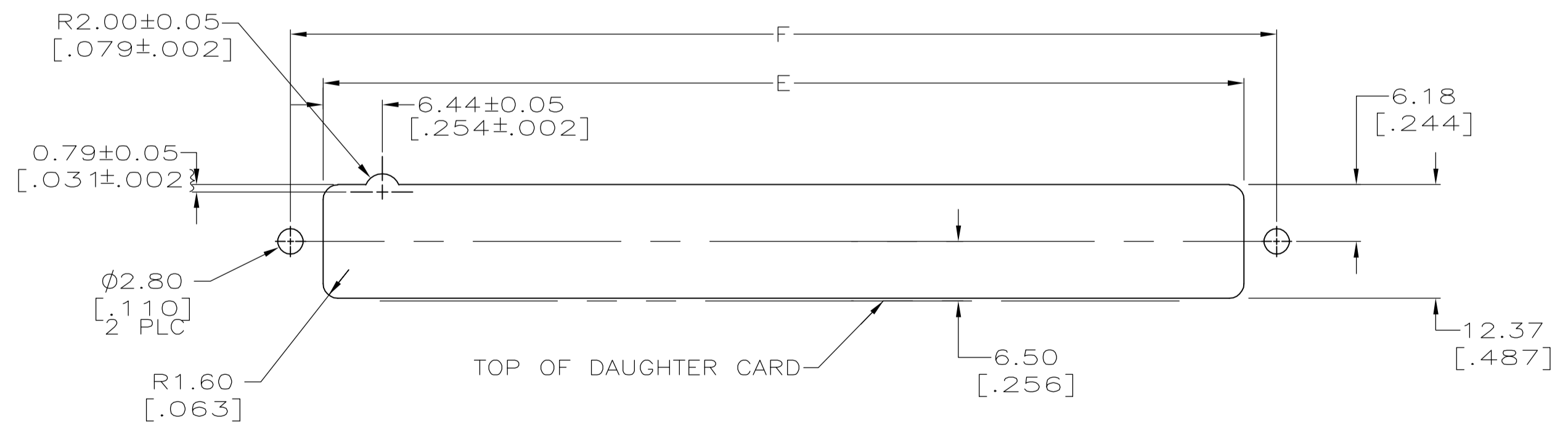


MOTHER BOARD CONNECTOR ASSY



- 1. DIMENSIONS IN [] ARE IN INCHES
- △ MATERIAL: HOUSING; THERMOPLASTIC
DUST COVER; THERMOPLASTIC RUBBER
MOUNTING HARDWARE; STAINLESS STEEL



SUGGESTED PANEL CUT OUT

20.00[.787]	12.88[.507]	12.50[.492]	26.80[1.055]	20.00[.787]	N/A	1	5503682-4
32.50[1.280]	25.38[.999]	25.00[.984]	39.20[1.547]	32.50[1.280]	12.50[.492]	2	5503682-3
57.50[2.264]	50.38[1.984]	50.00[1.969]	64.30[2.531]	57.50[2.264]	37.50[1.476]	4	5503682-2
107.50[4.232]	100.38[3.952]	100.00[3.937]	114.30[4.500]	107.50[4.232]	87.50[3.445]	8	5503682-1
F±0.12[.005]	E±0.12[.005]	D±0.12[.005]	C±0.12[.005]	B±0.12[.005]	A±0.12[.005]	NO. OF POS.	PART NUMBER

THIS DRAWING IS A CONTROLLED DOCUMENT.

DIMENSIONS:	TOLERANCES UNLESS OTHERWISE SPECIFIED:	DWN	05JAN2006		Tyco Electronics Corporation Harrisburg, PA 17105-3608		
mm	0 PLC ± - 1 PLC ± - 2 PLC ± 0.05[.002] 3 PLC ± - 4 PLC ± - ANGLES ± -	CHK	06JAN2006				
MATERIAL	FINISH	APVD	06JAN2006	NAME	MOTHER BOARD KIT, LIGHTPLANE		
		PRODUCT SPEC		APPLICATION SPEC			
		WEIGHT		SIZE	CAGE CODE	DRAWING NO	RESTRICTED TO
				A1	00779	5503682	
		CUSTOMER DRAWING		SCALE	NTS	SHEET	1 OF 1