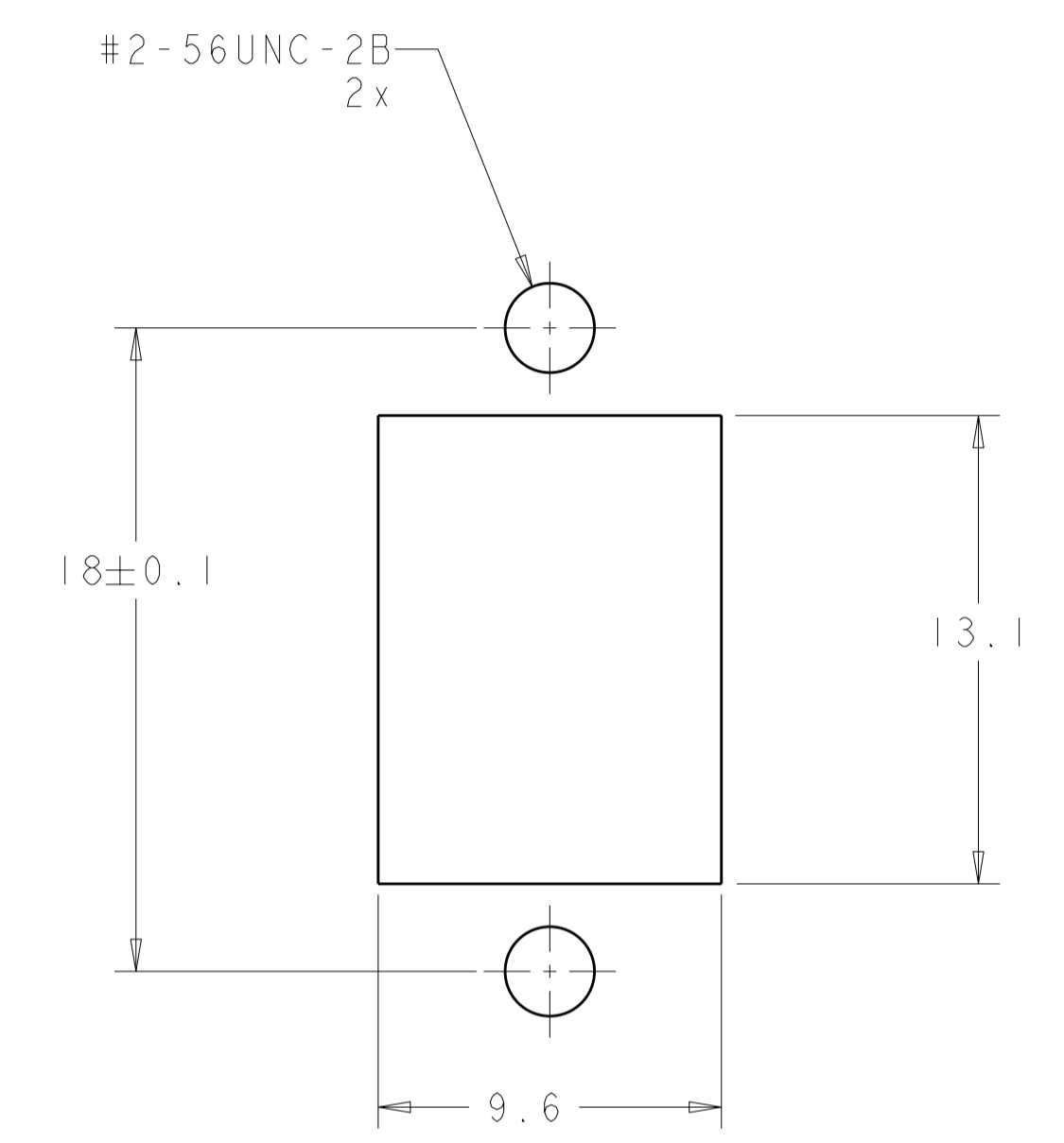
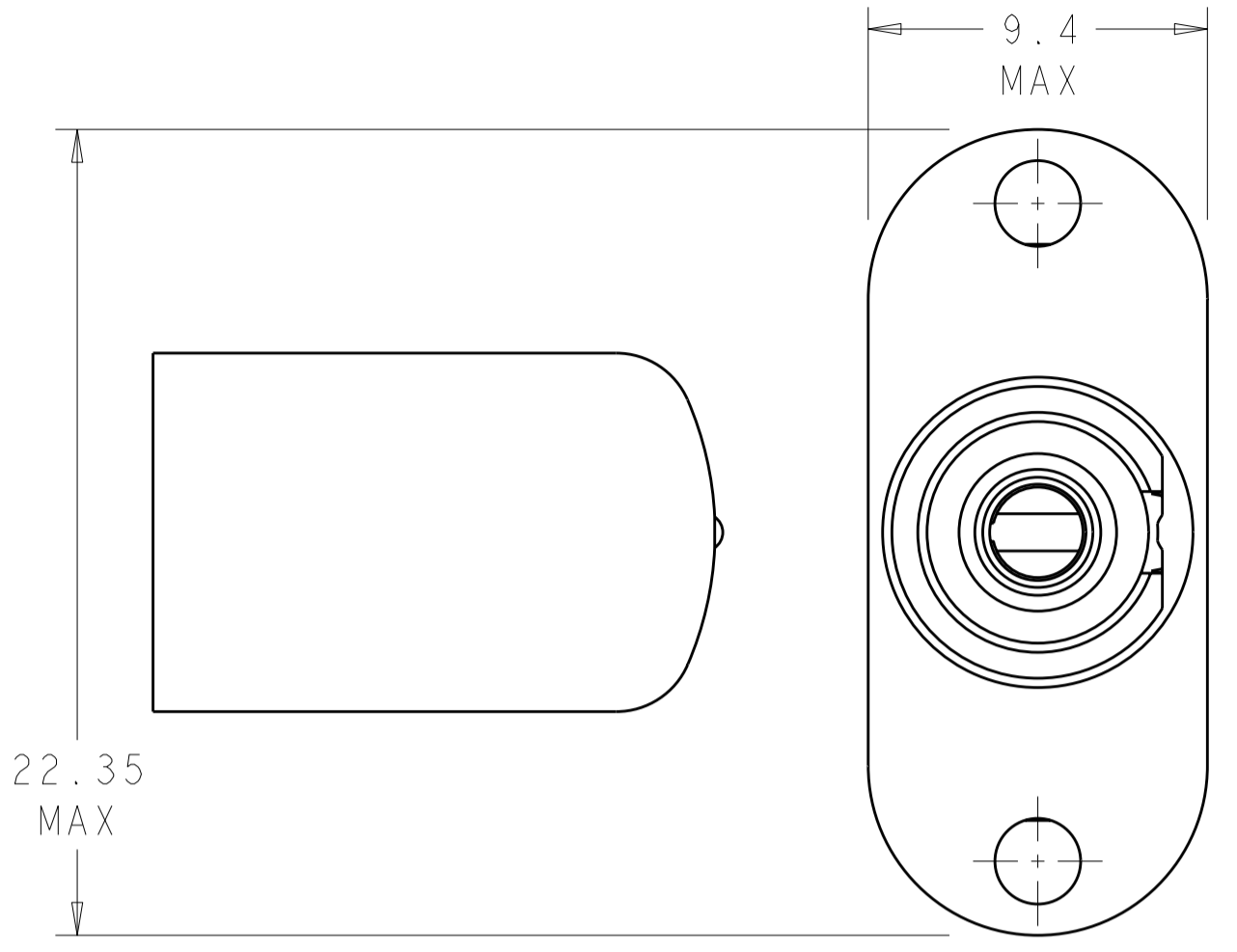
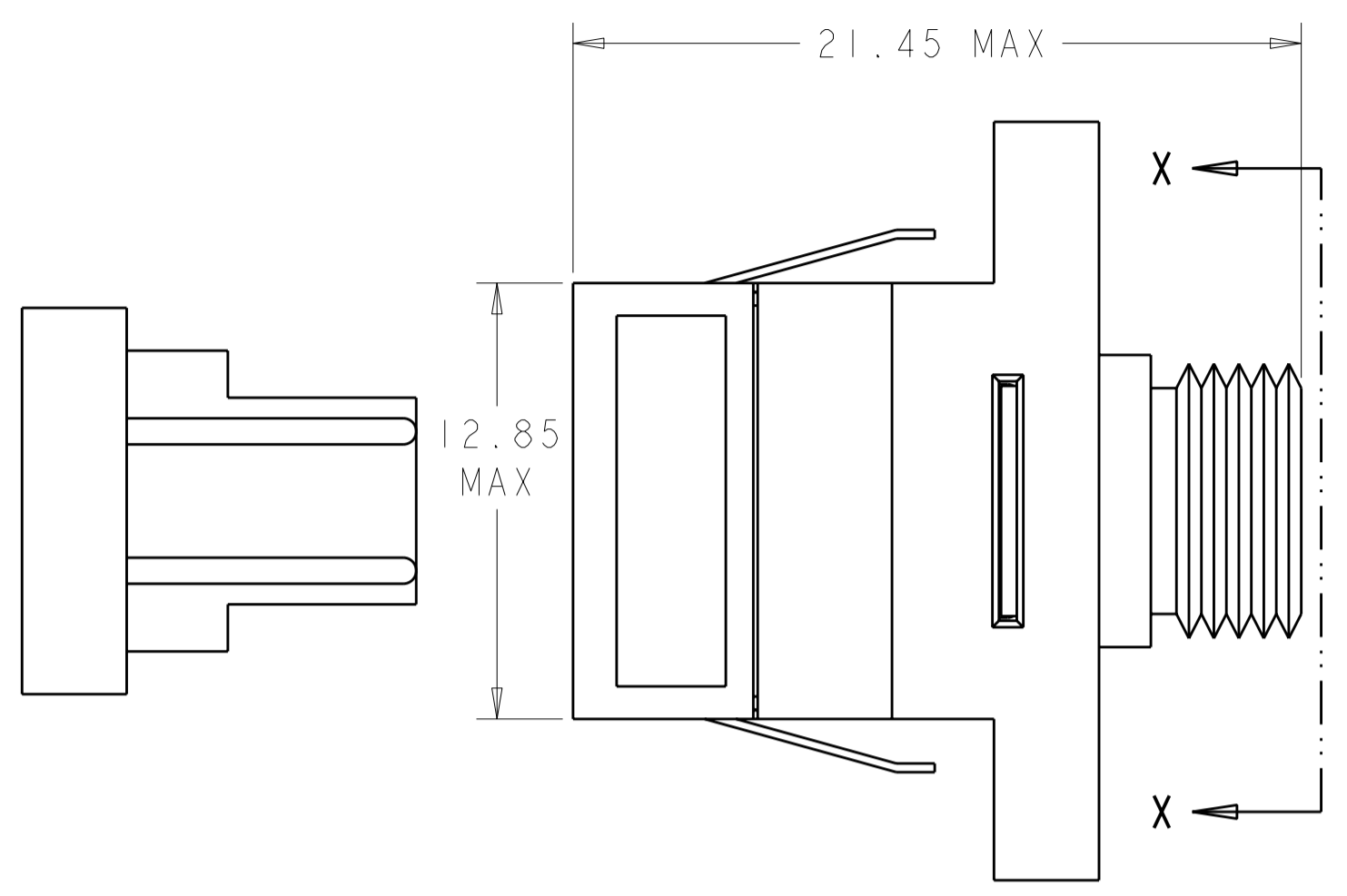


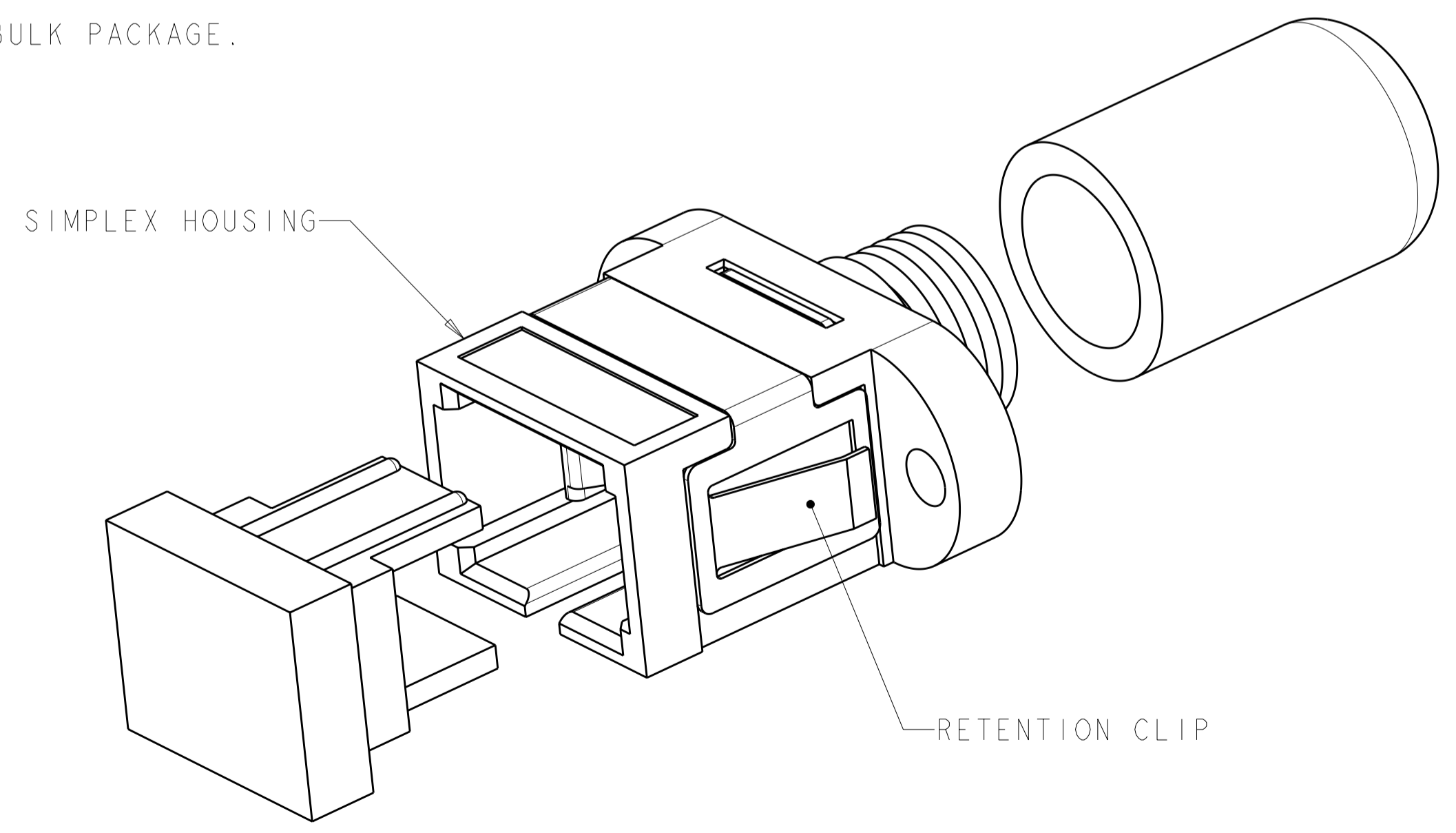
THIS DRAWING IS UNPUBLISHED. RELEASED FOR PUBLICATION 20
 © COPYRIGHT 20 BY - ALL RIGHTS RESERVED.

LOC	DIST	REVISIONS			
P	LTR	DESCRIPTION	DATE	DWN	APVD
CE	00				
		BI	REVISED PER ECO-11-005027	15MAR2011	RK HMR



1 MATERIAL:
 HOUSING: PBT-GF30, SEE DASH NUMBERS FOR COLOR.*
 RETAINER: PEI-GF30, COLOR: BLACK.*
 RETENTION CLIP: STAINLESS STEEL.
 ALIGNMENT SLEEVE: SEE DASH NUMBERS.
 PROTECTIVE CAP: VINYL.
 PROTECTIVE COVER: TPE, COLOR: BLACK.*
 *UL94 V-0 RATED AT QUALIFYING THICKNESS.

2 BULK PACKAGE.



	NONE	CERAMIC	BLACK	1-5502781-4
	NONE	METAL	BLACK	1-5502781-3
2	RETENTION CLIP	CERAMIC	BLACK	1-5502781-0
2	RETENTION CLIP	METAL	BLUE	5502781-8
	RETENTION CLIP	CERAMIC	BEIGE	5502781-6
	RETENTION CLIP	CERAMIC	BLUE	5502781-5
	RETENTION CLIP	CERAMIC	BLACK	5502781-4
	RETENTION CLIP	METAL	BEIGE	5502781-3
	RETENTION CLIP	METAL	BLUE	5502781-2
	RETENTION CLIP	METAL	BLACK	5502781-1
	INCLUDED HARDWARE	ALIGNMENT SLEEVE	COLOR	PART NUMBER

THIS DRAWING IS A CONTROLLED DOCUMENT.		DWN B. BRIGGS 13MAY2005	TE Connectivity	
DIMENSIONS: mm		CHK S. MILLER 13MAY2005		
TOLERANCES UNLESS OTHERWISE SPECIFIED:		APVD S. BUCHTER 13MAY2005	NAME RECEPTACLE ASSEMBLY, AMP SC TO FC	
0 PLC ± 1 PLC ±0.1 2 PLC ±0.05 3 PLC ± 4 PLC ±		PRODUCT SPEC	SIZE CAGE CODE DRAWING NO	
ANGLES ±		APPLICATION SPEC	A200779C-5502781	
FINISH		WEIGHT	RESTRICTED TO	
MATERIAL 1		CUSTOMER DRAWING	SCALE 5:1 SHEET 1 OF 1 REV BI	