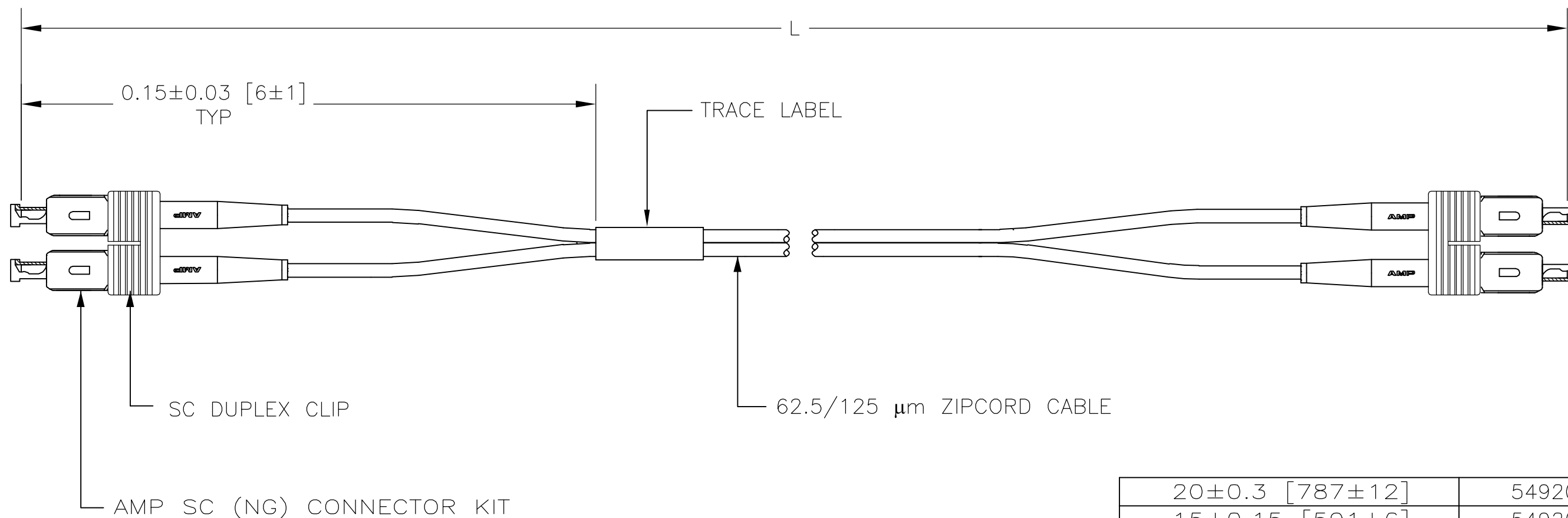


THIS DRAWING IS UNPUBLISHED. RELEASED FOR PUBLICATION
 © COPYRIGHT BY TYCO ELECTRONICS CORPORATION. ALL RIGHTS RESERVED.

LOC	DIST	REVISIONS			
P	LTR	DESCRIPTION	DATE	DWN	APVD
CE	16	A	RELEASED PER NPR	27 JAN 06	CSV JD

1. DIMENSIONS IN [] ARE IN INCHES.
2. 0.5 dB MAX INSERTION LOSS.
3. PRODUCT AND PROCESSING MUST MEET REQUIREMENTS OF TYCO ELECTRONICS STANDARD 230-702



20 ± 0.3 [787 ± 12]	5492050-7
15 ± 0.15 [591 ± 6]	5492050-6
10 ± 0.15 [394 ± 6]	5492050-5
5 ± 0.08 [197 ± 3]	5492050-4
3 ± 0.05 [118 ± 2]	5492050-3
2 ± 0.05 [79 ± 2]	5492050-2
1 ± 0.05 [39 ± 2]	5492050-1
L	PART NUMBER

THIS DRAWING IS A CONTROLLED DOCUMENT.		DWN C.S. VASU 27 JAN 06	Tyco Electronics Corporation Harrisburg, Pa 17105-3608													
DIMENSIONS: METERS [INCHES]		CHK J. DUNCAN 27 JAN 06														
TOLERANCES UNLESS OTHERWISE SPECIFIED:		APVD J. DUNCAN 27 JAN 06	NAME CABLE ASSEMBLY, FIBER OPTIC, 62.5/125 ZIPCORD, AMP SC (NG), OPTIMATE													
<table border="1"> <tr><td>0 PLC</td><td>± -</td></tr> <tr><td>1 PLC</td><td>± -</td></tr> <tr><td>2 PLC</td><td>± -</td></tr> <tr><td>3 PLC</td><td>± -</td></tr> <tr><td>4 PLC</td><td>± -</td></tr> <tr><td>ANGLES</td><td>± -</td></tr> </table>		0 PLC	± -	1 PLC	± -	2 PLC	± -	3 PLC	± -	4 PLC	± -	ANGLES	± -	PRODUCT SPEC -	RESTRICTED TO -	
0 PLC	± -															
1 PLC	± -															
2 PLC	± -															
3 PLC	± -															
4 PLC	± -															
ANGLES	± -															
MATERIAL -		FINISH -	APPLICATION SPEC -	SIZE A3												
		WEIGHT -	CAGE CODE 00779	DRAWING NO C-5492050												
CUSTOMER DRAWING			SCALE 1:1	SHEET 1 OF 1												
			REV A													