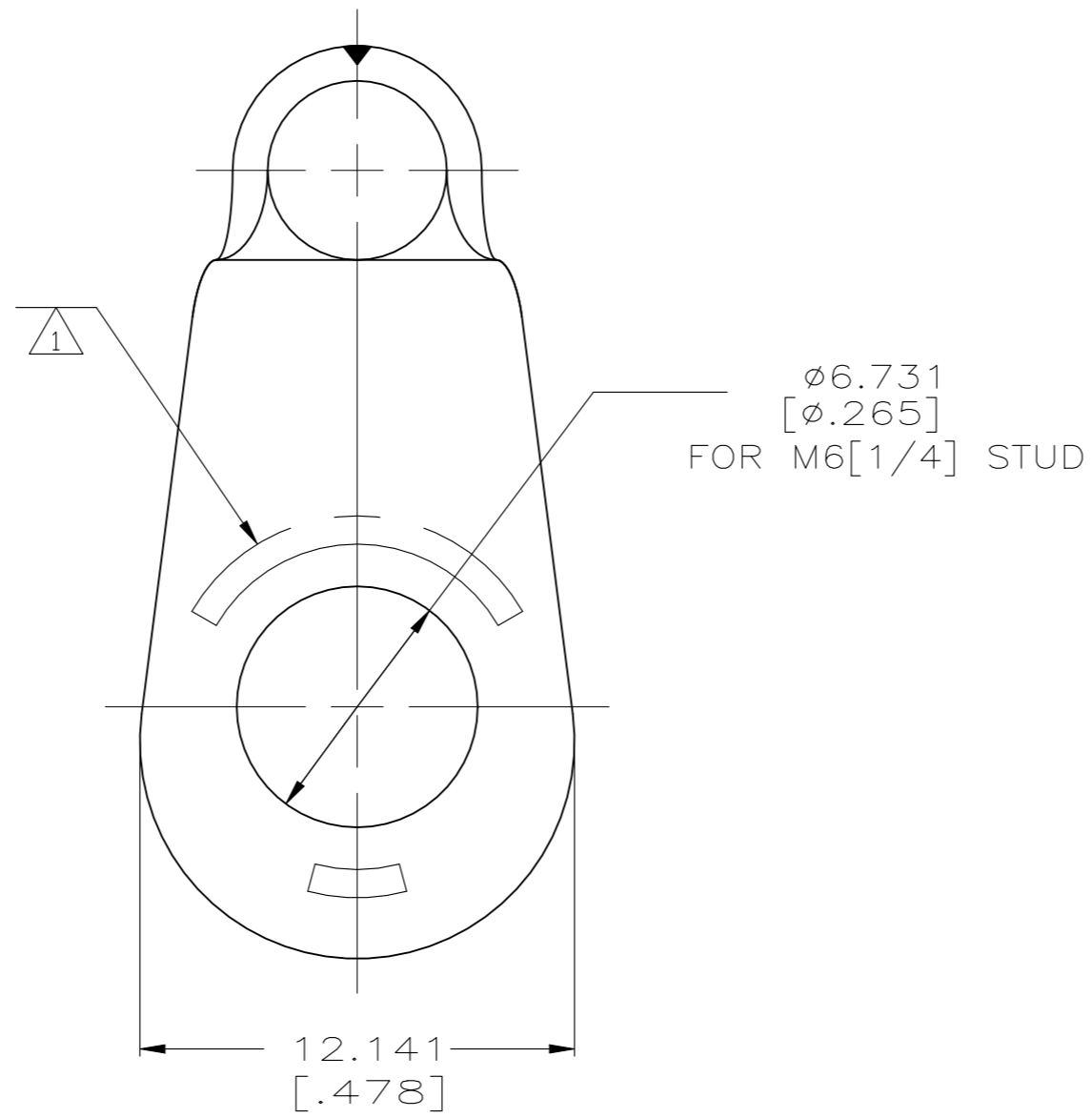
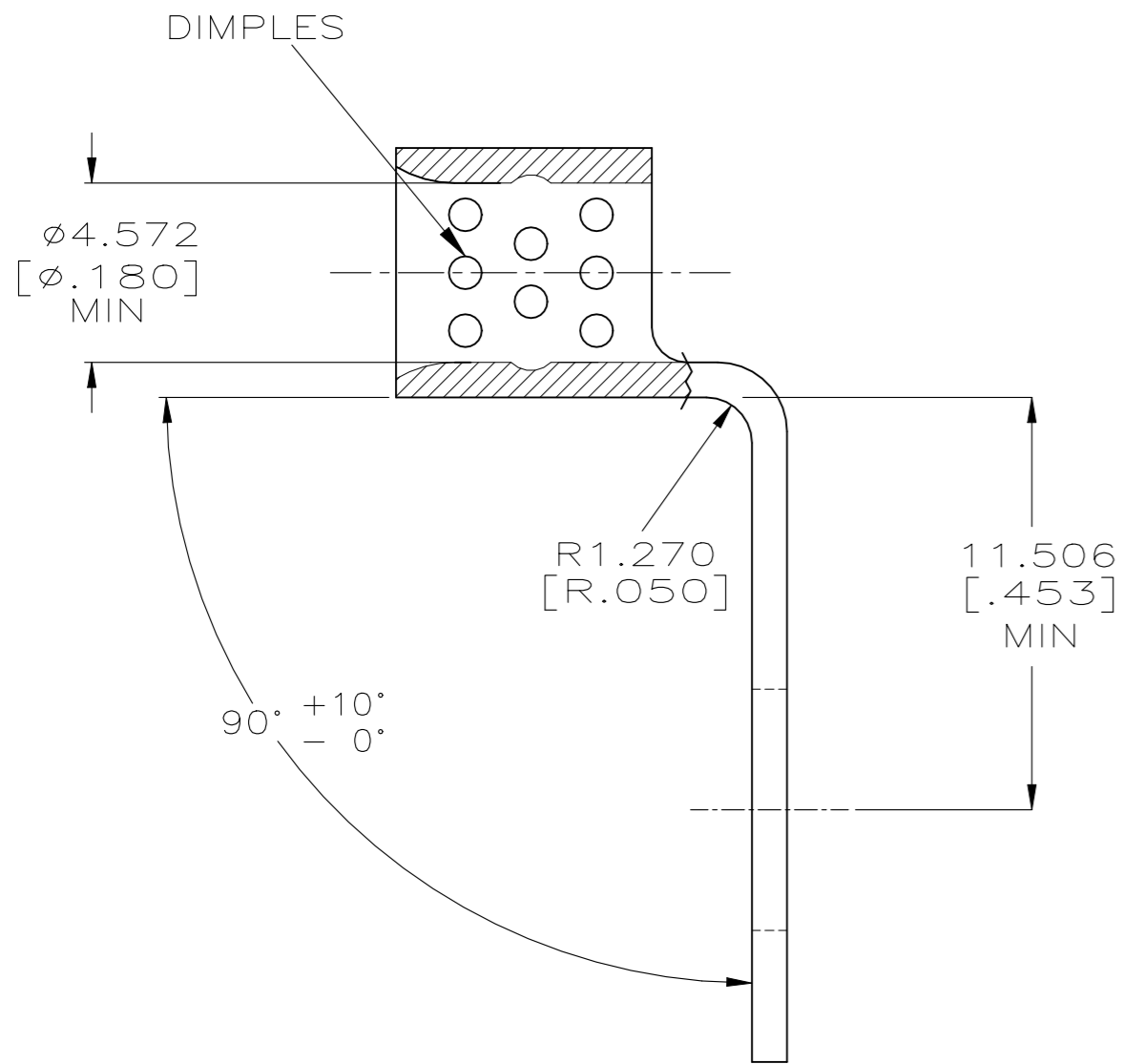
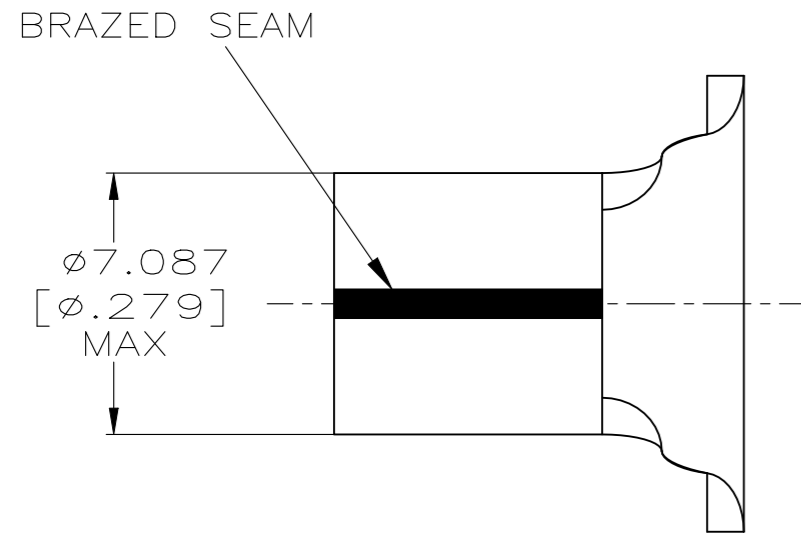


THIS DRAWING IS UNPUBLISHED. RELEASED FOR PUBLICATION
 COPYRIGHT © TE Connectivity Ltd. ALL RIGHTS RESERVED.

| REVISIONS | | | | |
|-----------|-----|---------------|-----------|---------|
| P | LTR | DESCRIPTION | DATE | APVD |
| | A | ECN-22-143498 | 15MAR2022 | NPR/CDS |



AMP
WIRE RANGE

8 AWG
SOLID OR STRANDED

LR7189
Certified

8 AWG
SOLID OR STRANDED

- 1 STAMP AMP 8* 14 APPROX AS SHOWN
- 2 BODY MATERIAL THK: 0.991±0.076[.039±.003]
- 3 MATERIAL:
COPPER PER ASTM B152, ANNEALED
- 4 FINISH:
TIN PLATE 0.00254[.000100] MIN EXT THK PER ASTM B545

| | | |
|-----|--------------|---------|
| 100 | LOOSE PIECE | 54726-1 |
| QTY | PACKAGE TYPE | PART NO |

| | | | | | | |
|--|--|---|--|---|--------------------------|---|
| AMP INCORPORATED CUSTOMER SERVICE SYSTEMS | | MAX RECOMMENDED OPERATING TEMPERATURE: 170°C [338°F] | THIS DRAWING IS A CONTROLLED DOCUMENT. | | DWN DK SCHRUM 06OCT95 | STE TE Connectivity |
| FOR ADDITIONAL PRODUCT INFORMATION OR COPIES OF DRAWINGS AND TECHNICAL DOCUMENTS | PRODUCT INFORMATION CENTER 1-800-522-6752 | VOLTAGE RATING: NOT APPLICABLE | DIMENSIONS: mm[INCHES] | TOLERANCES UNLESS OTHERWISE SPECIFIED: | CHK MJ SPICER 06OCT95 | |
| FOR APPLICATION TOOLING INFORMATION | TOOLING ASSISTANCE CENTER 1-800-722-1111 | WIRE CROSS SECTIONAL AREA RANGE: 6.6-10.5mm ² [13, 100-20,800] CIR MILS SOLID OR STRANDED | | 0 PLC ± - 1 PLC ± - 2 PLC ± - 3 PLC ± 0.127[.005] 4 PLC ± - ANGLES ± - | APVD CH KULYNYCH 06OCT95 | NAME |
| FOR ORDER ENTRY | 1-800-526-5142 | THIS DRAWING IS A CONTROLLED DOCUMENT FOR AMP INCORPORATED. IT IS SUBJECT TO CHANGE AND THE CONTROLLING ENGINEERING ORGANIZATION SHOULD BE CONTACTED FOR THE LATEST REVISION. | MATERIAL | FINISH | APPLICATION SPEC | TERMINAL, RING TONGUE, SOLISTRAND WIRE SIZE: 8 AWG, 90 DEG BEND |
| | | | 3 | 4 | WEIGHT - | SIZE CAGE CODE DRAWING NO RESTRICTED TO |
| | | | | | A2 00779 C=54726 | SCALE 5:1 SHEET 1 OF 1 REV A |