

4

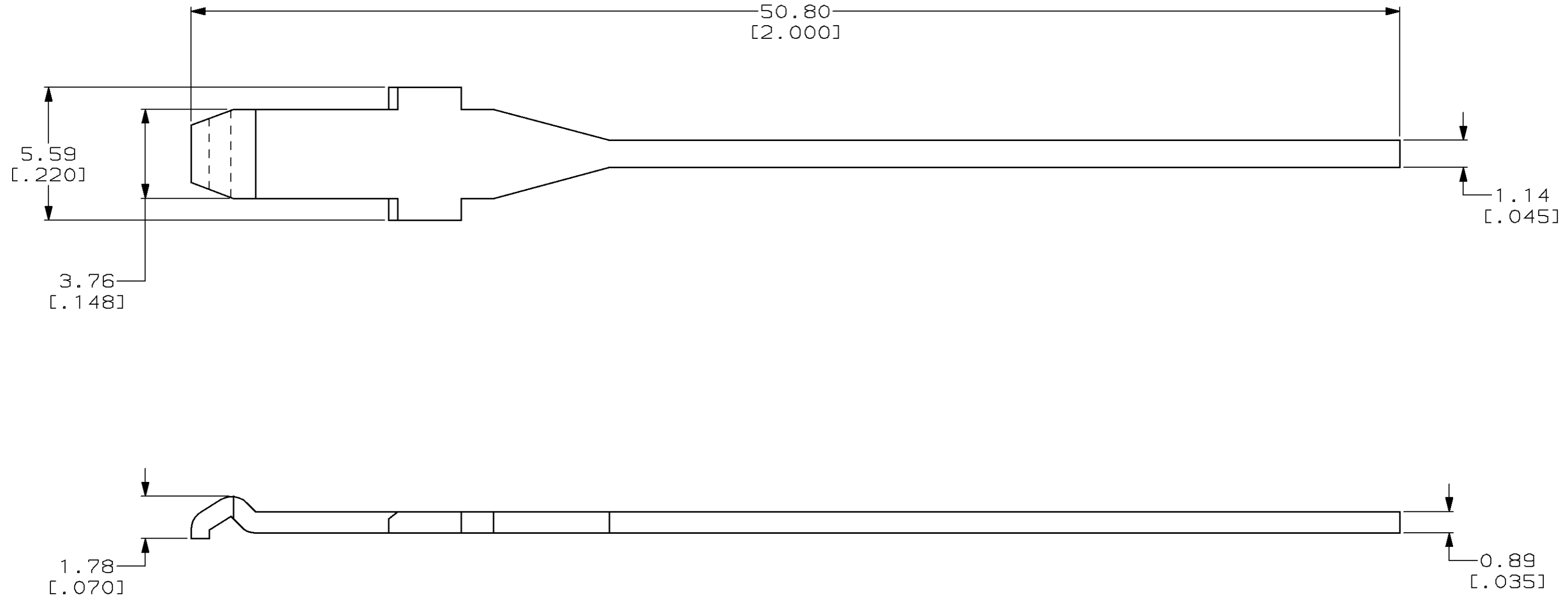
3

2

1

THIS DRAWING IS UNPUBLISHED. RELEASED FOR PUBLICATION, 19 .
 © COPYRIGHT 19 BY AMP INCORPORATED. ALL RIGHTS RESERVED.

LOC	DIST	REVISIONS			
P	LTR	DESCRIPTION	DATE	DWN	APVD
FT	60	G	REDRAWN & REV PER EC 0320-74-97	15 APR 97	-



△1	54326-2
△2	54326-1
FINISH	PART NUMBER

- △1 5.08µm [.000200] MIN SILVER.
- △2 0.76µm [.000030] MIN GOLD OVER
1.27µm [.000050] MIN NICKEL.

THIS DRAWING IS A CONTROLLED DOCUMENT.		DWN M. BINNER	15 APR 97	AMP AMP Incorporated Harrisburg, PA 17105-3608	
DIMENSIONS: mm [INCHES]		CHK R. STONE	24 APR 97		
TOLERANCES UNLESS OTHERWISE SPECIFIED:		APVD M. MCALONIS	22 MAY 97	NAME CONTACT, SERIES 1, POSTED, PCB, POWER LOCK	
0 PLC ±-		PRODUCT SPEC 108-11026		SIZE	
1 PLC ±-		APPLICATION SPEC 114-6032		CAGE CODE	DRAWING NO
2 PLC ±0.51 [.020]		WEIGHT		A300779 C-54326	
3 PLC ±-		CUSTOMER DRAWING		RESTRICTED TO	-
4 PLC ±-		SCALE 6:1		SHEET 1 OF 1	REV G
ANGLES ±-		FINISH SEE TABLE			
MATERIAL COPPER ALLOY					