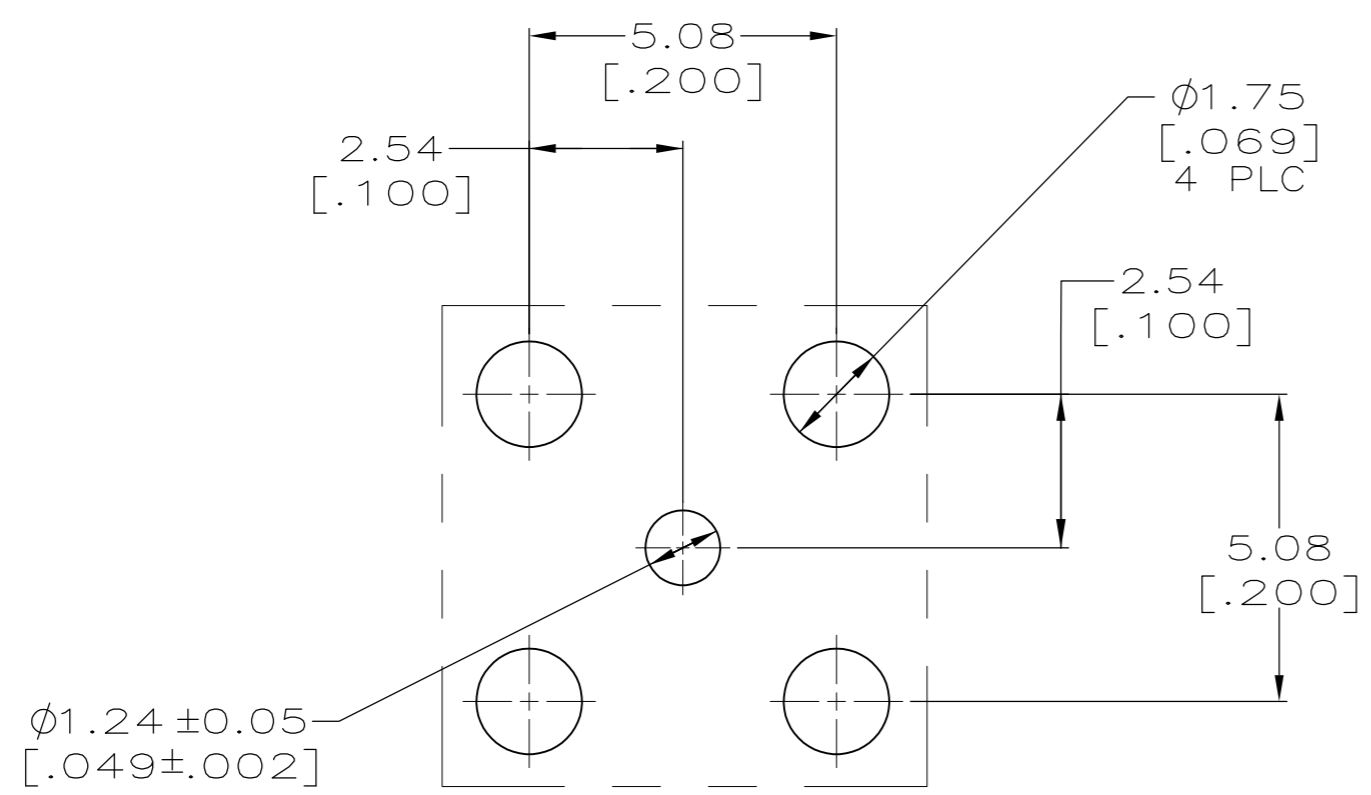
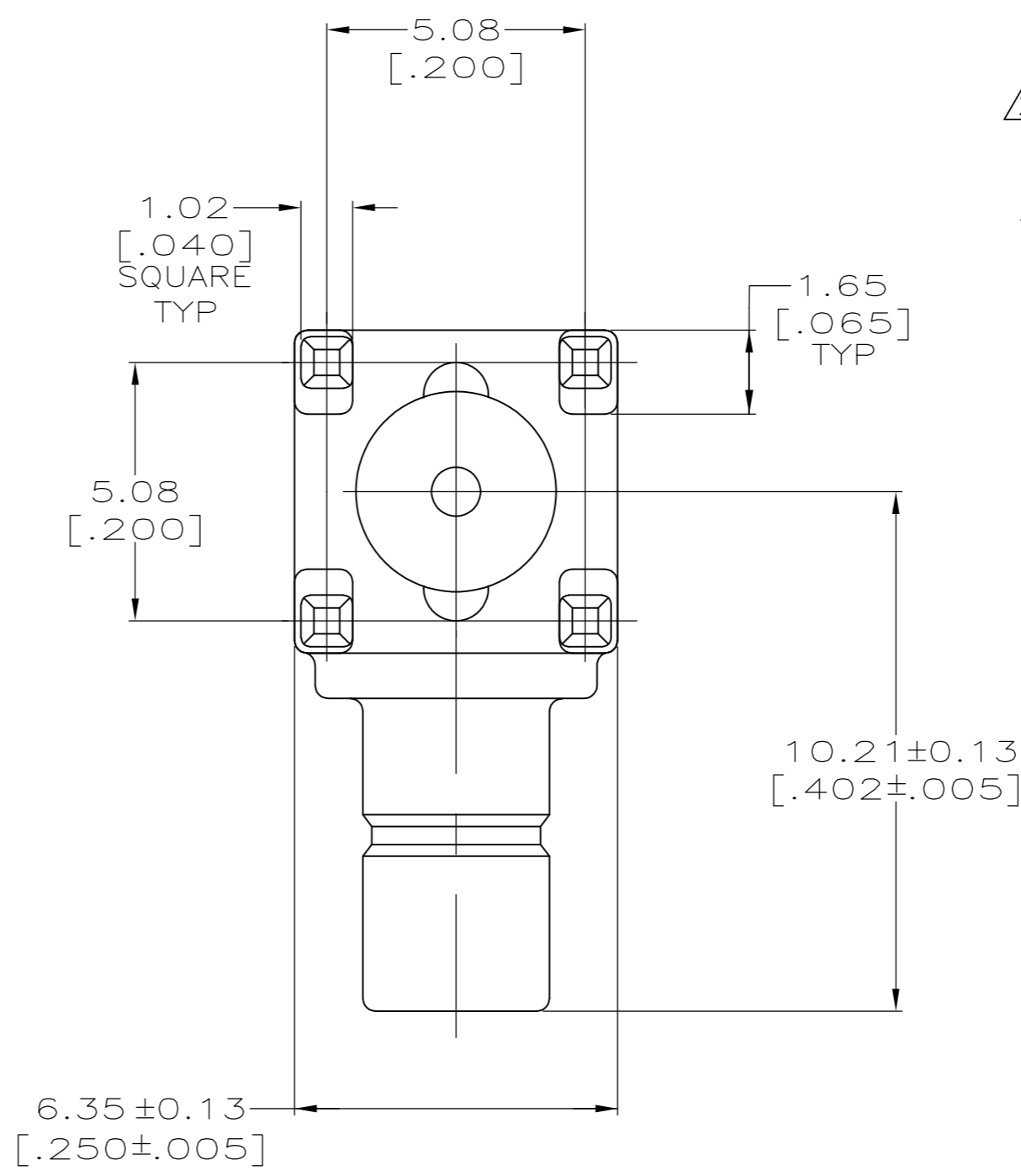
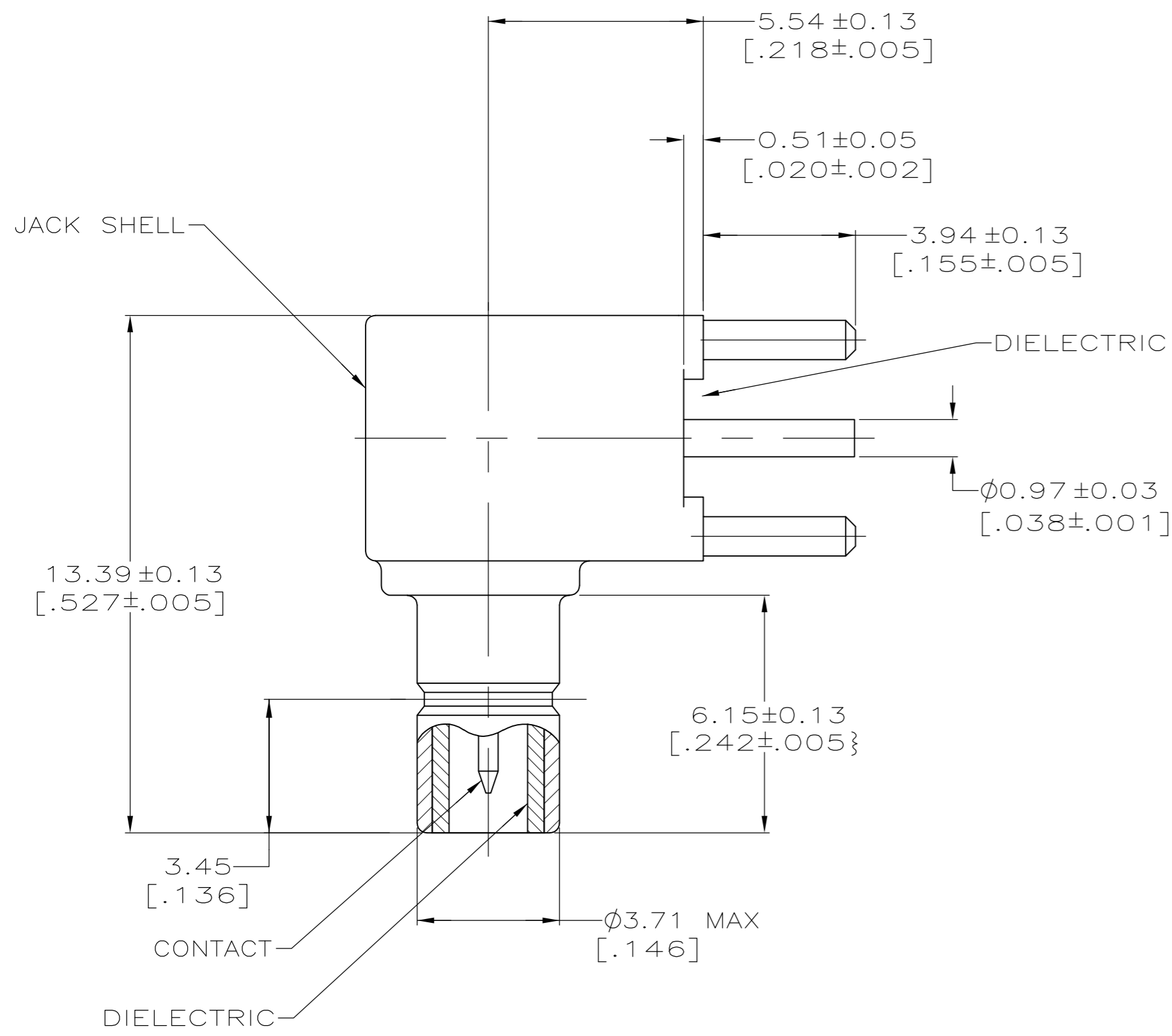


THIS DRAWING IS UNPUBLISHED. RELEASED FOR PUBLICATION
 © COPYRIGHT - By - ALL RIGHTS RESERVED.

LOC	DIST	REVISIONS					
		P	LTR	DESCRIPTION	DATE	DWN	APVD
AJ	16	A		ECR-12-005726	27MAR12	RK	MY



- △ MATERIALS:
 JACK SHELL: ZINC ALLOY PER ASTM B 86
 CENTER CONTACT: BRASS PER ASTM B 16
 DIELECTRICS: PTFE PER ASTM D 1710
- △ FINISHES:
 JACK SHELL: NICKEL PLATE PER QQ-N-290
 CENTER CONTACT: GOLD PER ASTM B 488
- 3. INTERFACE PER MIL-C-39012.

5415381-1
 PART NUMBER

THIS DRAWING IS A CONTROLLED DOCUMENT.		DWN	J. HAVENER	09DEC2005	 TE Connectivity		
DIMENSIONS: mm [INCHES]		CHK	J. HAVENER	09DEC2005			
TOLERANCES UNLESS OTHERWISE SPECIFIED:		APVD	J. HAVENER	09DEC2005			
0 PLC ± - 1 PLC ± - 2 PLC ± 0.08 [.003] 3 PLC ± - 4 PLC ± - ANGLES ± -		PRODUCT SPEC	NAME			JACK, RIGHT ANGLE, PCB, SMB	
MATERIAL	FINISH	WEIGHT	SIZE		CAGE CODE	DRAWING NO	RESTRICTED TO
△	△	-	A2		00779	C=5415381	-
CUSTOMER DRAWING				SCALE	8:1	SHEET	1 of 1
				REV	A		