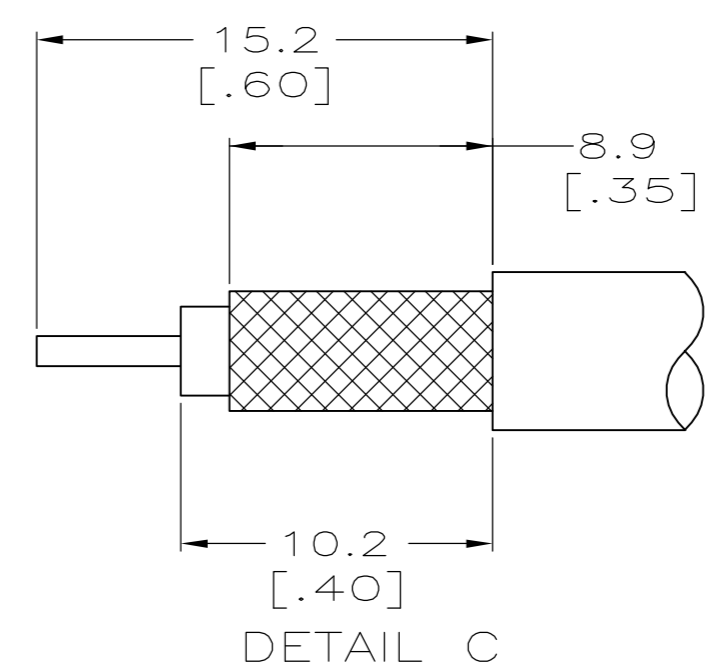
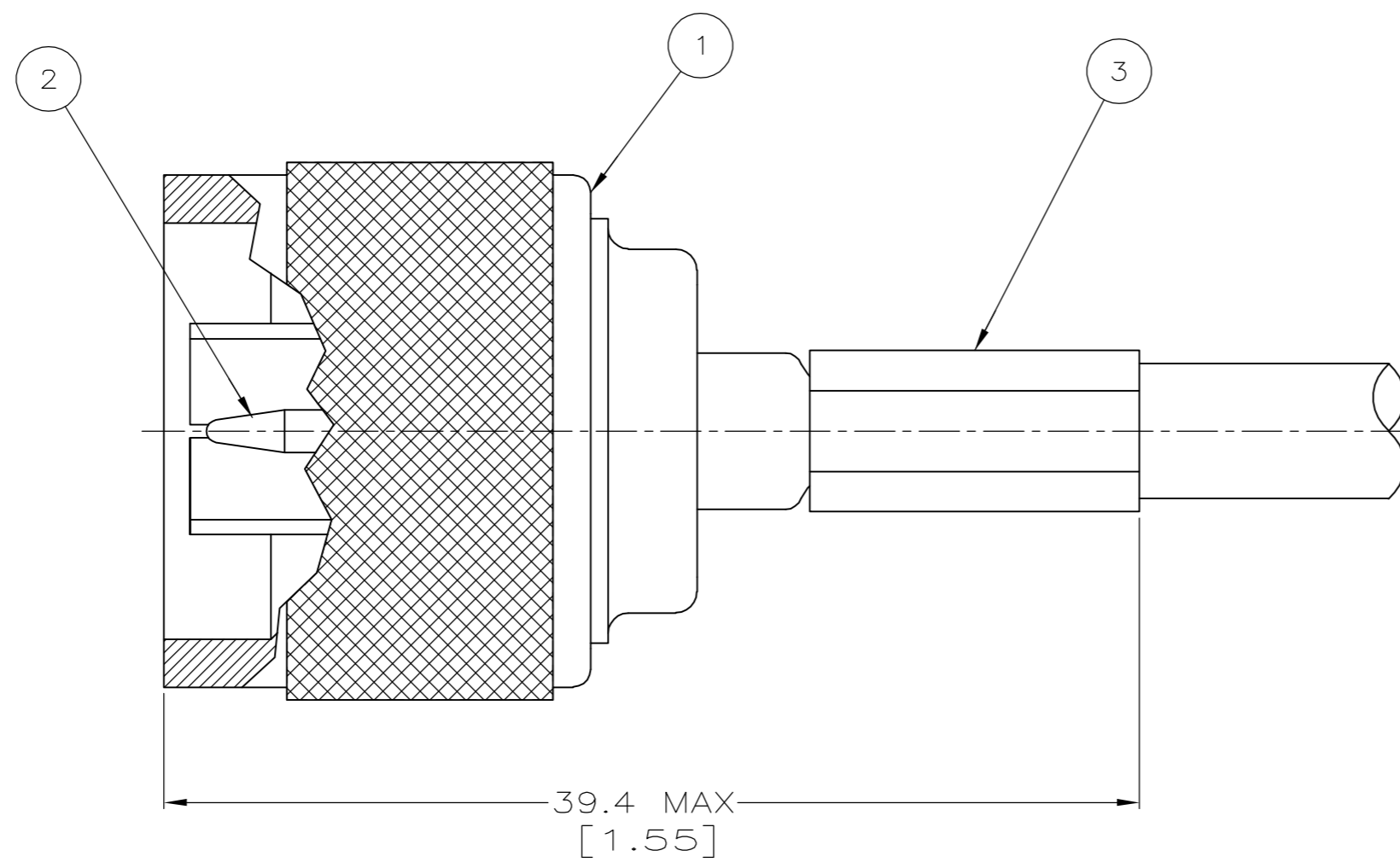


THIS DRAWING IS UNPUBLISHED. RELEASED FOR PUBLICATION  
 © COPYRIGHT BY TYCO ELECTRONICS CORPORATION. ALL RIGHTS RESERVED.

Loc	DIST	REVISIONS			
P	LTR	DESCRIPTION	DATE	DWN	APVD
AJ	16	0	REV PER EC-0S14-0496-04	01FEB2005	GA GM

- 1. FOR USE WITH AMP PRO-CRIMPER II HAND TOOL, PART # 354940-1, OR WITH THE 626 SERIES PNEUMATIC TOOL WITH ADAPTER #679304-1
- ⚠ REQUIRES PRO-CRIMPER II DIE SET PART # 58436-1. FOR CONTACT AND BRAID TERMINATION.



RECOMMENDED STRIP LENGTHS

⚠ RG-142/U, 142A/U & 142B/U	CONTACT: .068, BRAID: .213	DETAIL C	9-221132-4	415240-2	415233-3	5415232-4
CABLE	HEX CRIMP HEIGHTS IN INCHES	STRIP LENGTH	③ FERRULE QTY=1	② CONTACT QTY=1	① PLUG ASSY QTY=1	PART NUMBER

THIS DRAWING IS A CONTROLLED DOCUMENT.

DWN G. ATTADIA 01FEB2005	Tyco Electronics Corporation Harrisburg, PA 17105-3608
CHK J. HAVENER 01FEB2005	
APVD G. MICHAEL 01FEB2005	
NAME	
DIMENSIONS: mm [inches]	PLUG, N SERIES
TOLERANCES UNLESS OTHERWISE SPECIFIED:	
MATERIAL	SIZE A2
FINISH	CAGE CODE 00779
	DRAWING NO C=5415232
	RESTRICTED TO
	SCALE 4:1
	SHEET 1 OF 1
	REV 0

5415232