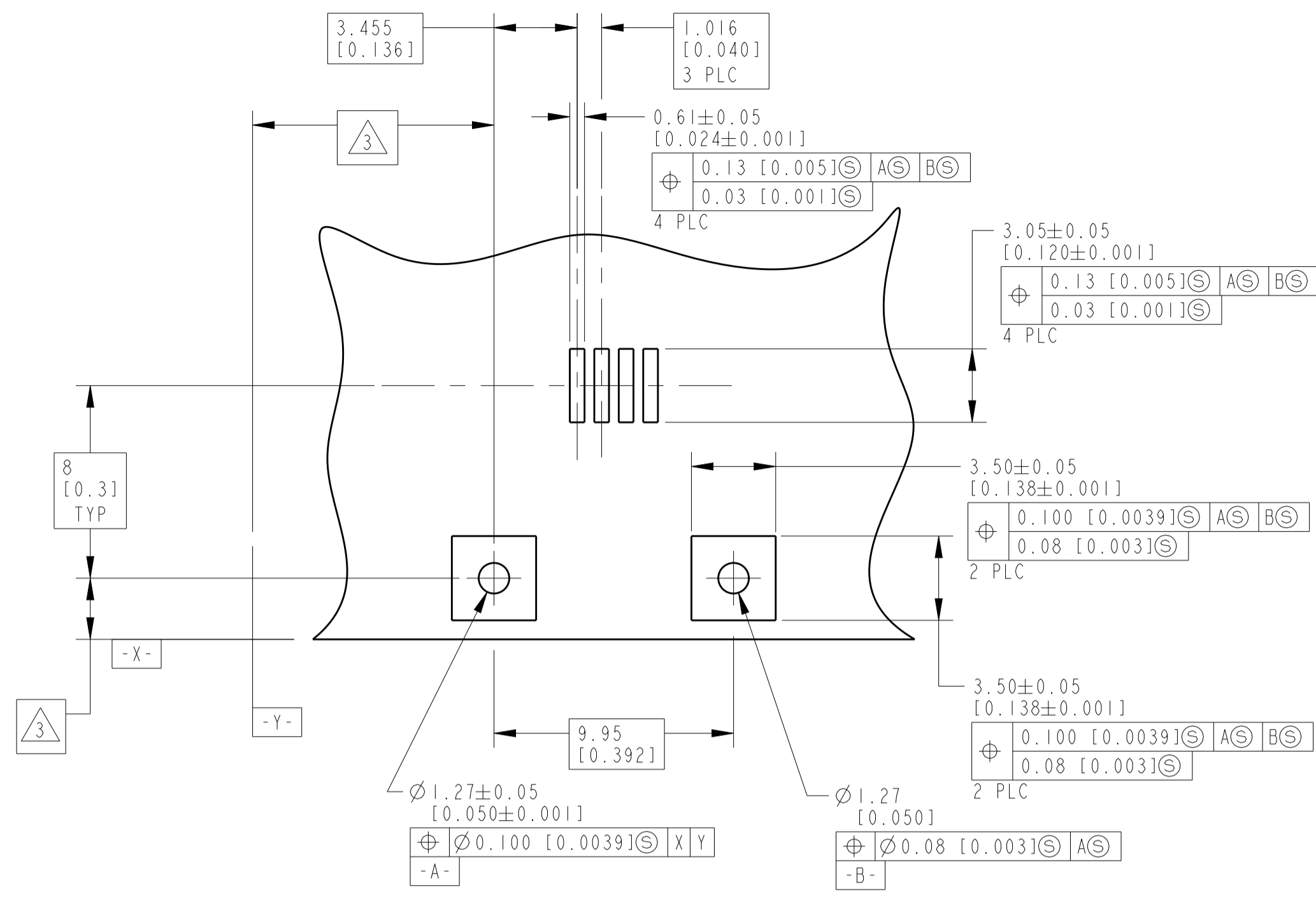
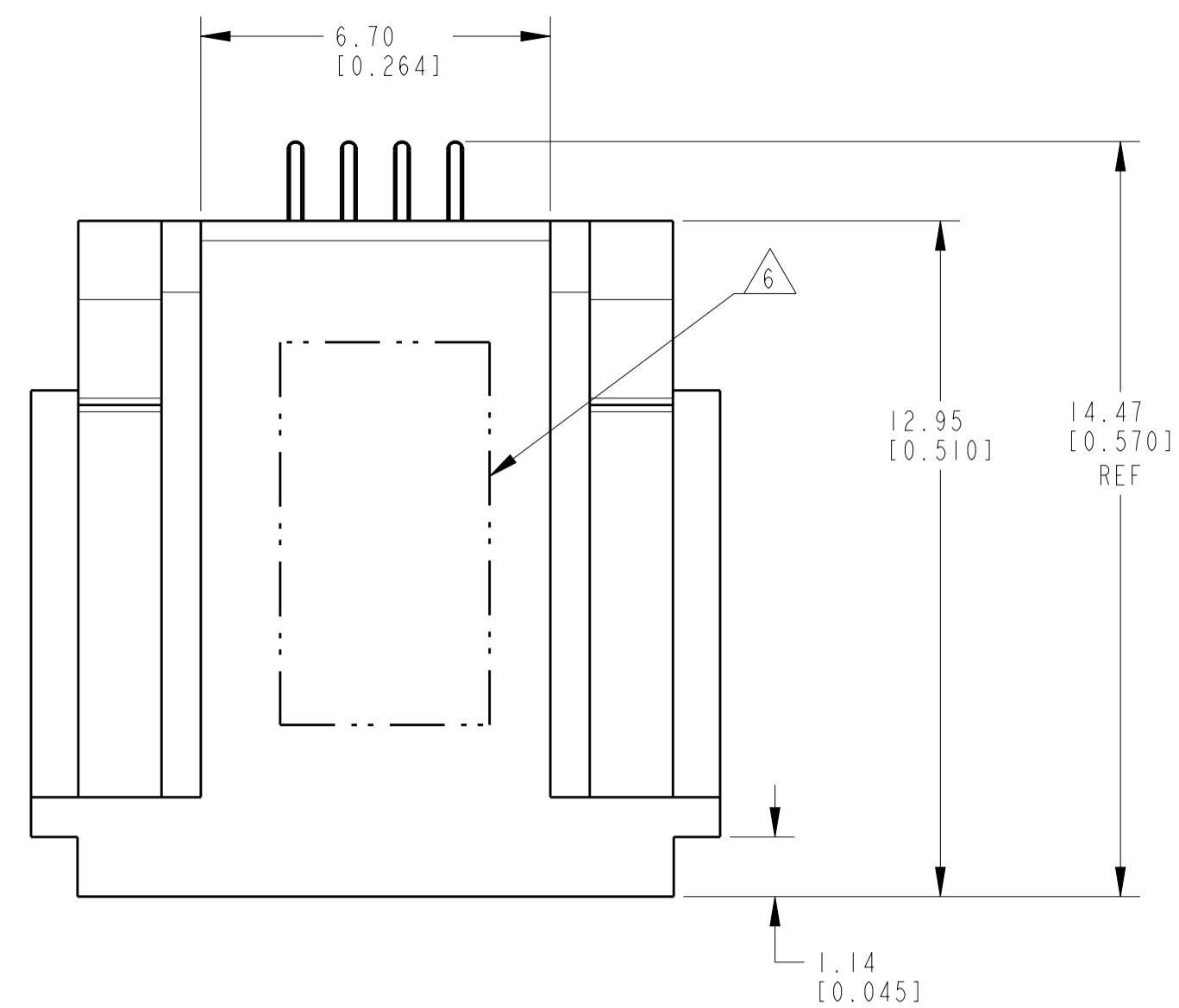
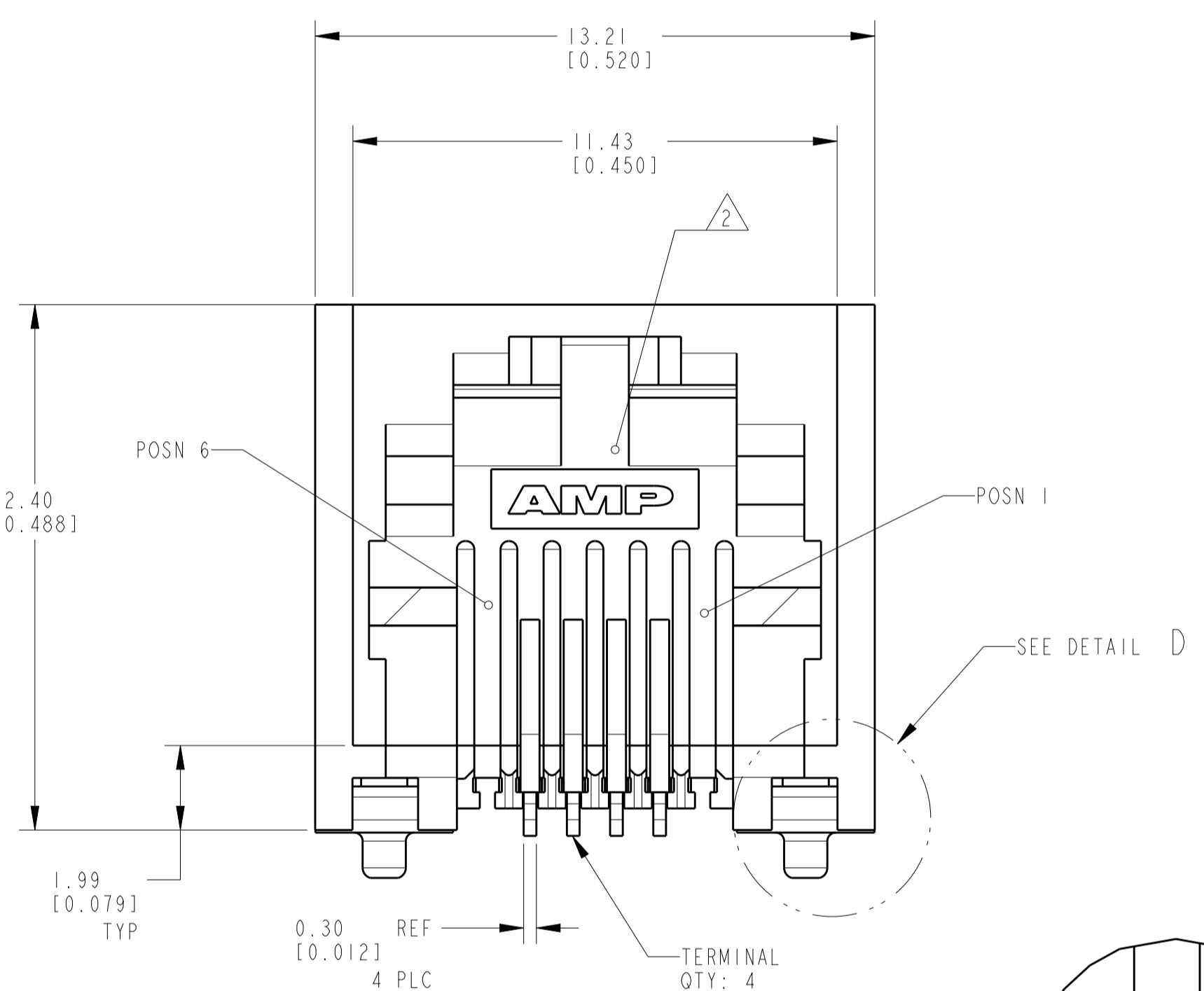


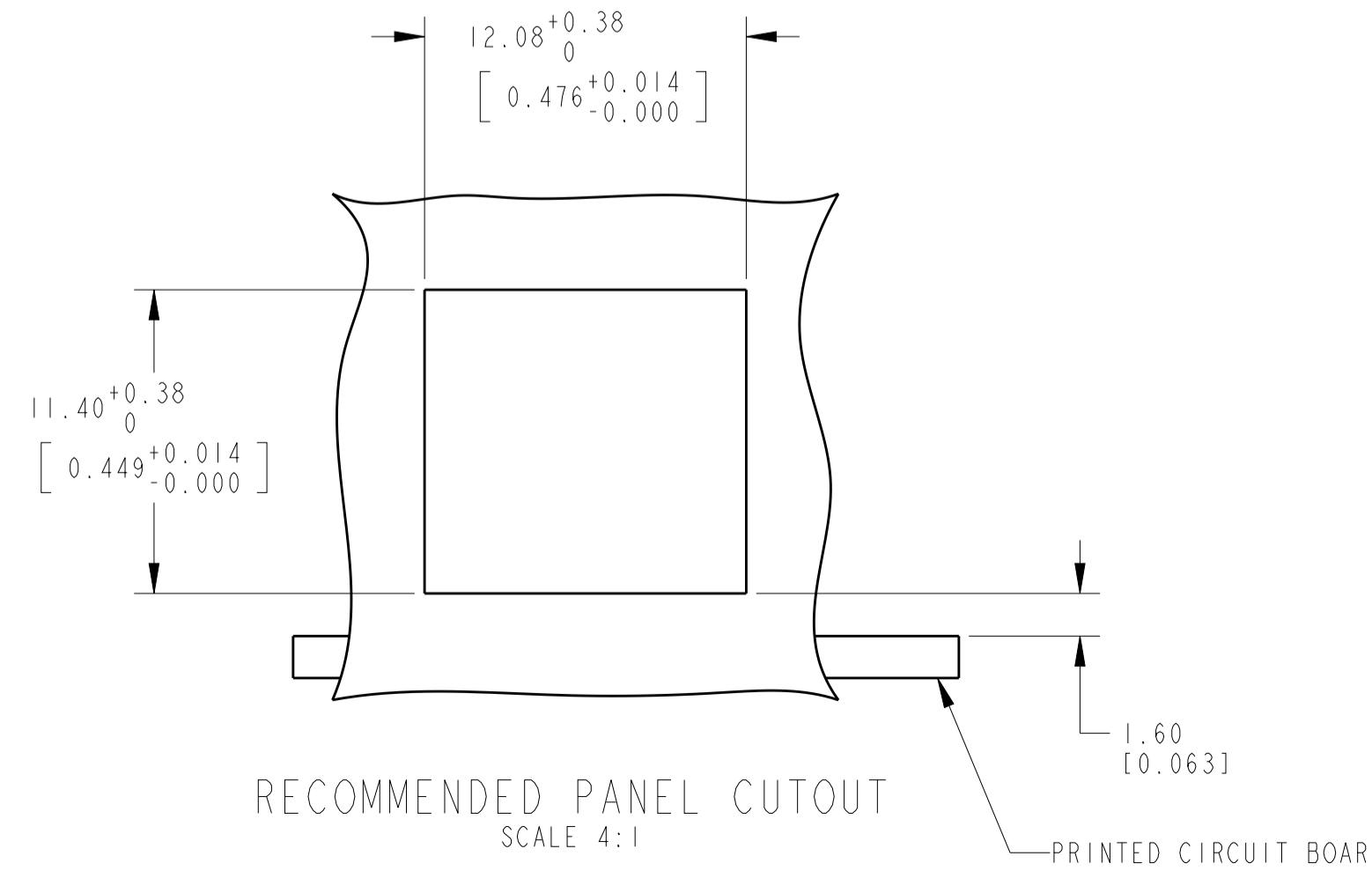
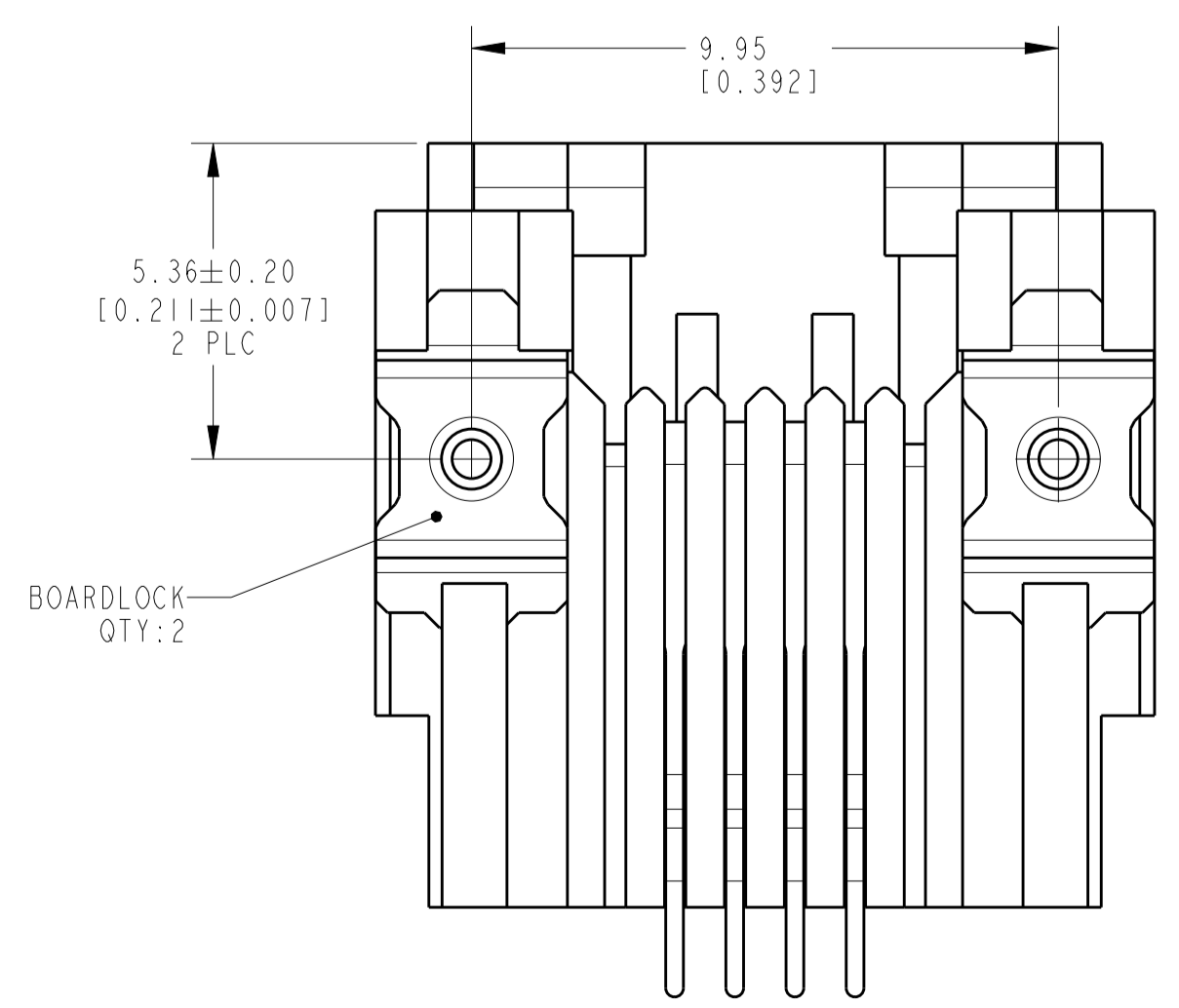
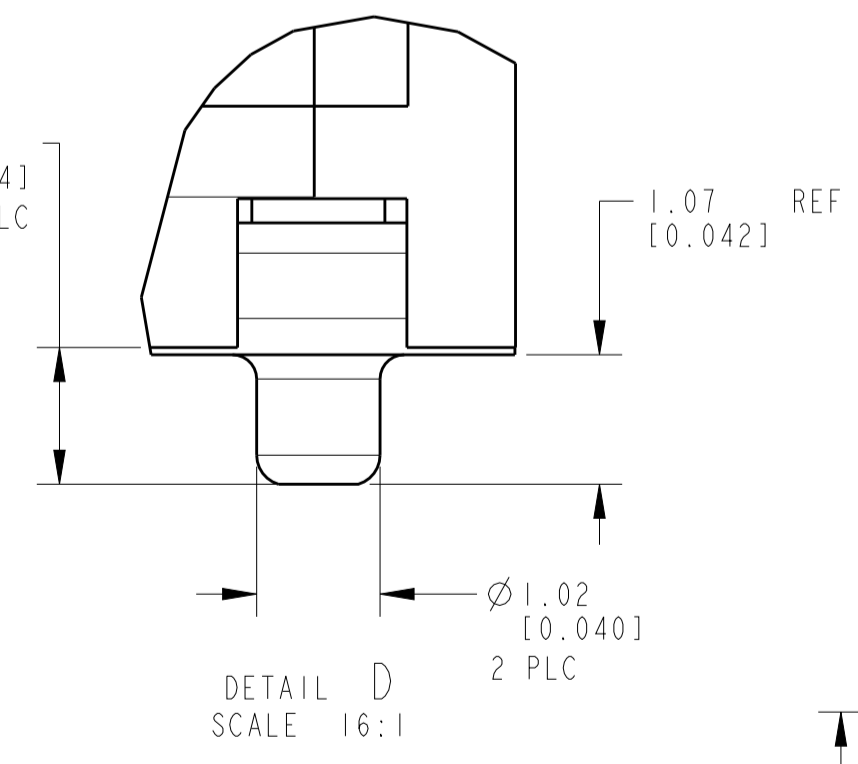
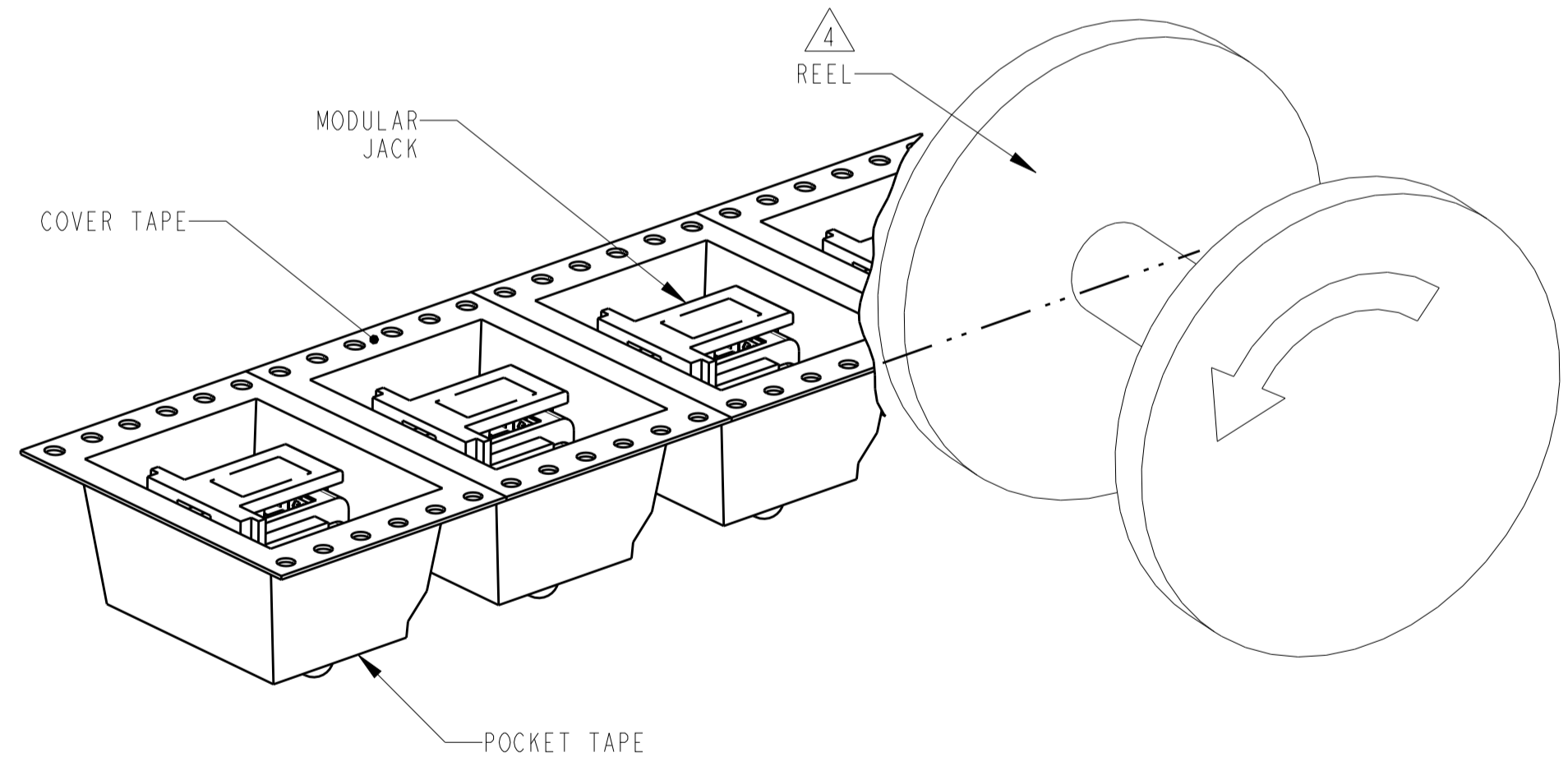
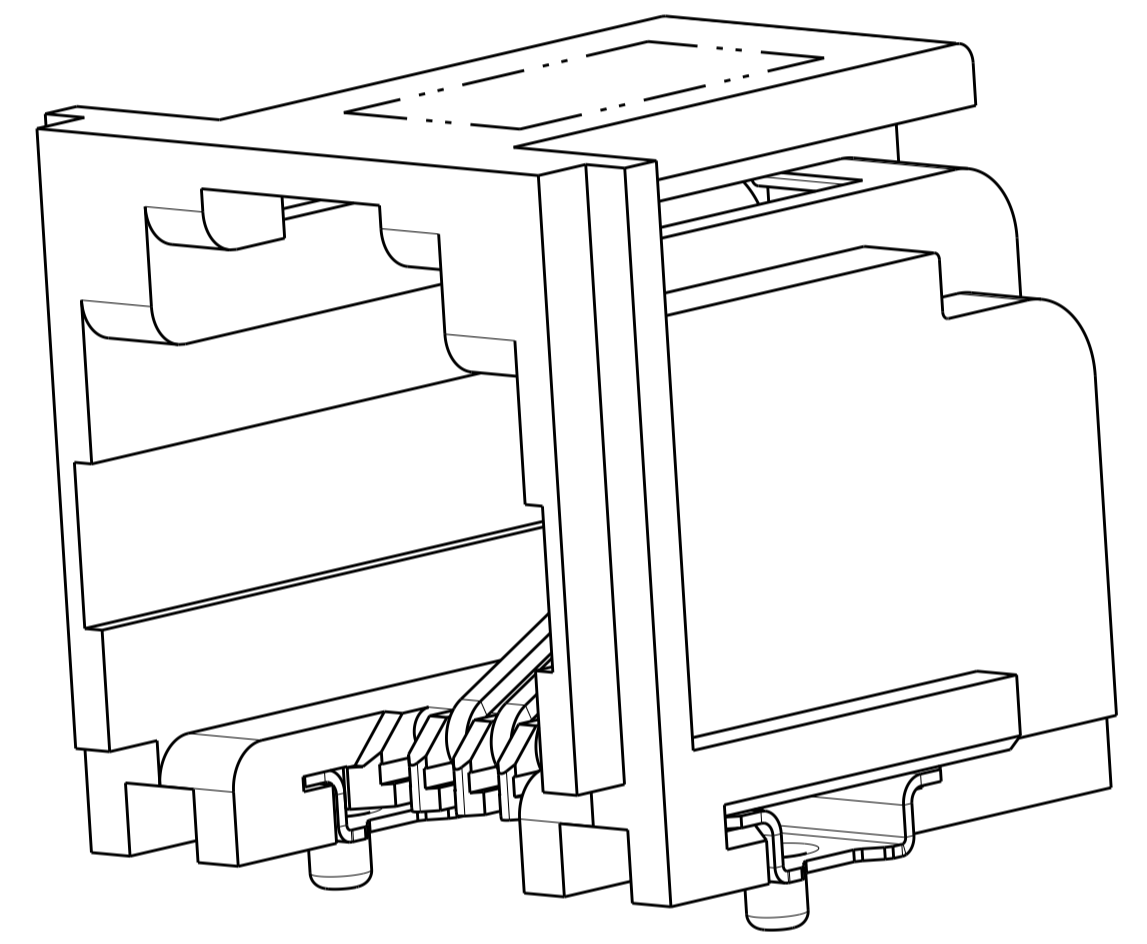
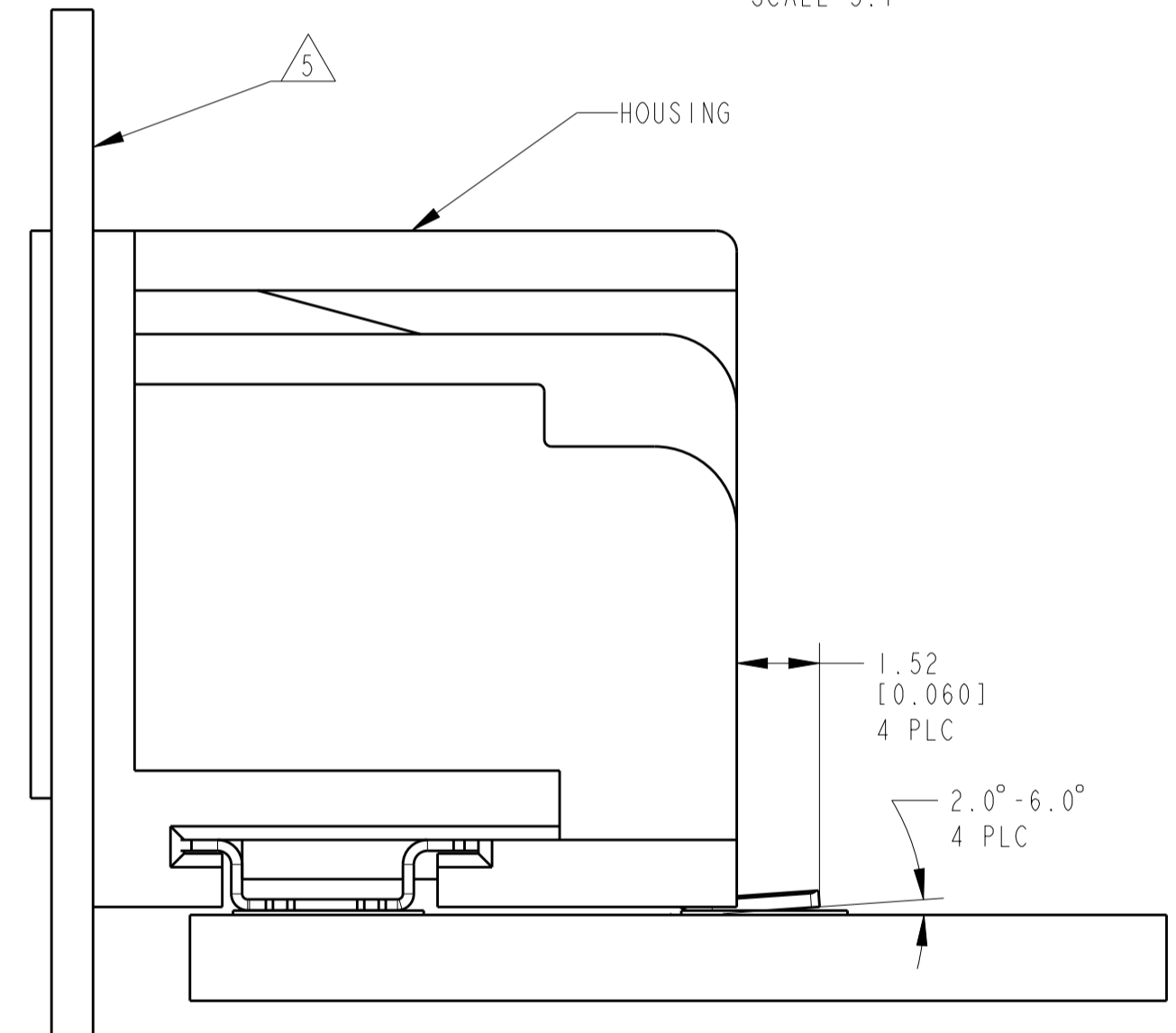
LOC	DIST	REVISIONS					
		P	LTN	DESCRIPTION	DATE	DWN	APVD
AA	22	A		REV PER ECOS11-0201-04	29-07-05	GA	SF
		B		ECO-06-025366	06-11-06	LAM	JW
		C		ECO-07-000895	17-01-07	LAM	JW
		C2		ECO-16-009006	15JUN2016	AD	SH



- 1 MATERIAL: HOUSING - HIGH TEMPERATURE THERMOPLASTIC, COLOR - PER PART NUMBER TABLE. TERMINALS - 0.31 [0.012] THICK COPPER ALLOY PLATED WITH (SEE TABLE) MINIMUM GOLD IN LOCALIZED GOLD PLATE AREA, 2.5 μm [0.000100] MINIMUM MATTE TIN ON TERMINATION END, BOTH OVER 1.27 μm [0.00050] MINIMUM NICKEL OVER ENTIRE TERMINAL. BOARDLOCK - PHOS BRONZE, 1/2 HARD, 3.81 μm [0.00150] MINIMUM MATTE TIN OVER 1.27 μm [0.00050] MINIMUM NICKEL ON TERMINAL END.
- 2 JACK CAVITY CONFORMS TO FCC 47 RULES AND REGULATIONS, PART 68 SUBPART F.
- 3 DATUM ESTABLISHED BY CUSTOMER.
- 4 PACKAGING TAPE AND REEL: (PER EIA 481 SPEC) 32mm WIDE TAPE, 24mm POCKET PITCH, 560mm REEL DIA, 600 PIECES PER REEL.
- 5 CONNECTOR SHOULD BE POSITIONED THROUGH PANEL CUTOUT AS SHOWN TO SUPPORT TOP OF MODULAR JACK FOR STRAIN RELIEF.
- 6 MANUFACTURING DATE CODE LOCATED APPROXIMATELY AS SHOWN. FIRST 2 DIGITS ARE YEAR, SECOND 2 DIGITS ARE WORK WEEK, AND LAST DIGIT IS THE DAY OF THE WEEK.



RECOMMENDED PRINTED CIRCUIT BOARD LAYOUT
 COMPONENT SIDE
 SCALE 5:1



RECOMMENDED PANEL CUTOUT
 SCALE 4:1

OBsolete	0.76 μm [0.00030]	GREEN	1-5406545-4
OBsolete	0.76 μm [0.00030]	BLACK	1-5406545-3
OBsolete	0.76 μm [0.00030]	GRAY	1-5406545-1
OBsolete	1.27 μm [0.00050]	GREEN	5406545-4
	1.27 μm [0.00050]	BLACK	5406545-3
	1.27 μm [0.00050]	GRAY	5406545-1
	MIN GOLD THICKNESS	COLOR	PART NUMBER

DIMENSIONS: mm [INCHES] 0 PLC ± 1 PLC ±0.131 [0.005] 2 PLC ± 3 PLC ± 4 PLC ± ANGLES ±		TOLERANCES UNLESS OTHERWISE SPECIFIED: 0 PLC ± 1 PLC ±0.131 [0.005] 2 PLC ± 3 PLC ± 4 PLC ± ANGLES ±		DWN G. ATTADIA 29 JUL 05 CHK J. WESTMAN 29 JUL 05 APVD S. FLICKINGER 29 JUL 05 PRODUCT SPEC 108-1689 APPLICATION SPEC 114-6040 WEIGHT - CUSTOMER DRAWING		Tyco Electronics Corporation 's-Hertogenbosch, Nederland NAME MODULAR JACK ASSEMBLY, 1 PORT, 6/4 POSN, SURFACE MOUNT, RIGHT ANGLE, WITH INWARD BOARDLOCKS SIZE CAGE CODE DRAWING NO RESTRICTED TO A 00779 C=5406545 SCALE 8:1 SHEET 1 OF 1 REV C2	
---	--	--	--	--	--	---	--