

THIS DRAWING IS UNPUBLISHED.

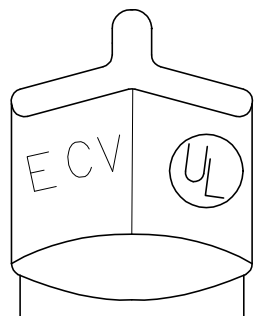
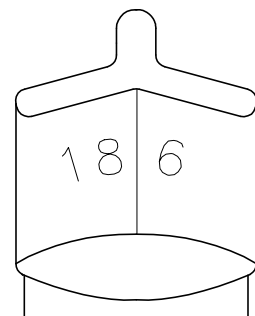
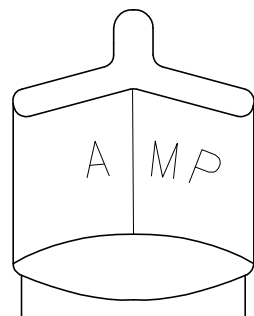
RELEASED FOR PUBLICATION

© COPYRIGHT - TE Connectivity Ltd.

ALL RIGHTS RESERVED.

REVISIONS

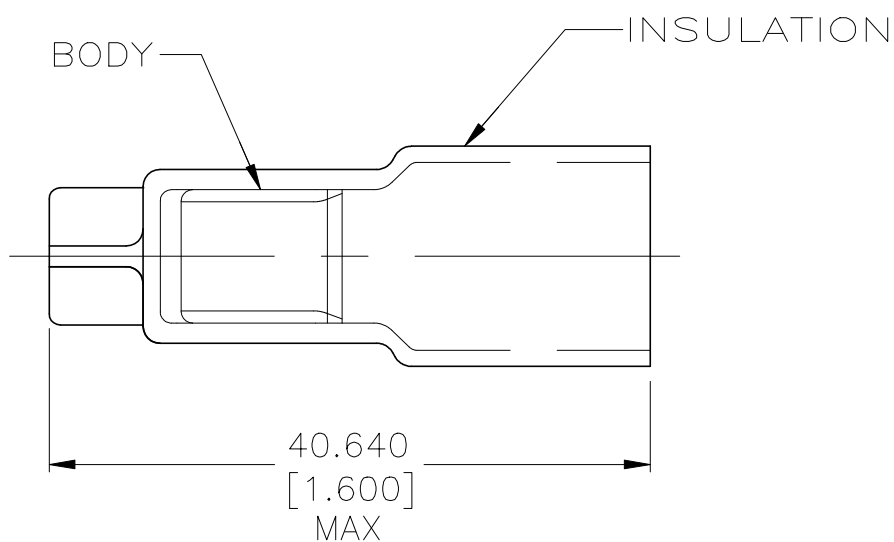
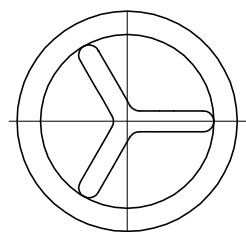
P	LTR	DESCRIPTION	DATE	DWN	APVD
J		REV PER 0G3A-0256-04	13APR04	JR	TM
J1		REVISED PER ECO-19-003379	03JUL2019	RS	DR



STAMPING DETAIL

- 1 FOR 12.700 [.500] MAX WIRE INSULATION DIA
- 2 MATERIAL: BODY; COPPER PER ASTM B152 INSULATION; PVC
- 3 FINISH: COLOR; BLUE

<b>AMP</b> WIRE RANGE	Listed
18-6 AWG SOLID OR STRANDED	18-6 AWG SOLID OR STRANDED



250	LOOSE PIECE	53891-1
QTY	DESCRIPTION	PART NO

AMP INCORPORATED  
CUSTOMER SERVICE SYSTEMS

MAX RECOMMENDED OPERATING TEMPERATURE:

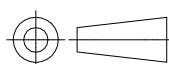
105°C [221°F] MAX

VOLTAGE RATING:  
600V MAX (BUILDING & WIRING)  
1000V MAX (FIXTURES & SIGNS)

CIRCULAR MIL AREA:  
9.88-21.64mm<sup>2</sup>[19500-42700]  
SOLID OR STRANDED

THIS DRAWING IS A CONTROLLED DOCUMENT.

DIMENSIONS:  
mm [INCHES]



TOLERANCES UNLESS OTHERWISE SPECIFIED:

- 0 PLC ± -
- 1 PLC ± -
- 2 PLC ± 0.203[.008]
- 3 PLC ± -
- 4 PLC ± -
- ANGLES ± -

MATERIAL



FINISH



DWN 12/21/92

G KRUPER

CHK 1-8-93

R HERSEY

APVD 1-8-93

M ELLIS

PRODUCT SPEC

UL486C

APPLICATION SPEC

—

WEIGHT —

CUSTOMER DRAWING



NAME  
SPLICE, WIRE, CLOSED END  
18-6 AWG

SIZE CAGE CODE DRAWING NO RESTRICTED TO

A3 00779 C=53891

SCALE 2:1 SHEET 1 OF 1 REV J1

FOR ORDER ENTRY 1-800-526-5142

FOR ADDITIONAL PRODUCT INFORMATION OR COPIES OF DRAWINGS AND TECHNICAL DOCUMENTS

PRODUCT INFORMATION CENTER  
1-800-522-6752

FOR APPLICATION TOOLING INFORMATION

TOOLING ASSISTANCE CENTER  
1-800-722-1111

1470-19 (1/15)