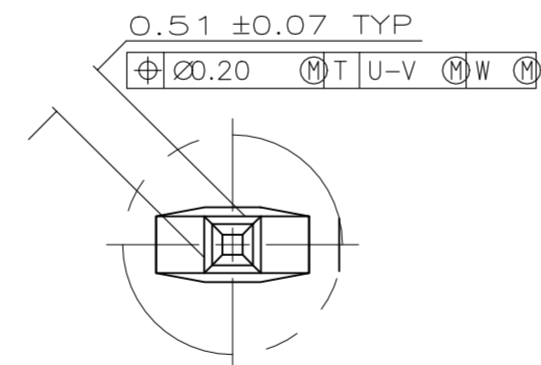
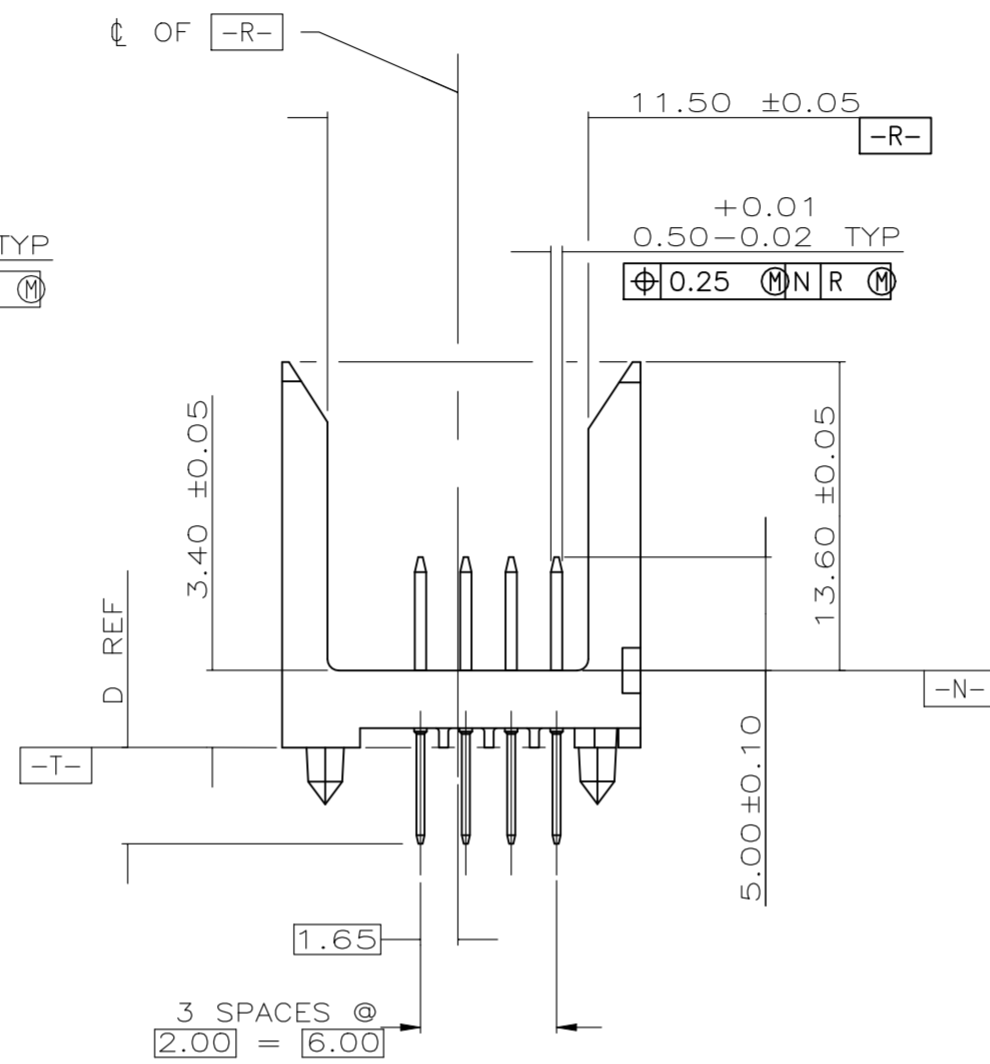
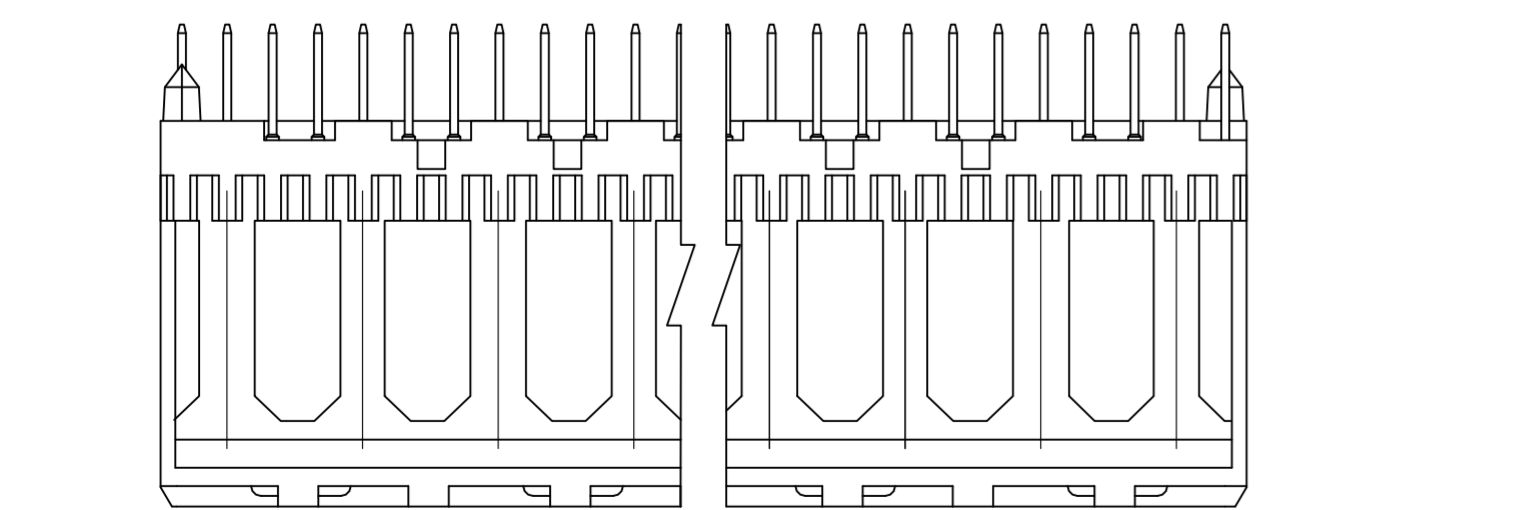
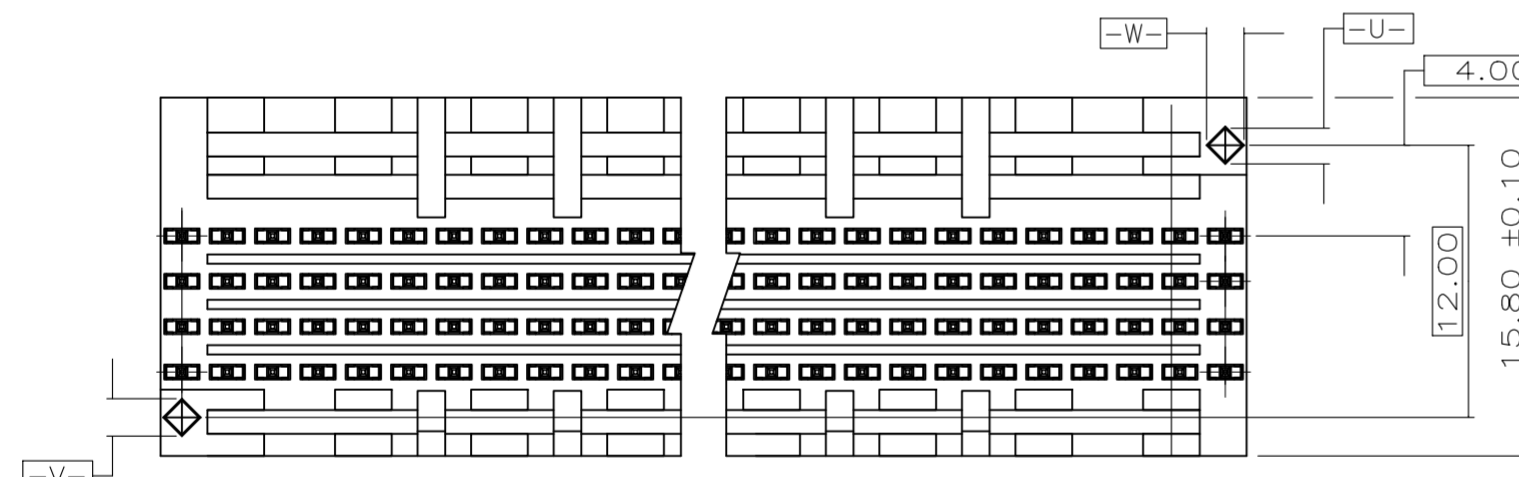
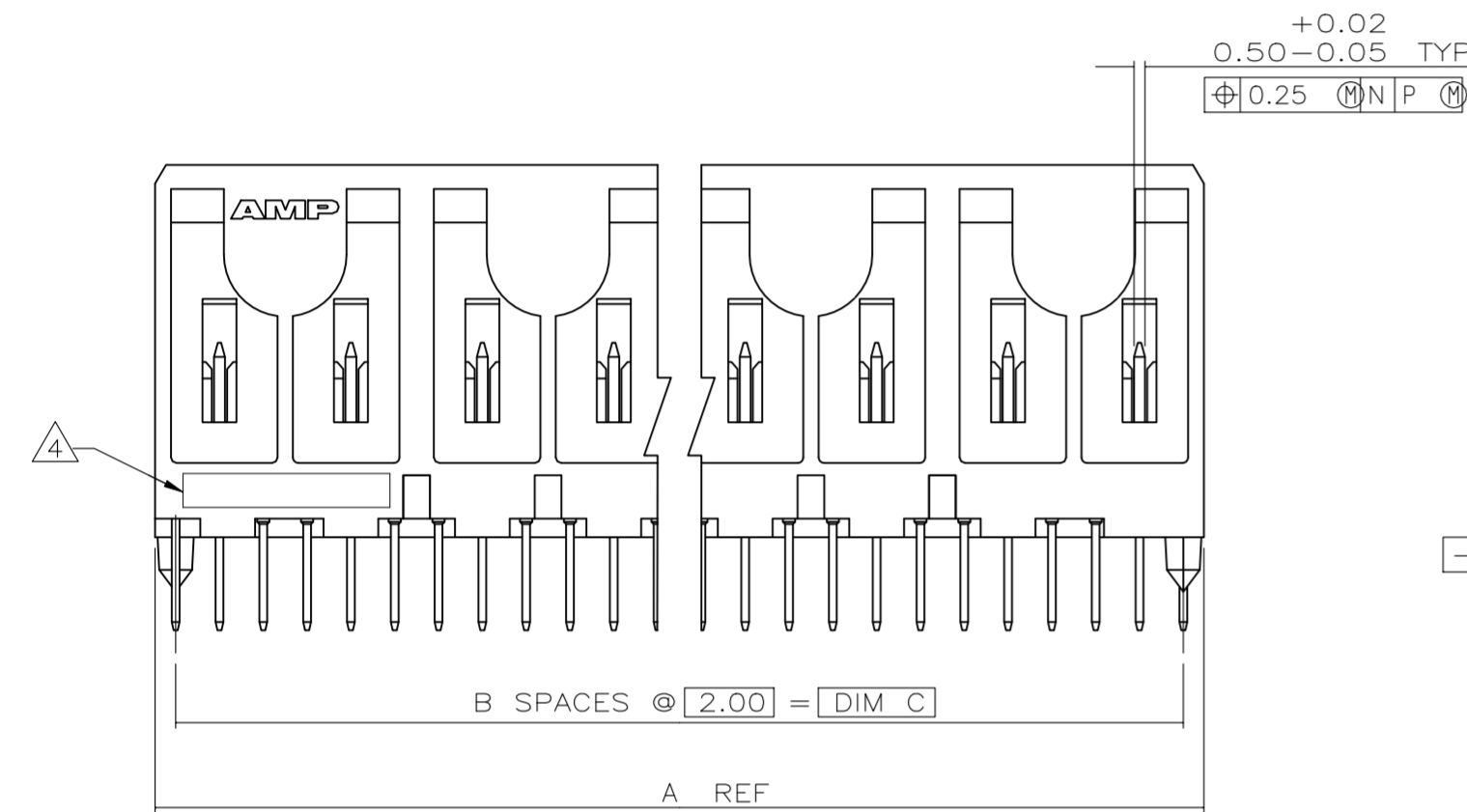
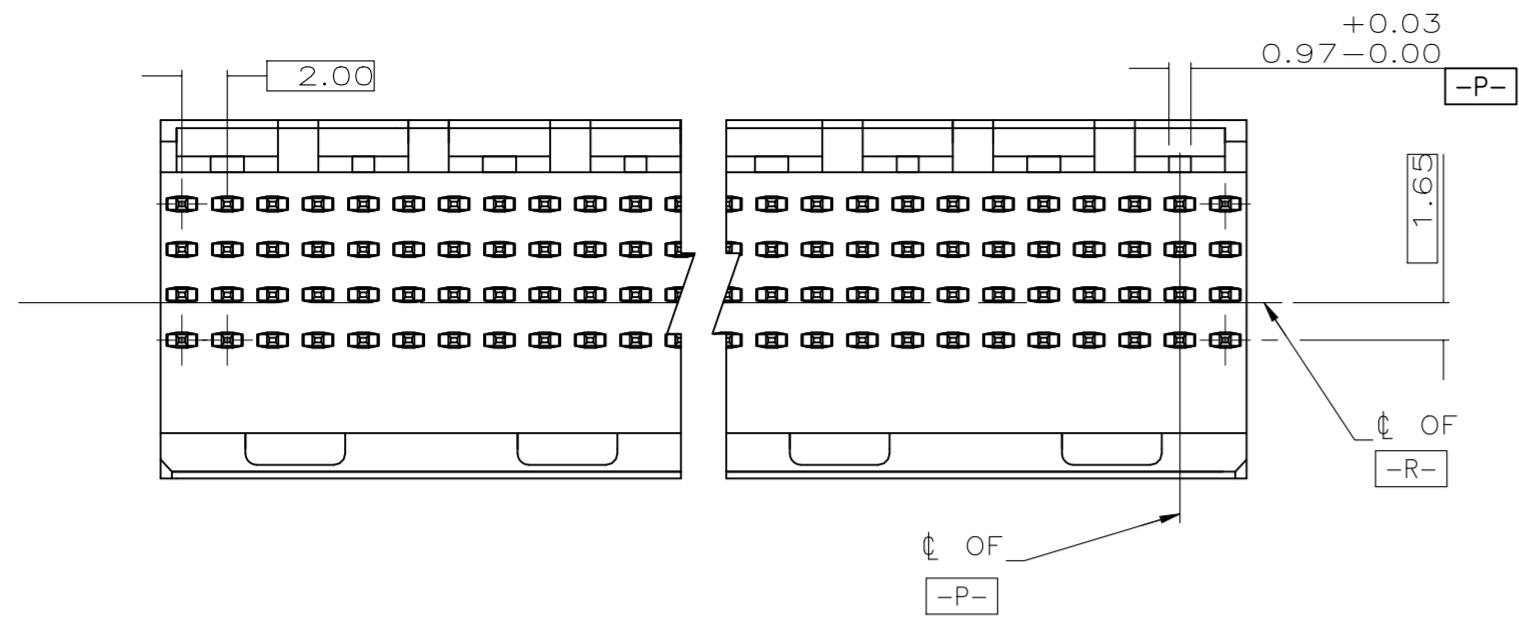
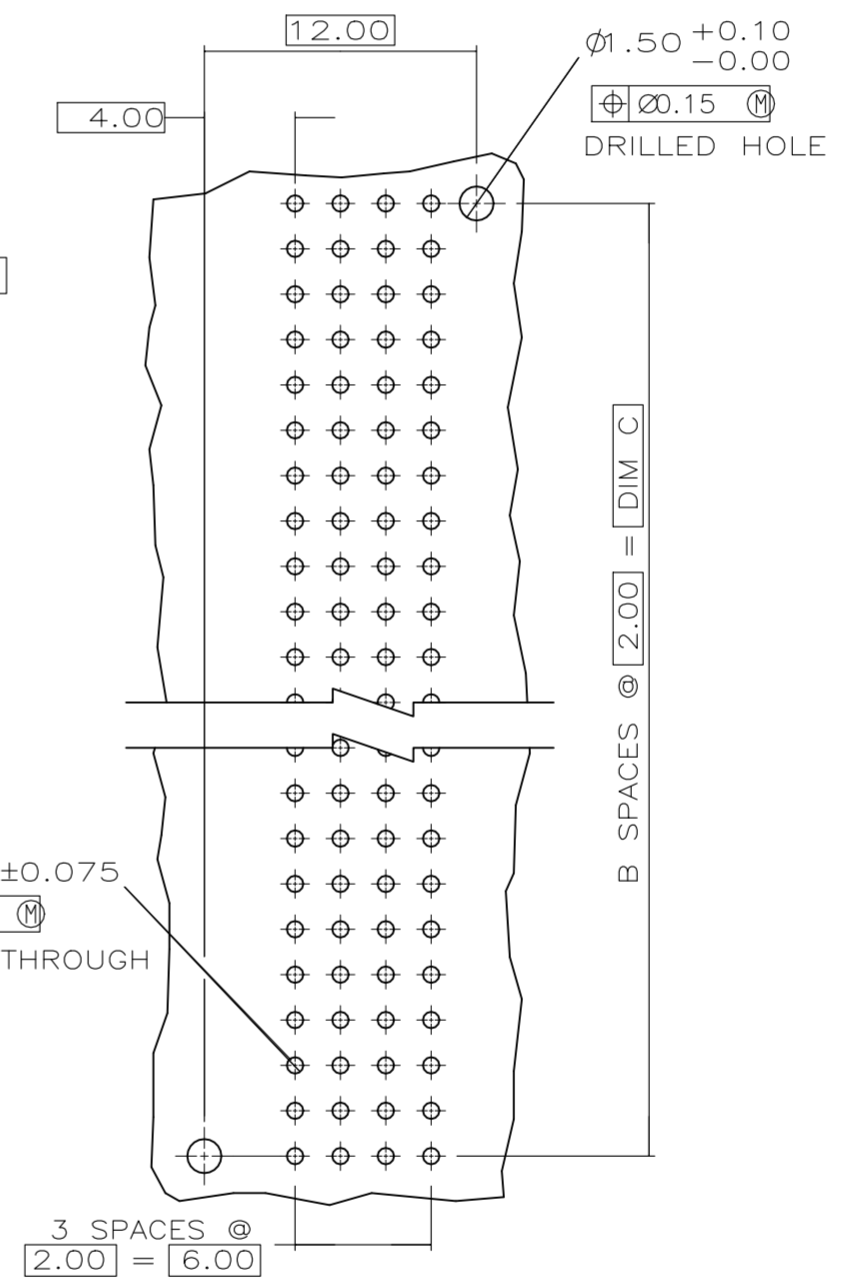


REVISIONS					
P	LTR	DESCRIPTION	DATE	DWN	APVD
M2		REVISED PER ECN-22-135240	31JAN2022	NV	HL



DETAIL Z
SCALE 20:1

- 1 HOUSING MATERIAL: LIQUID CRYSTAL POLYMER PER ASTM D5138 LCPO00 G30A 32250.
- 2 CONTACT MATERIAL: PHOSPHOR BRONZE.
- 3 CONTACT FINISH:
UNDERPLATE (ENTIRE CONTACT):
0.00127 MIN NICKEL.
ON MATING SURFACES:
CONFORMS TO ALL TESTING SPECIFIED FOR TELCORDIA
UNCONTROLLED ENVIRONMENT.
ON LEADS
0.00381 MIN TIN-LEAD OVER UNDERPLATE.
LUBRICATION (ENTIRE CONTACT):
SURFACE CONDITIONER PER AMP SPEC 112-1002 AFTER PLATING.
- 4 PART MARKING PER AMP INCORPORATED SPECIFICATION 115-9009, LOCATED APPROXIMATELY AS SHOWN.



RECOMMENDED CIRCUIT PATTERN
PER IPC-D300 TYPE II, CLASS C
(COMPONENT SIDE)

	D	C	B	A	FINISH	NO OF POSN	NUMBER
					3	144	536513-5
					3	192	536513-4
					3	96	536513-3
					3	48	536513-2
					3	24	536513-1

THIS DRAWING IS A CONTROLLED DOCUMENT.		DWN	D.R.BENDER	04/01/93	TE TE Connectivity			
DIMENSIONS: mm		CHK	S.HEADER	04/05/93				
TOLERANCES UNLESS OTHERWISE SPECIFIED:		APVD	D.BAECHTLE	04/02/93	NAME PIN ASSEMBLY, SIGNAL MODULE, Z-PACK 2mm FB 2mm			
0 PLC	± -	PRODUCT SPEC			SIZE	CAGE CODE	DRAWING NO	RESTRICTED TO
1 PLC	± -	APPLICATION SPEC			WEIGHT	0.000000	A2 00779	C=536513
2 PLC	± 0.13				CUSTOMER DRAWING	SCALE	4:1	SHEET
3 PLC	± -							1 of 1
4 PLC	± -							REV
ANGLES	± -							M2
FINISH	3							