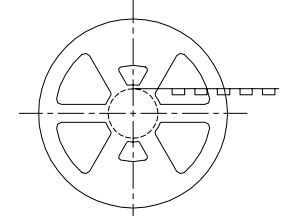
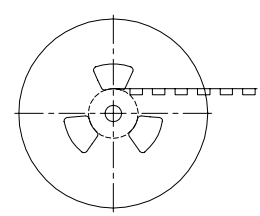
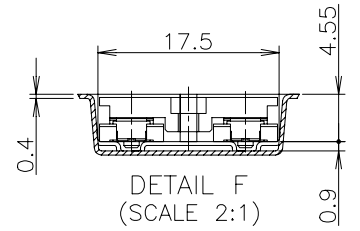
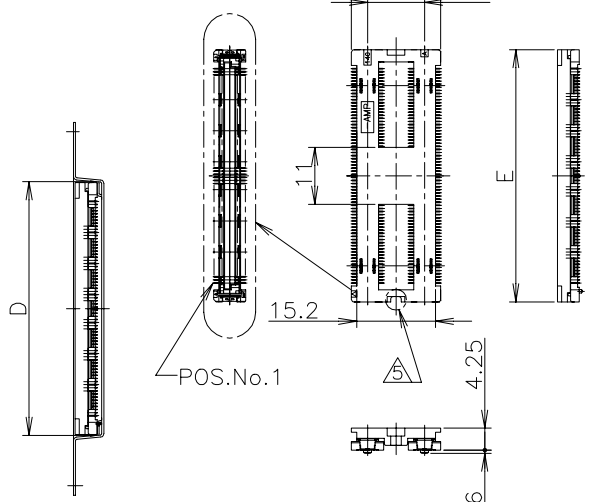
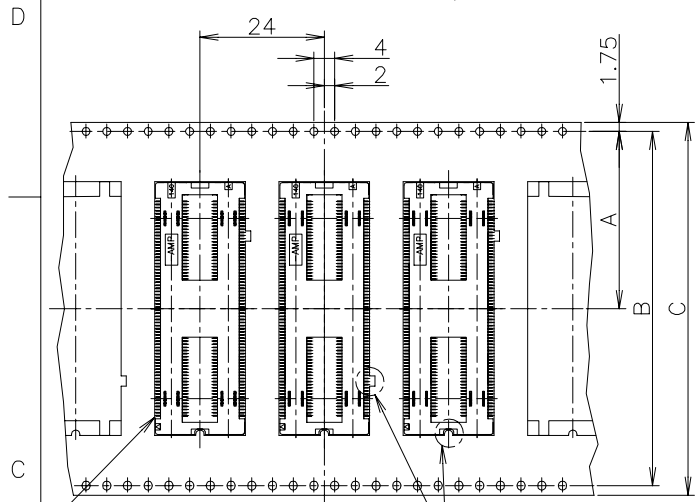


REVISIONS				
変更				
P	LTR	DESCRIPTION	DATE	APVD
B		ECO-20-017853: G-CONTACT TAIL GOLD FLASH	18DEC2020	A.L H.L

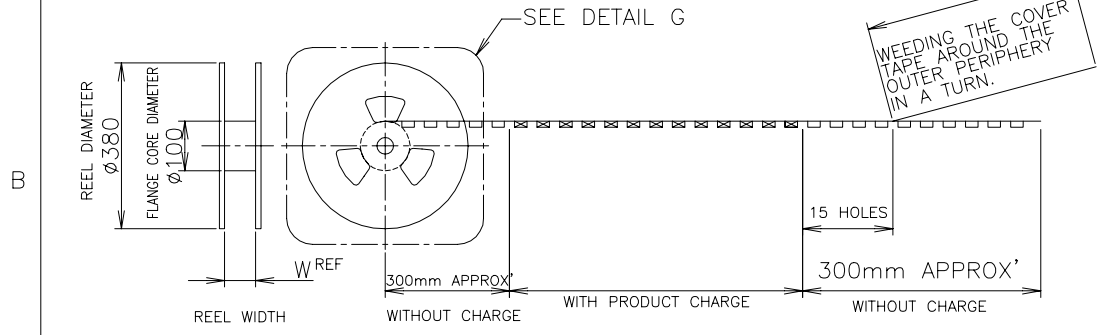


CONNECTOR DETAIL

PAPER REEL

PLASTIC REEL

DETAIL G



SEALANT	REEL	TOOLING STATUS	QTY	W	E	D	C	B	A	POS.	PART NO.
---	NOT AVAILABLE	650	77.5	54.7	55	72	68.4	34.2	320	6-5353906-1	
---	NOT AVAILABLE	↑	77.5	48.7	49	72	68.4	34.2	280	6-↑-0	
---	NOT AVAILABLE	↑	61.5	42.7	43	56	52.4	26.2	240	5-↑-9	
---	NOT AVAILABLE	650	61.5	36.7	37	56	52.4	26.2	200	5-5353906-8	
---	NOT AVAILABLE	650	77.5	54.7	55	72	68.4	34.2	320	1-5353906-1	
PLASTIC	AVAILABLE	↑	77.6	48.7	49	72	68.4	34.2	280	1-↑-0	
---	NOT AVAILABLE	↑	61.5	42.7	43	56	52.4	26.2	240	↑-9	
---	NOT AVAILABLE	650	61.5	36.7	37	56	52.4	26.2	200	5353906-8	

- △ THIS PRODUCT WAS COATED BY FLUX-PENETRATION -INHIBITING AGENT.
- △ CAP HOUSING AND EMBOSS TAPE FOR ONLY 280P HAS THESE ORIENTATION AND SUNK FEATURES.

THIS DRAWING IS A CONTROLLED DOCUMENT.

DIMENSIONS: 單位: 耗 mm	TOLERANCES UNLESS OTHERWISE SPECIFIED: 一般公差	DWN HAWKING HE 13DEC04	TE Connectivity Ltd.
0 PLC ± 0.2 1 PLC ± 0.2 2 PLC ± 0.2 3 PLC ± 0.2 4 PLC ANGLES ± 5'	FINISH 仕上	CHK STEVEN YAO 13DEC04	
MATERIAL 材料		APVD I.ENOMOTO 13DEC04	NAME 名称
		PRODUCT SPEC 製品規格 108-60047	EMBOSS ASSY
		APPLICATION SPEC 取付適用規格 114-5255	FH 0.6BTB REC. 4H 2ROW TYPE
		WEIGHT	W/G-CONT ONE SIDE BOSS LESS TYPE
		CUSTOMER DRAWING	SIZE A3
			CAGE CODE 00779
			DRAWING NO. 番号 G=5353906
			RESTRICTED TO
			SCALE 尺度 1:1
			SHEET 1 OF 3
			REV B

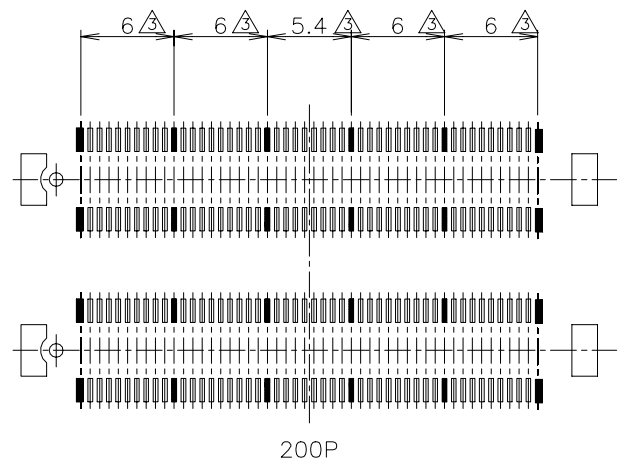
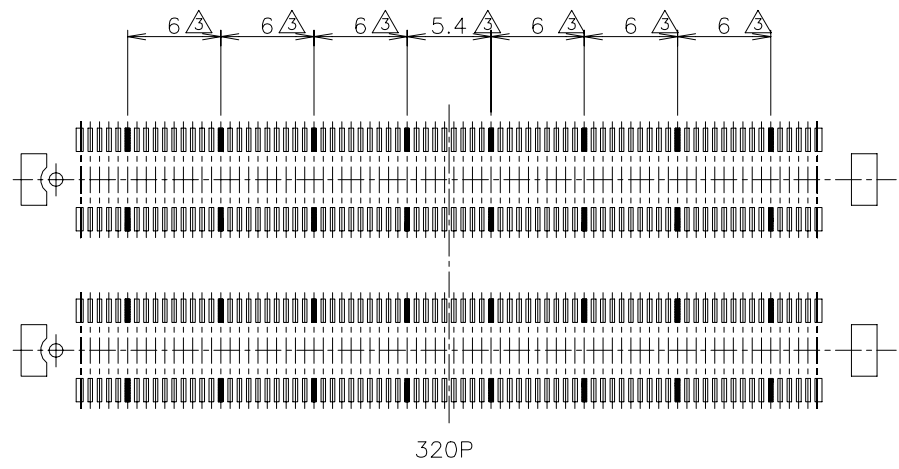
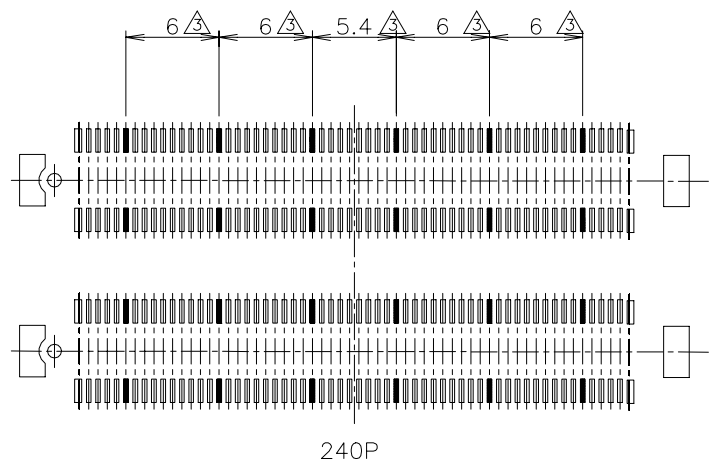
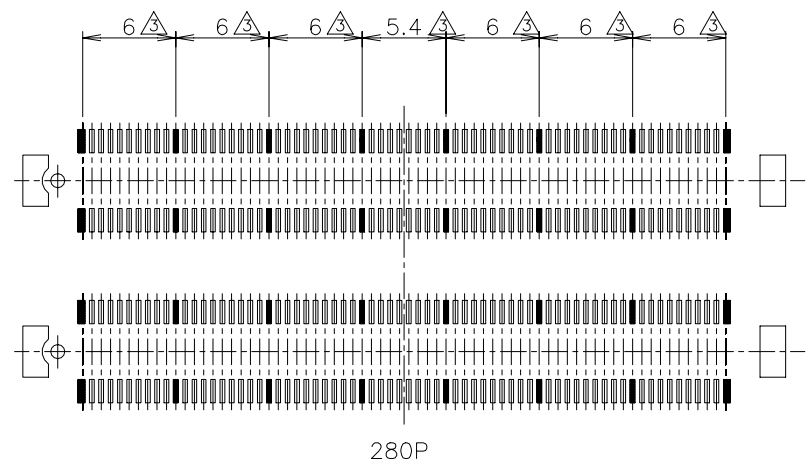
4

3

2

1

REVISIONS					
変更					
P	LTR	DESCRIPTION	DATE	DWN	APVD
	-	SEE SHEET 1	-	-	-



GENERAL TOLERANCE
一般公差

10 ≥: ±0.2
30 ≥ >10: ±0.25
100 ≥ >30: ±0.3
ANGLES: ±3°

THIS DRAWING IS A CONTROLLED DOCUMENT.

DIMENSIONS: 单位: 耗 mm	TOLERANCES UNLESS OTHERWISE SPECIFIED: 一般公差	DWN	TE Connectivity Ltd. NAME 名称 EMOSS ASSY FH 0.6BTB CONNECTOR REC. 4H 2ROW TYPE W/G-CONT ONE SIDE BOSS LESS TYPE	
MATERIAL 材料	FINISH 仕上	CHK		PRODUCT SPEC 製品规格
		APVD		APPLICATION SPEC 取付適用规格
0 PLC ± - 1 PLC ± - 2 PLC ± - 3 PLC ± - 4 PLC ± - ANGLES ± -		WEIGHT		SIZE CAGE CODE DRAWING NO 番号
CUSTOMER DRAWING		A3 00779 C=5353906		
		SCALE 尺度 3:1	SHEET 3 OF 3	
		REV B		