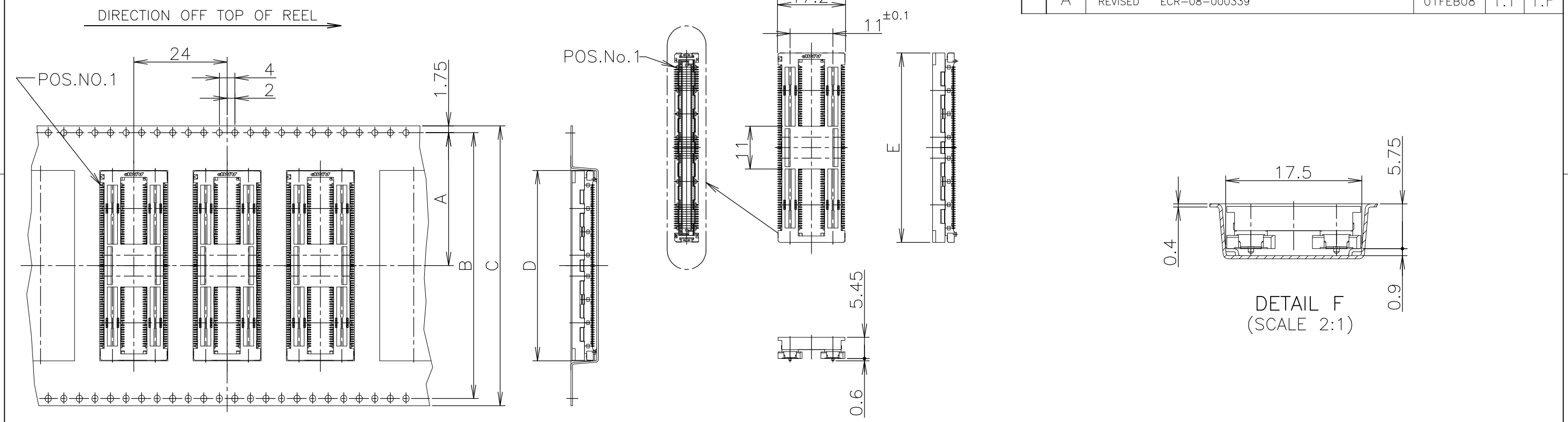


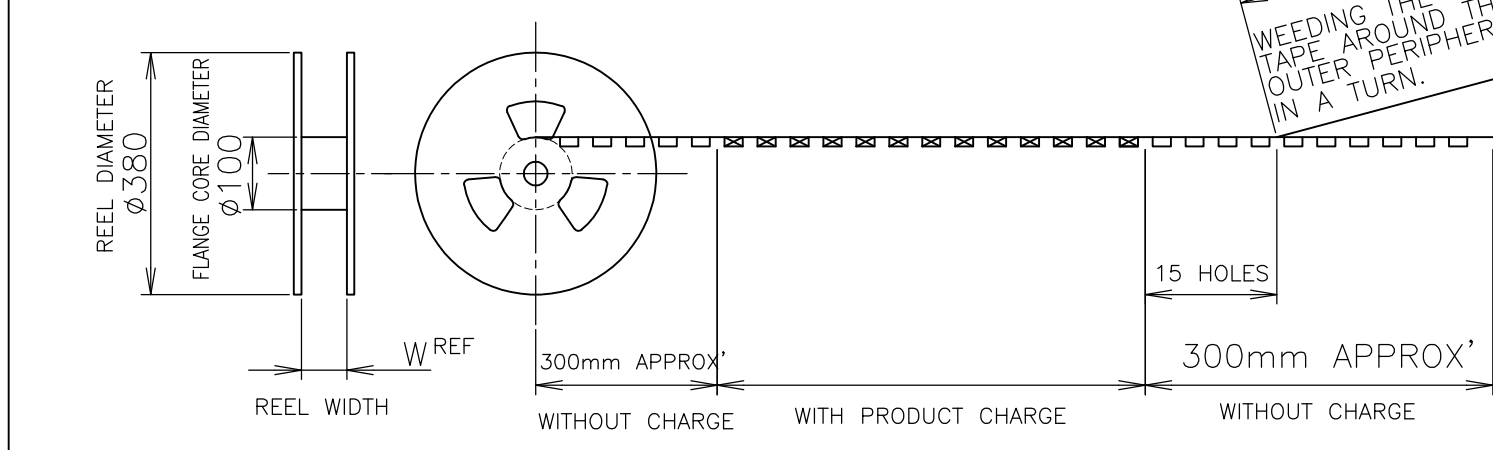
THIS DRAWING IS UNPUBLISHED. RELEASED FOR PUBLICATION JUN , 1996.  
 © COPYRIGHT 1996 BY TYCO ELECTRONICS CORPORATION. ALL RIGHTS RESERVED.

LOC	DIST	REVISIONS					
		P	LTR	DESCRIPTION	DATE	DWN	APVD
J		A	REVISED	ECR-08-000339	01FEB08	T.T	T.F



CONNECTOR DETAIL

WEEDING THE COVER TAPE AROUND THE OUTER PERIPHERY IN A TURN.



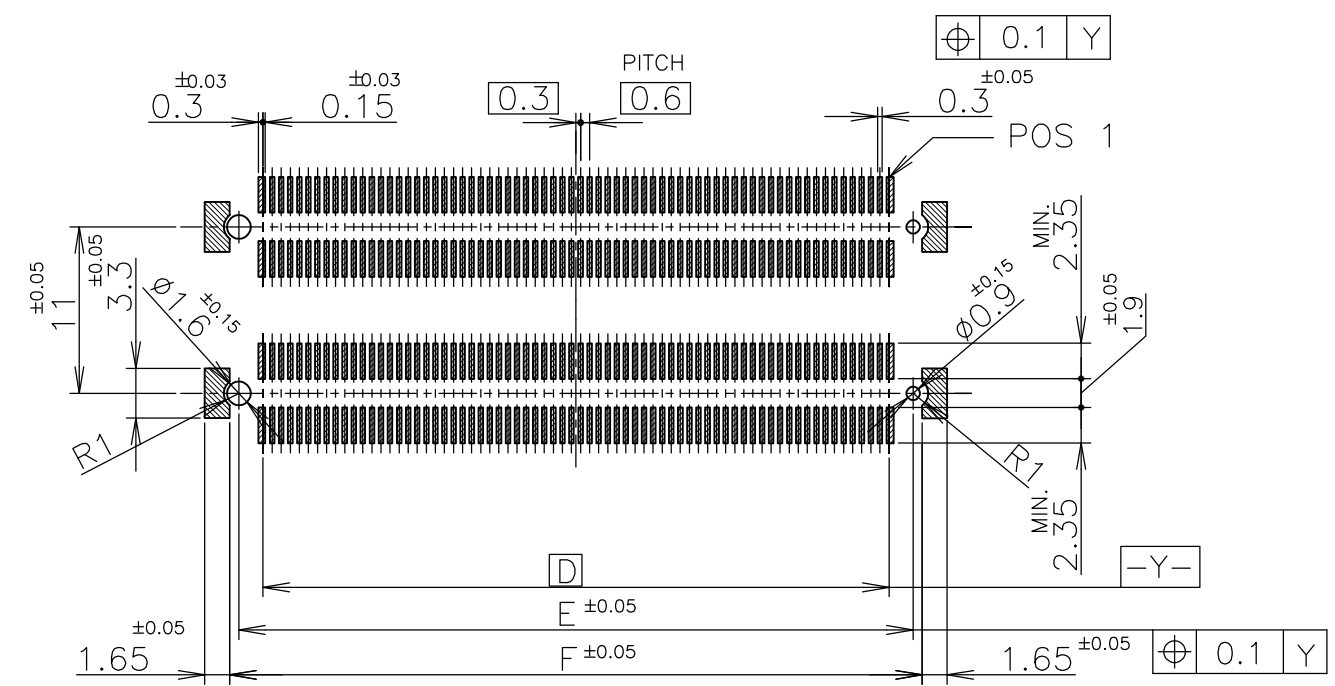
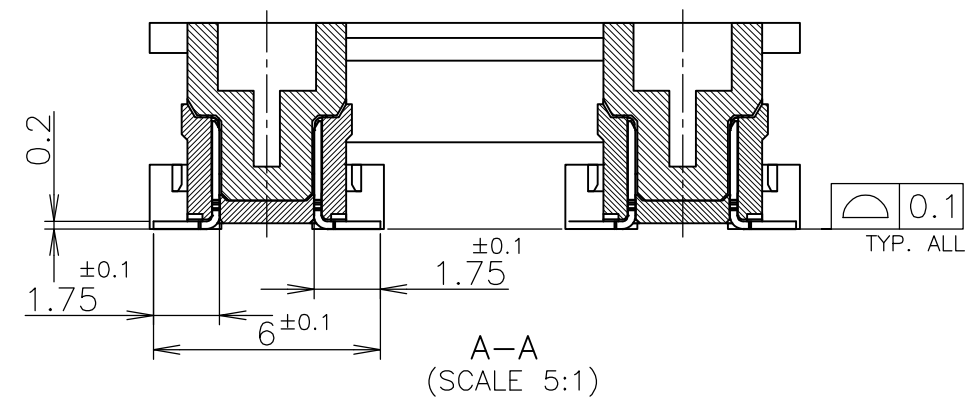
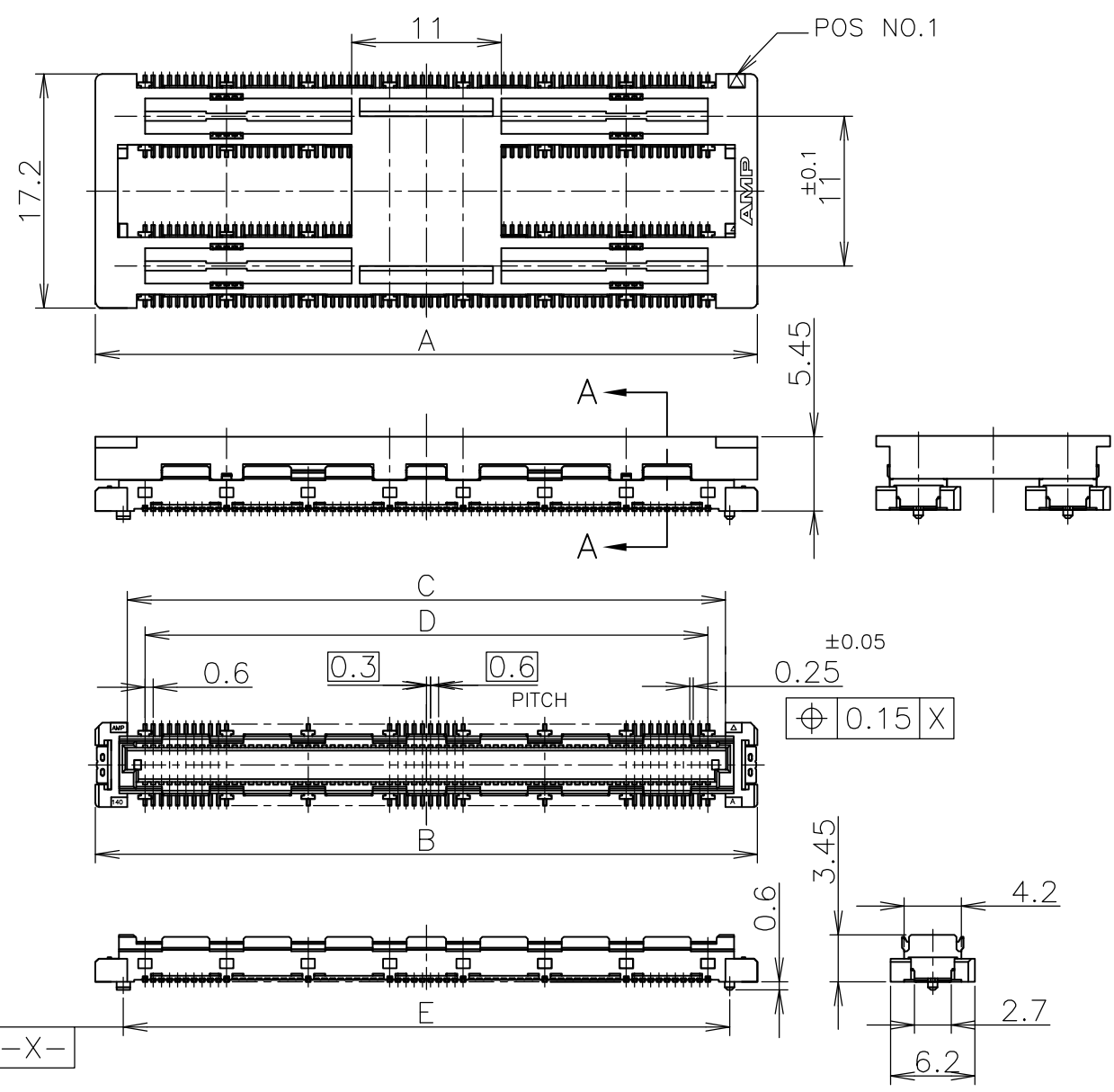
THIS PRODUCT WAS COATED BY FLUX-PENETRATION -INHIBITING AGENT.

SEALANT	NOT AVAILABLE	550	77.5	54.7	55	72	68.4	34.2	320	6-5353284-1
	AVAILABLE	↑	77.5	48.7	49	72	68.4	34.2	280	6- ↑ -0
NON SEALANT	NOT AVAILABLE	↑	61.5	42.7	43	56	52.4	26.2	240	5- ↑ -9
	NOT AVAILABLE	↑	61.5	36.7	37	56	52.4	26.2	200	5-5353284-8
NON SEALANT	NOT AVAILABLE	↑	77.5	54.7	55	72	68.4	34.2	320	1-5353284-1
	AVAILABLE	↑	77.5	48.7	49	72	68.4	34.2	280	1- ↑ -0
NON SEALANT	NOT AVAILABLE	↑	61.5	42.7	43	56	52.4	26.2	240	↑ -9
	NOT AVAILABLE	↑	61.5	36.7	37	56	52.4	26.2	200	5353284-8
SEALANT	TOOLING STATUS	QTY.	W	E	D	C	B	A	POS.	PART NO.

THIS DRAWING IS A CONTROLLED DOCUMENT.		DWN	HAWKING HE	14DEC04	Tyco Electronics Corporation Kawasaki, Japan	
DIMENSIONS: 单位: 耗 mm		CHK	STEVEN YAO	14DEC04		
TOLERANCES UNLESS OTHERWISE SPECIFIED: 一般公差		APVD	I.ENOMOTO	14DEC04	NAME 名称	
0 PLC ± 0.2		PRODUCT SPEC		EMBOSS ASSY		
1 PLC ± 0.2		製品規格		FH 0.6BTB CONNECTOR		
2 PLC ± 0.2		APPLICATION SPEC		PLUG 4H 2ROW TYPE		
3 PLC ± 0.2		取付適用規格		SIZE	CAGE CODE	DRAWING NO
4 PLC ± 0.2		FINISH 仕上		A3	00779	G-5353284
MATERIAL 材料		WEIGHT		RESTRICTED TO		
		CUSTOMER DRAWING		SCALE 尺度	SHEET	REV
				1:1	1 OF 3	A

THIS DRAWING IS UNPUBLISHED. RELEASED FOR PUBLICATION JUN , 1996.  
 © COPYRIGHT 1996 BY TYCO ELECTRONICS CORPORATION. ALL RIGHTS RESERVED.

LOC	DIST	REVISIONS			DATE	DWN	APVD
J		P	LTR	DESCRIPTION			
				SEE SHEET 1	-	-	-



- 1 MATERIAL ; HOUSING : HIGH TEMP THERMO PLASTIC UL94V-0  
CONTACT : COPPER ALLOY
- 2 FINISH ; UNDER PL Ni 0.0013mm MIN ALL OVER.  
CONTACT AREA 0.0002 MIN Au PL.  
SOLDERING AREA 0.001 MIN TIN PL.
- 3 THIS POSITION IS GROUND CIRCUIT.

GENERAL TOLERANCE  
一般公差

10 ≥	±0.2
30 ≥	>10: ±0.25
100 ≥	>30: ±0.3
ANGLES: ±3°	

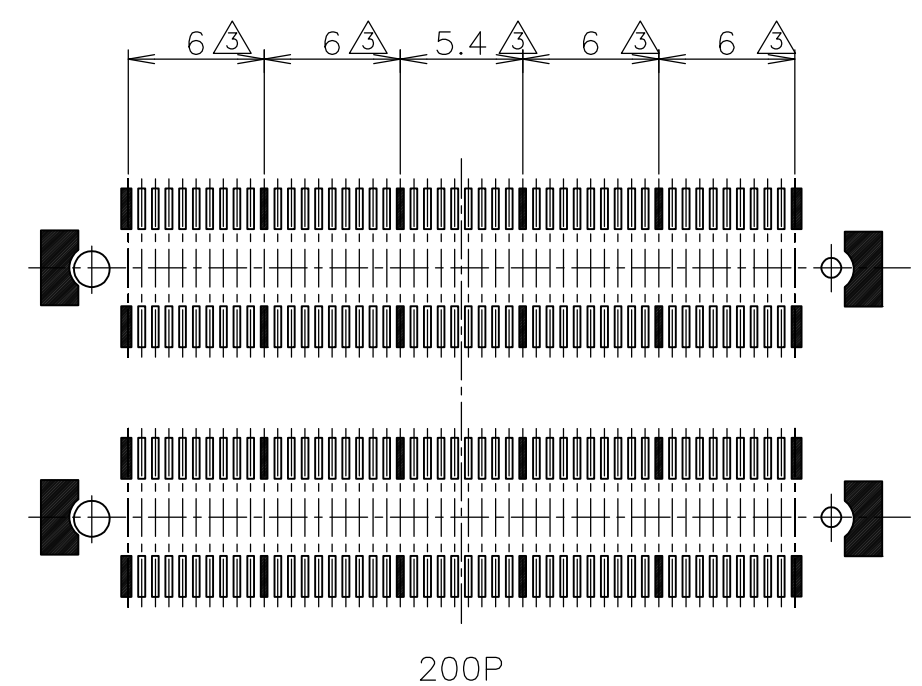
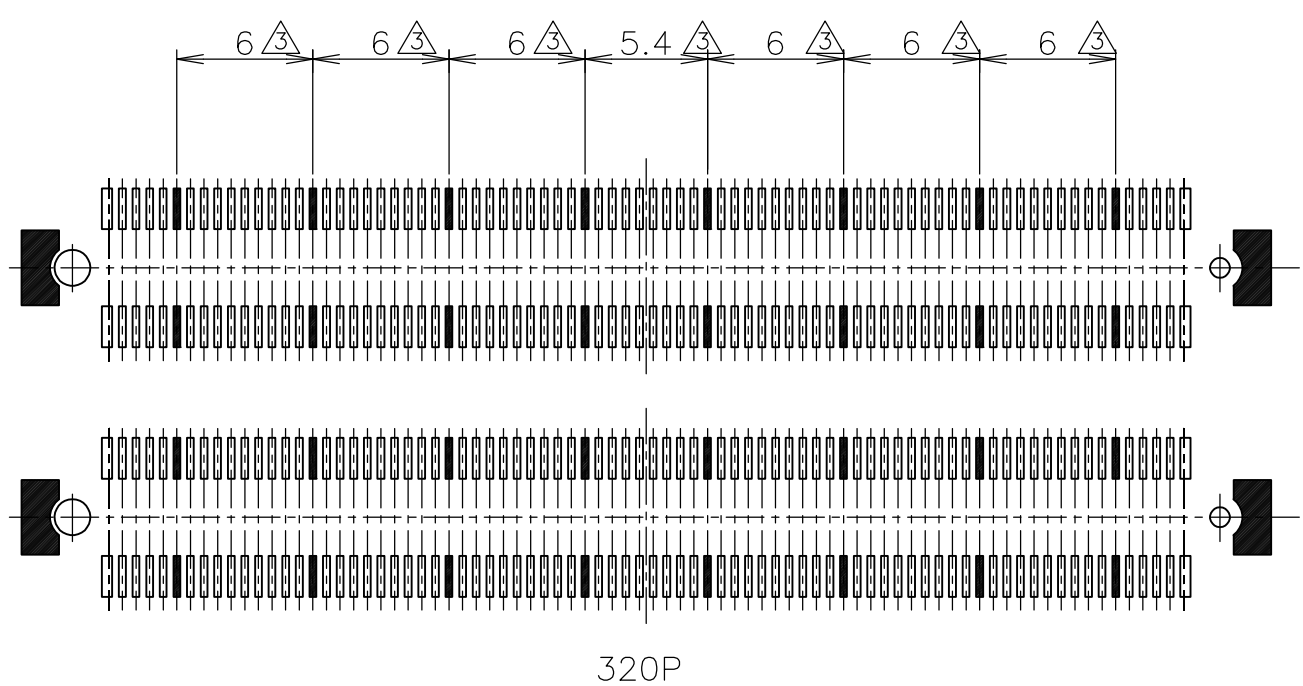
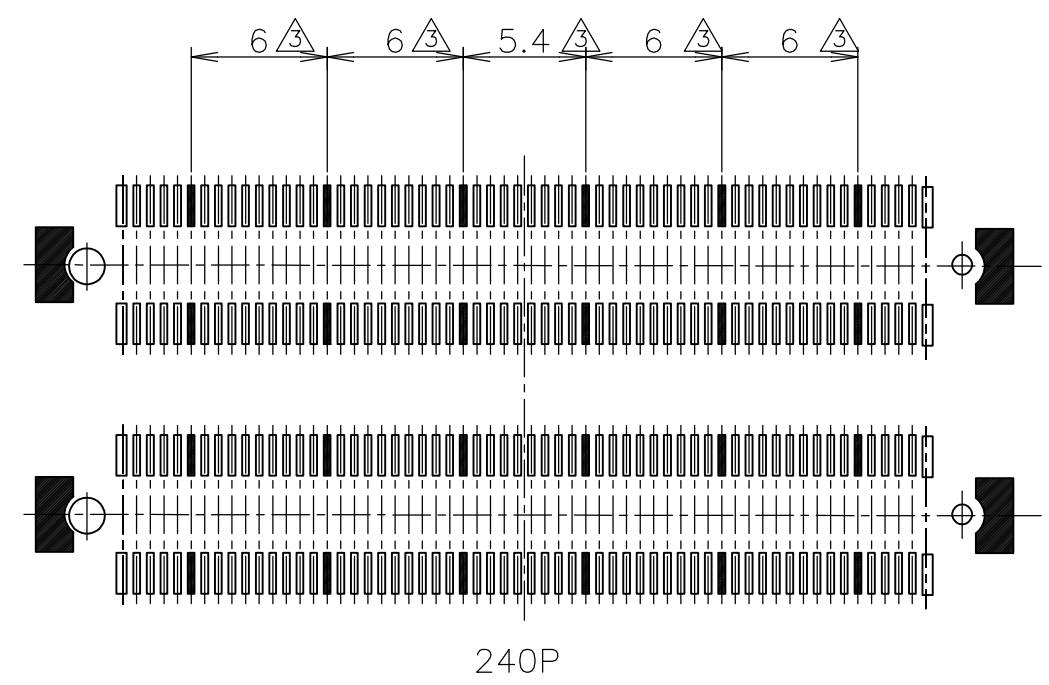
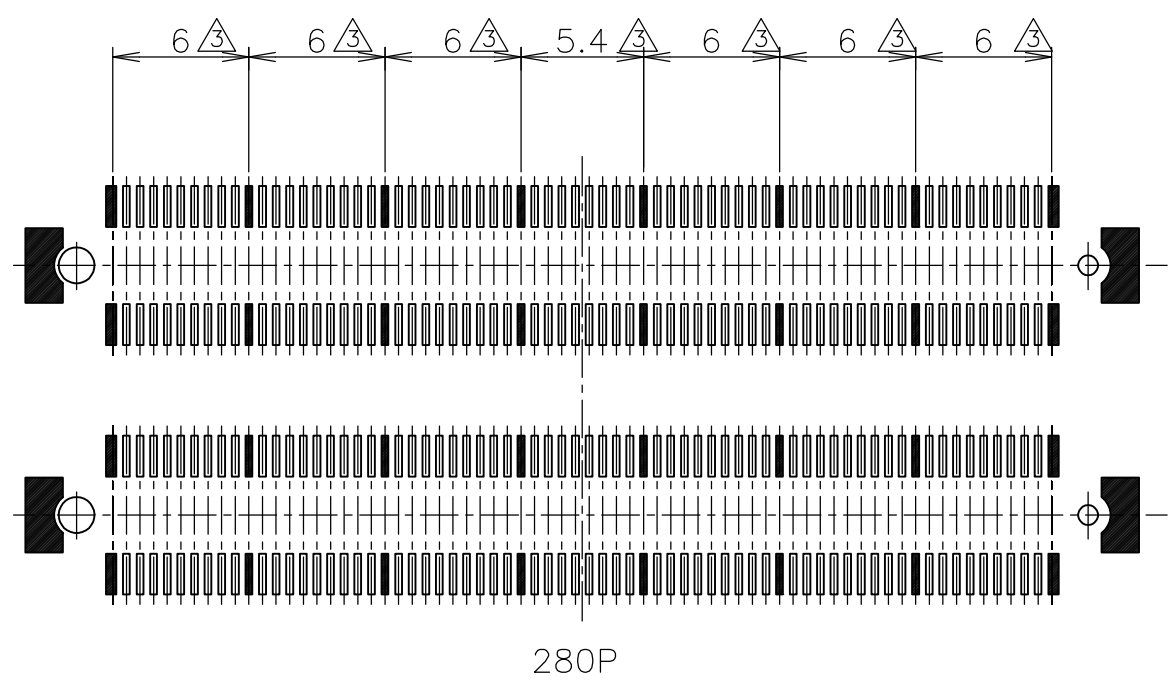
THIS DRAWING IS A CONTROLLED DOCUMENT.

DIMENSIONS: 単位: 耗 mm	TOLERANCES UNLESS OTHERWISE SPECIFIED: 一般公差	DWN	Tyco Electronics Corporation Kawasaki, Japan	
	0 PLC ± -	CHK	NAME 名称	
	1 PLC ± -	APVD	EMBOSS ASSY	
	2 PLC ± -	PRODUCT SPEC 製品規格	FH 0.6BTB CONNECTOR	
	3 PLC ± -	APPLICATION SPEC 取付適用規格	PLUG 4H 2ROW TYPE	
4 PLC ± -	ANGLES ± -	WEIGHT	SIZE	CAGE CODE
FINISH 仕上			A3	00779
			DRAWING NO 番号	G-5353284
			RESTRICTED TO	
			CUSTOMER DRAWING	SCALE 尺度 2:1
				SHEET 2 OF 3
				REV A

NOT AVAILABLE	51.8	50.6	47.4	50	54.7	54.7	320	1-353120-1
AVAILABLE	45.8	44.6	41.4	44	48.7	48.7	280	1-1123905-0
NOT AVAILABLE	39.8	38.6	35.4	38	42.7	42.7	240	353120-9
AVAILABLE	33.8	32.6	29.4	32	36.7	36.7	200	353120-8
TOOLING STATUS	F	E	D	C	B	A	POS	CAP P/N

THIS DRAWING IS UNPUBLISHED. RELEASED FOR PUBLICATION JUN , 1996.  
 © COPYRIGHT 1996 BY TYCO ELECTRONICS CORPORATION. ALL RIGHTS RESERVED.

LOC	DIST	REVISIONS 変更			DATE	DWN	APVD
J		P	LTR	DESCRIPTION			
			-	SEE SHEET 1	-	-	-



GENERAL TOLERANCE  
一般公差

10 ≥ ±0.2  
 30 ≥ >10: ±0.25  
 100 ≥ >30: ±0.3  
 ANGLES: ±3°

THIS DRAWING IS A CONTROLLED DOCUMENT.		DWN	Tyco Electronics Corporation Kawasaki, Japan		
DIMENSIONS: 単位: 耗 mm		CHK	NAME 名称		
TOLERANCES UNLESS OTHERWISE SPECIFIED: 一般公差		APVD	EMBOSS ASSY FH 0.6BTB CONNECTOR PLUG 4H 2ROW TYPE		
0 PLC ± - 1 PLC ± - 2 PLC ± - 3 PLC ± - 4 PLC ± - ANGLES ± -		PRODUCT SPEC 製品規格	SIZE	CAGE CODE	DRAWING NO 番号
MATERIAL 材料		APPLICATION SPEC 取付適用規格	A3	00779	G-5353284
FINISH 仕上		WEIGHT	RESTRICTED TO		
①		CUSTOMER DRAWING		SCALE 尺度 3:1	SHEET 3 OF 3
②				REV A	