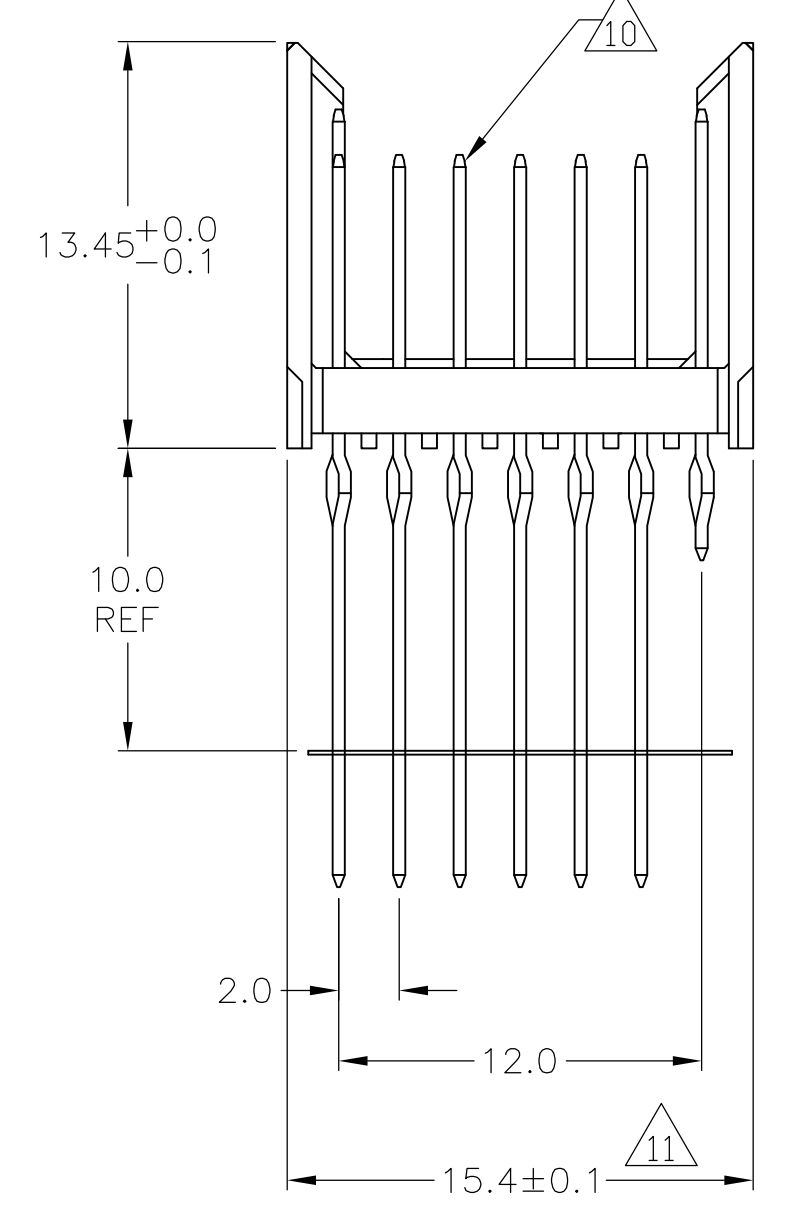
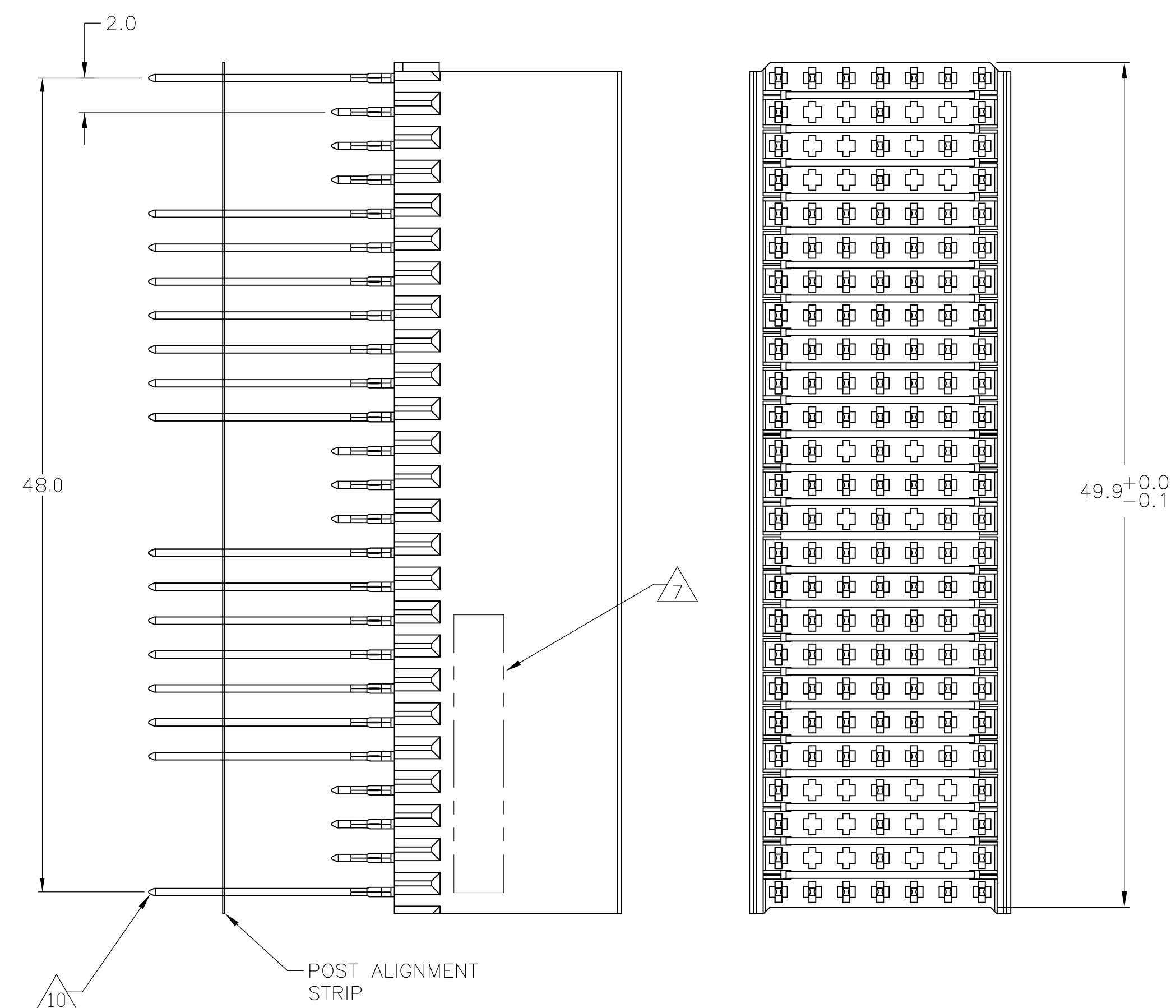
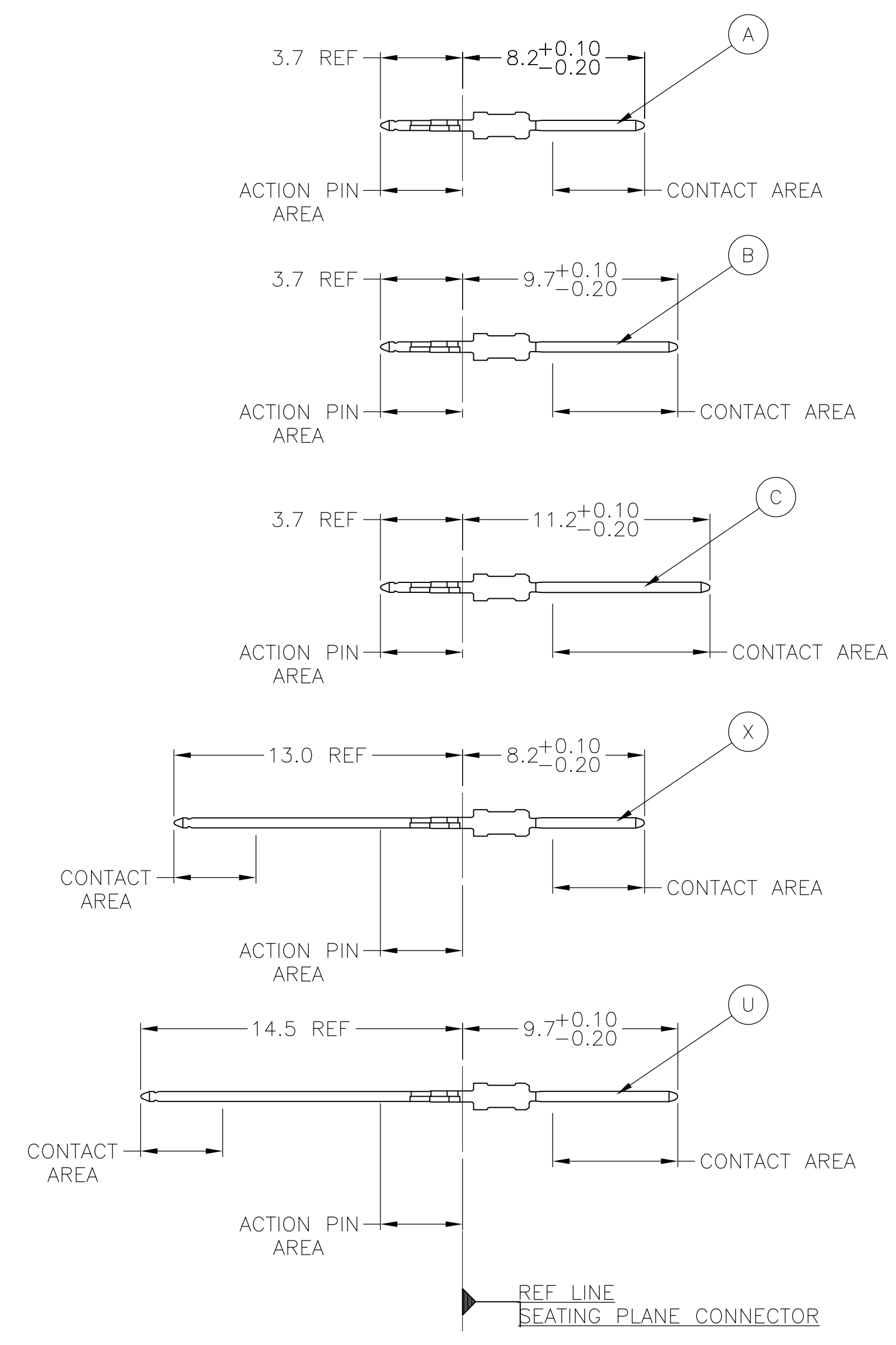


### CONNECTOR ASSEMBLY EXAMPLARY LOADED



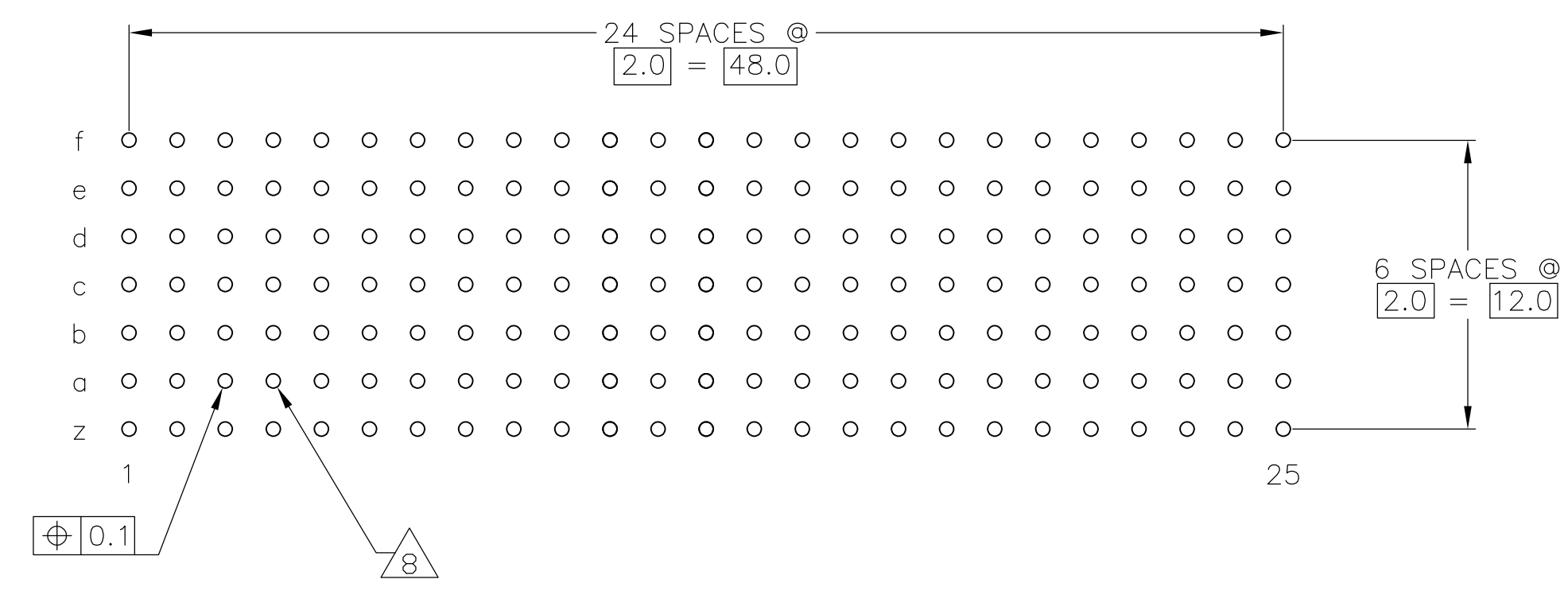
### CONTACT DIMENSIONS SCALE 5:1



### CONTACT LAYOUT

	z	a	b	c	d	e	f
1	U	U	U	U	U	U	C
2	C			B			C
3	C			B		A	C
4	C			B			C
5	U	U	U	U	U	U	C
6	U	X	X	U	X	X	C
7	U	X	X	U	X	X	C
8	U	U	U	U	U	U	C
9	U	X	X	U	X	X	C
10	U	X	X	U	X	X	C
11	U	U	U	U	U	U	C
12	C	A		B		A	C
13	C	A	A	B	A	A	C
14	C	A		B		A	C
15	U	U	U	U	U	U	C
16	U	X	X	U	X	X	C
17	U	X	X	U	X	X	C
18	U	U	U	U	U	U	C
19	U	X	X	U	X	X	C
20	U	X	X	U	X	X	C
21	U	U	U	U	U	U	C
22	C			B			C
23	C			B			C
24	C			B			C
25	U	U	U	U	U	U	C

### RECOMMENDED PCB-HOLE LAYOUT COMPONENT SIDE SHOWN



### PLATED THRU HOLES PARAMETERS REFERENCE APPLICATION SPECIFICATION

2 6 12	1-5352623-9
2 5 12	5352623-9
2 4	5352623-4
2 3	5352623-1
FINISH	PART NUMBER

THIS DRAWING IS A CONTROLLED DOCUMENT.

DIMENSIONS: mm	TOLERANCES UNLESS OTHERWISE SPECIFIED:	0. PLC ± -	1. PLC ± 0.1	2. PLC ± -	3. PLC ± -	4. PLC ANGLES ± -
MATERIAL 1		FINISH SEE TABLE		WEIGHT -		RESTRICTED TO -

DIN B CARBO 27JUL05  
 GIK G SKIPPER 27JUL05  
 APVD G SKIPPER 27JUL05  
 PRODUCT SPEC 108-19082  
 APPLICATION SPEC 114-19029  
 CUSTOMER DRAWING

Tyco Electronics Corporation  
 Harrisburg, Pa 17105-3608  
 MALE ASSEMBLY, Z-PACK 2mm HM, TYPE B  
 SIZE CAGE CODE DRAWING NO. A1 00779 C=5352623  
 SCALE 4:1 SHEET 1 OF 2 REV A

LOC	DIST	REVISIONS					
AD	00	P	LTR	DESCRIPTION	DATE	DWN	APVO
		-		SEE SHEET 1	-	-	-

- 1 MATERIAL:  
CONTACT: PHOSPHOR BRONZE.  
HOUSING: GLASS-FILLED POLYESTER.
- 2 GENERAL PLATING SPECIFICATION: UNDERPLATING  
(ENTIRE CONTACT): 1.27µm MIN NICKEL AND ACTION  
PIN: 0.5µm MIN TIN.  
FOR PLATING OF MATING SURFACES SEE APPLICABLE  
SPECIFICATION REFERENCE FOR EACH DASH NUMBER.
- 3 CONFORMS TO ALL TESTING ACCORDING TO IEC 61076-4-101  
PERFORMANCE LEVEL 2.
- 4 CONFORMS TO ALL TESTING ACCORDING TO IEC 61076-4-101  
PERFORMANCE LEVEL 1.
- 5 CONNECTOR TESTED AND QUALIFIED AGAINST TELCORDIA GR-1217-CORE QUALITY LEVEL 3,  
CENTRAL OFFICE APPLICATIONS.
- 6 CONNECTOR TESTED AND QUALIFIED AGAINST TELCORDIA GR-1217-CORE QUALITY LEVEL 3,  
UNCONTROLLED ENVIROMENT APPLICATIONS.
- 7 CONNECTOR MARKED WITH PART NUMBER AND DATE CODE.  
ADDITIONAL CHARACTERS OR MARKINGS, AS WELL AS THE LOCATION OF THE MARKINGS,  
MAY BE ADDED FOR TRACEABILITY BASED UPON MANUFACTURERS DISCRETION.
- 8 PLATED-THROUGH HOLES AT 2x2mm SQUARE GRID  
PATTERN DEFINED BY CONTACT LAYOUT.
- 9 FOR ACTUAL PIN LOADING SEE "CONTACT LAYOUT".
- 10 FOR ACTUAL PIN DIMENSIONS SEE "CONTACT DIMENSIONS".
- 11 TO BE MEASURED AT BOTTOM OF SHROUD.
- 12 CONNECTOR LUBRICATED WITH BELCORE APPROVED LUBRICANT,  
TECHNICAL REFERENCE: TR-NWT-001217 ISSUE 1, SEP 1992.

THIS DRAWING IS A CONTROLLED DOCUMENT.		DIN	B. CARBO	27JUL05	<b>tyco</b> Electronics	Tyco Electronics Corporation Harrisburg, Pa 17105-3608	
		CHK	G. SKIPPER	27JUL05			
DIMENSIONS:		TOLERANCES UNLESS OTHERWISE SPECIFIED:		APVO	G. SKIPPER	NAME	
mm		0. PLC	± -	27JUL05	G. SKIPPER	MALE ASSEMBLY, Z-PACK 2mm HM, TYPE B	
		1. PLC	± 0.1	PRODUCT SPEC		108-19082	
		2. PLC	± -	APPLICATION SPEC		114-19029	
		3. PLC	± -	SIZE	CAGE CODE	DRAWING NO	RESTRICTED TO
		4. PLC	± -	A1	00779	5352623	-
		ANGLES	± -	WEIGHT	CUSTOMER DRAWING		SCALE
MATERIAL	SEE SHEET 1	FINISH	SEE SHEET 1				4:1
							SHEET 2 OF 2
							REV A