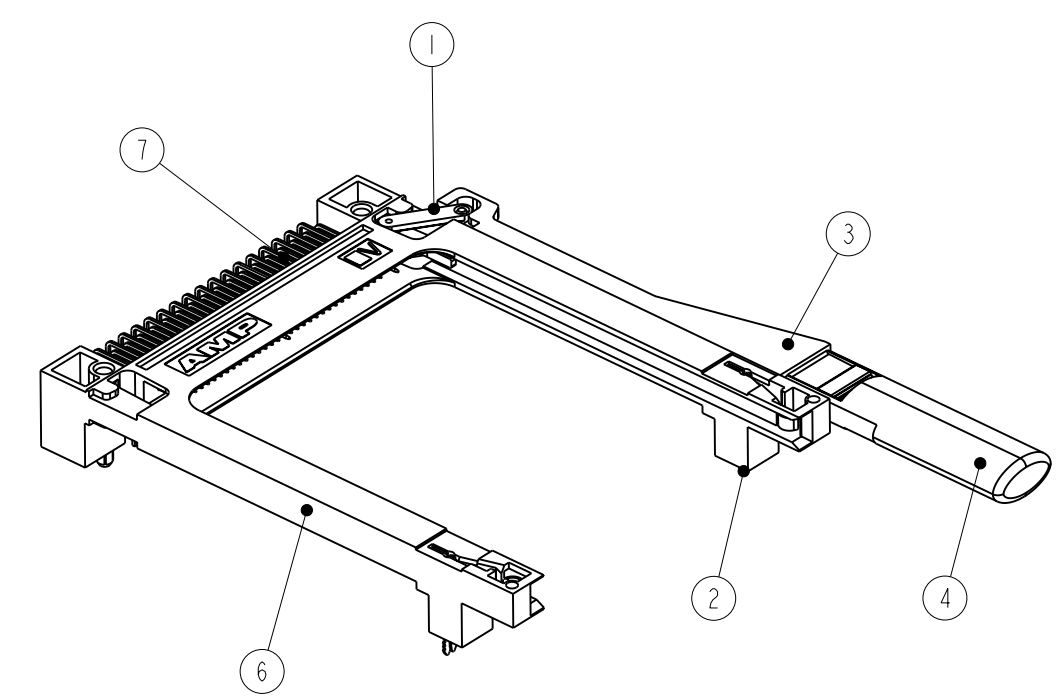
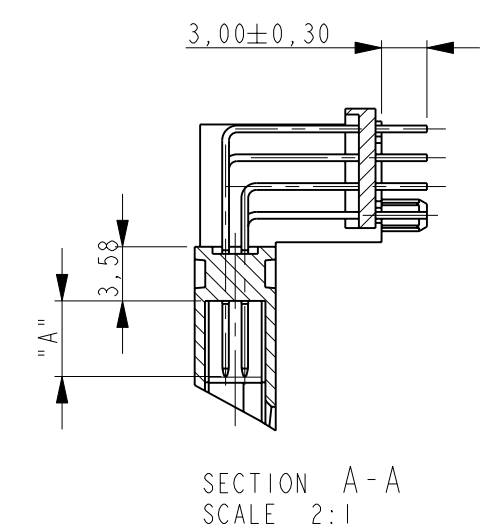
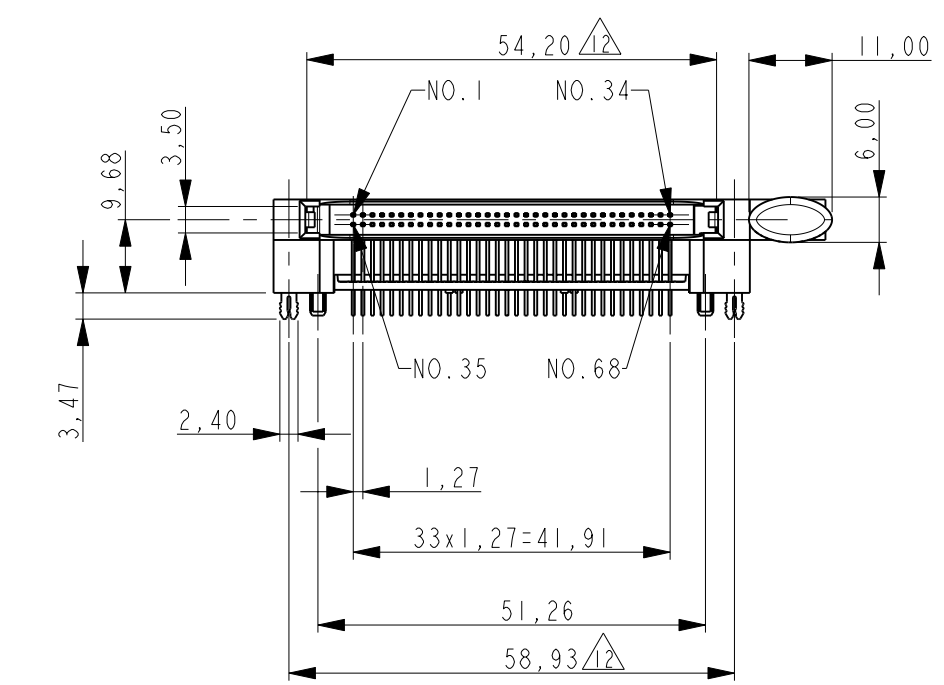
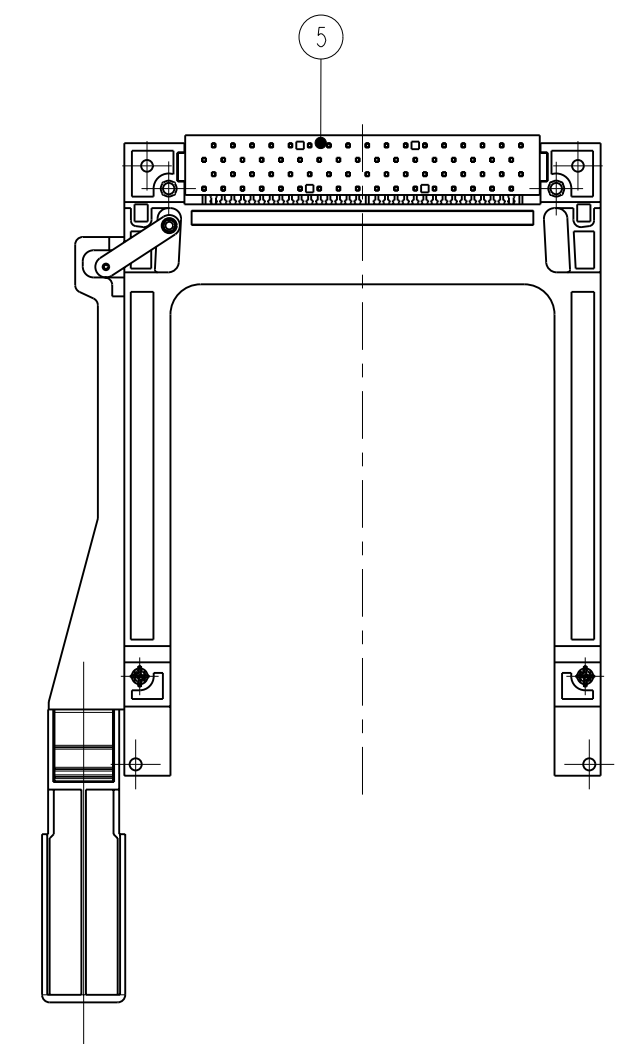
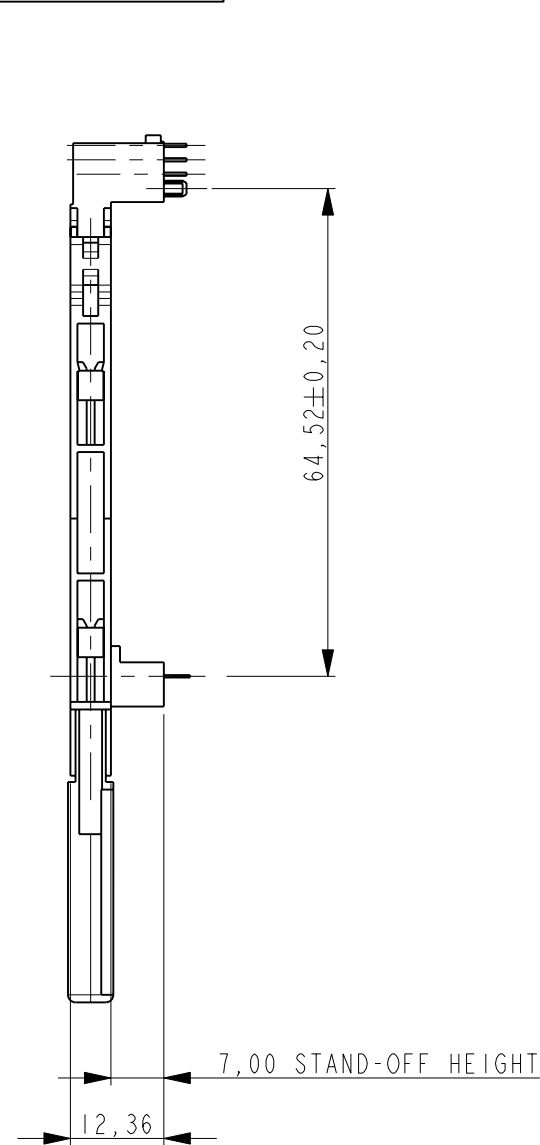
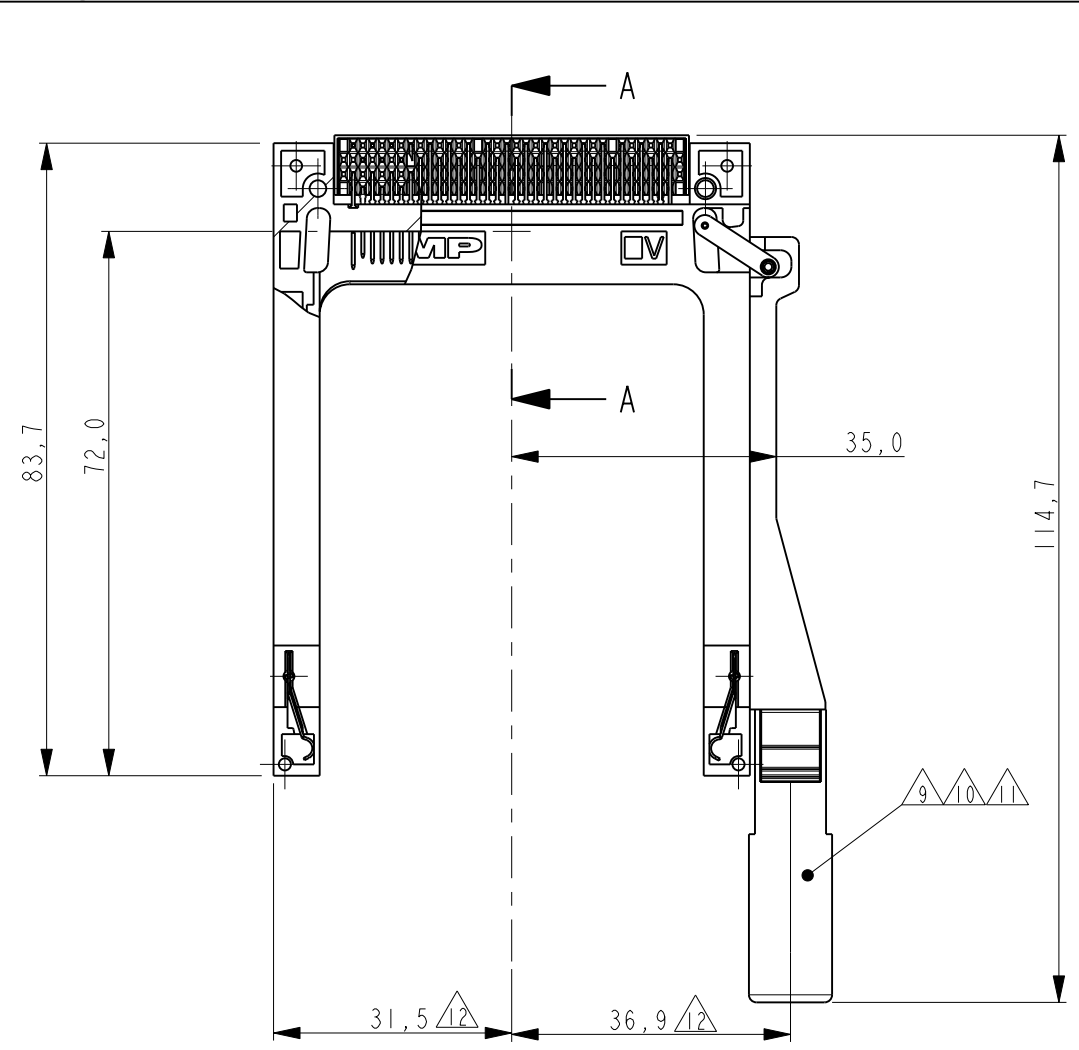


THIS DRAWING IS UNPUBLISHED. RELEASED FOR PUBLICATION  
 © COPYRIGHT copyright\_date ALL RIGHTS RESERVED.

LOC		DIST		REVISIONS			
P	LTR	DESCRIPTION	DATE	DWN	APVD		
IR	-	A2	16MAY2011	GG	RRP	ECR-11-010161	



NOTES/SPECIFICATION:

- HEADER ACCEPTS TYPES I, II, & III OF PCMCIA STANDARD MEMORY CARD
- MECHANICAL SPECIFICATION:
  - DURABILITY
    - OFFICE ENVIRONMENT: 10000 CYCLES MINIMUM
    - HARSH ENVIRONMENT: 5000 CYCLES
  - CONTACT RETENTION FORCE: 1Kg MINIMUM
- ELECTRICAL SPECIFICATION:
  - CONTACT RESISTANCE: 40 MILLI OHMS MAX.
  - DIELECTRIC WITHSTANDING VOLTAGE: 500 Vrms FOR 1min.
  - INSULATION RESISTANCE: 1000 MEGA OHMS MIN.
  - CURRENT CAPACITY: 0,5 AMPS PER PIN.
- ENVIRONMENTAL SPECIFICATIONS:
  - STORAGE ENVIRONMENT: -40°C TO +70°C, 95% MAX. RELATIVE HUMIDITY (NON CONDENSING)
  - OPERATION TEMPERATURE: -20°C TO +60°C, 95% MAX. RELATIVE HUMIDITY (NON CONDENSING)
  - THERMAL SHOCK: 6 CYCLES (1 CYCLE PER HOUR) WITH CONNECTOR ENGAGED WITH EXTREMES OF -55°C TO +70°C.

5 LENGTH OF CONTACTS:

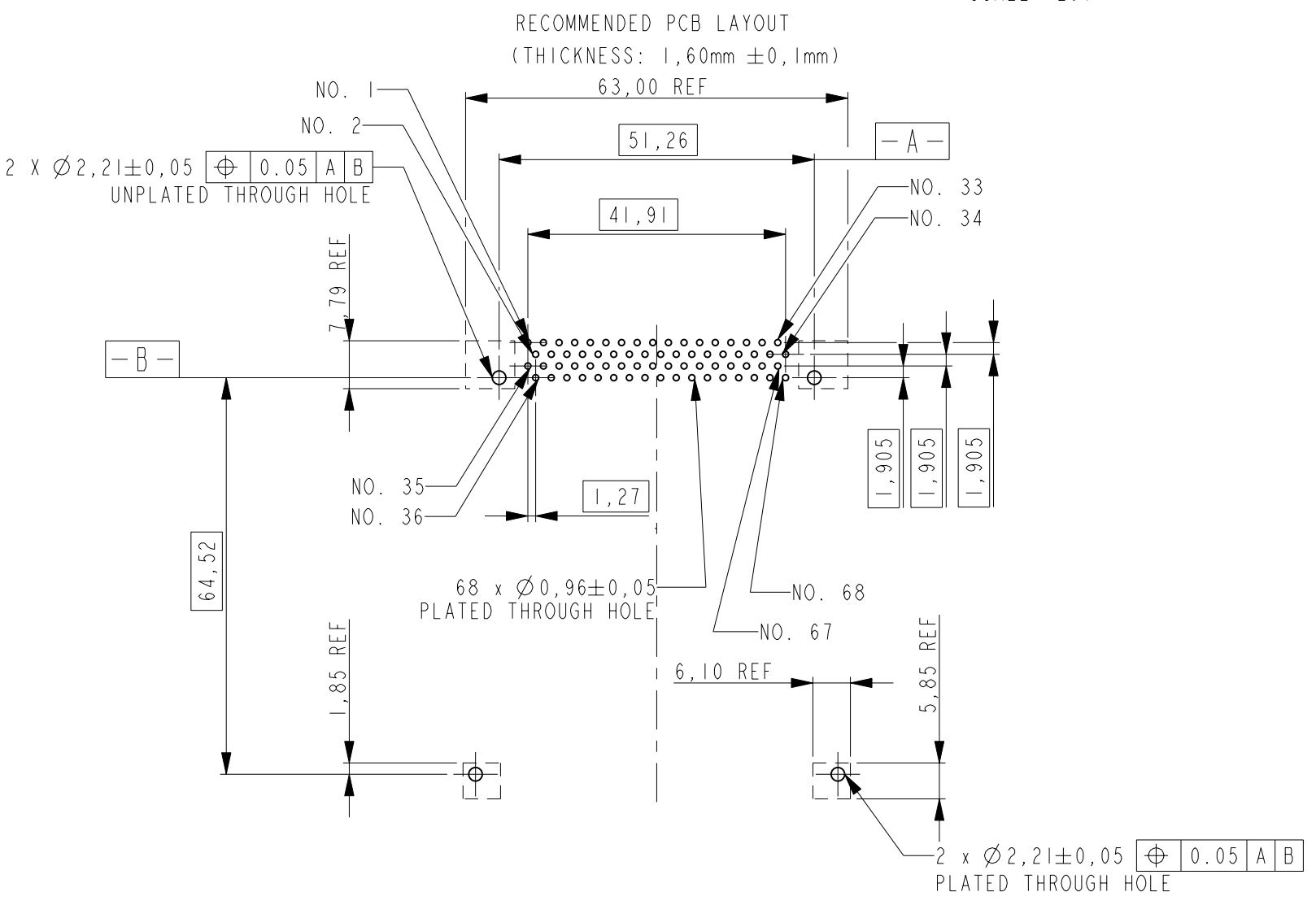
DIM "A"	POSITION No.
5	1, 17, 34, 35, 51, 68
3.5	36, 67
4.25	THE OTHERS

6 PLATING OF CONTACT: Ni : 1,5µm MIN. (OVERALL)  
 Au : 0,2 µm MIN. (CARD SIDE)  
 TIN: 2µm MIN. (PCB SIDE)

- ALL PARTS PACKAGED IN TRAYS UNLESS REQUESTED:
- PRESS PART OF BUTTON TO BE SNAPPED ONTO SLIDING PART OF BUTTON BY CUSTOMER
- 9 BUTTON TRAVEL LENGTH IS 5mm
- 10 PUSH BUTTON WILL BE MOUNTED BY CUSTOMER AND PURCHASED SEPERATELY
- 11 DIFFERENT TYPES OF PUSH BUTTON POSSIBLE
- MEASURING METHOD: MEASURE THESE DIMENSION, BY FIXING THE CONNECTOR TO THE STANDARD GAUGE.

CONNECTOR TO PRINTED CIRCUIT BOARD ASSEMBLY:

- PLACE THE CONNECTOR ON THE PRINTED CIRCUIT BOARD. THE SOLDER TAILS, RETENT CLIPS & PLASTIC LEGS SHOULD BE SEATED IN THE RESPECTIVE HOLES
- PUSH FIRMLY DOWN ON CENTER OF PLASTIC LEGS THEN SOLDER RETENTS. A SLIGHT SNAP IS FELT WHEN THE CONTACT IS FULLY SEATED.
- SOLDER PROCESS ENTIRE PRINTED CIRCUIT BOARD ASSEMBLY



VOLTAGE IDENTIFICATION	PARTNUMBER
3.3 V	5338937-2
5 V	5338937-1

ITEM	NO	QTY	DESCRIPTION	MATERIAL	FINISH
7	68		CONTACT	COPPER ALLOY	6
6	1		HOUSING	THERMOPLASTIC UL 94 VO	COLOR: BLACK
5	1		ORGANISER	THERMOPLASTIC UL 94 VO	COLOR: BLACK
4	1		PUSH BUTTON	THERMOPLASTIC UL 94 VO	COLOR: GREY
3	1		ARM BAR	THERMOPLASTIC UL 94 VO	COLOR: BLACK
2	2		GROUND CONTACT	PHOSPHOR BRONZE	TIN: 2µm MIN
1	1		CAM	THERMOPLASTIC UL 94 VO	COLOR: BLACK

THIS DRAWING IS A CONTROLLED DOCUMENT. DWN: R.Coolen 08DEC04  
 CHK: P.Willems  
 APVD: J.Broeksteeg  
 PRODUCT SPEC: 108-19201  
 APPLICATION SPEC: -

**STE** TE Connectivity  
 PC CARD HEADER HIGH RAISED 7mm WITH RIGHT EJECTOR

MATERIAL	FINISH	WEIGHT	SIZE	CAGE CODE	DRAWING NO	RESTRICTED TO
-	-	-	A2	00779	5338937	-

CUSTOMER DRAWING SCALE: 1:1 SHEET 1 OF 1 REV A2