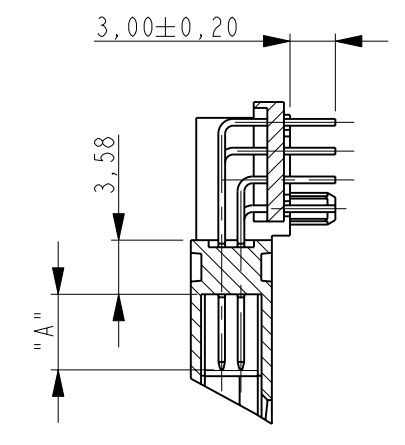
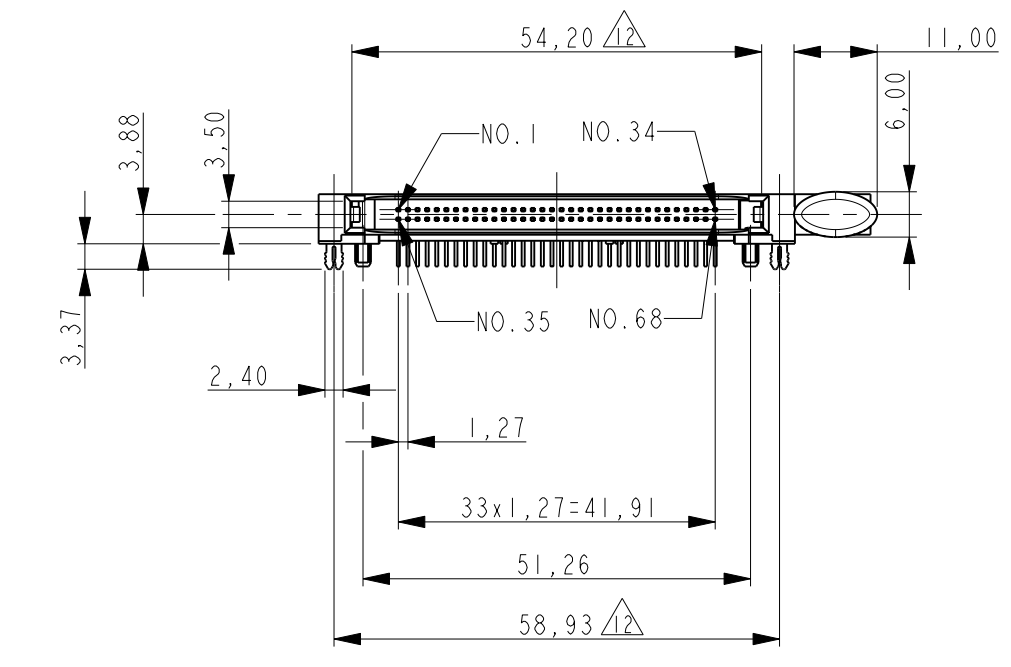
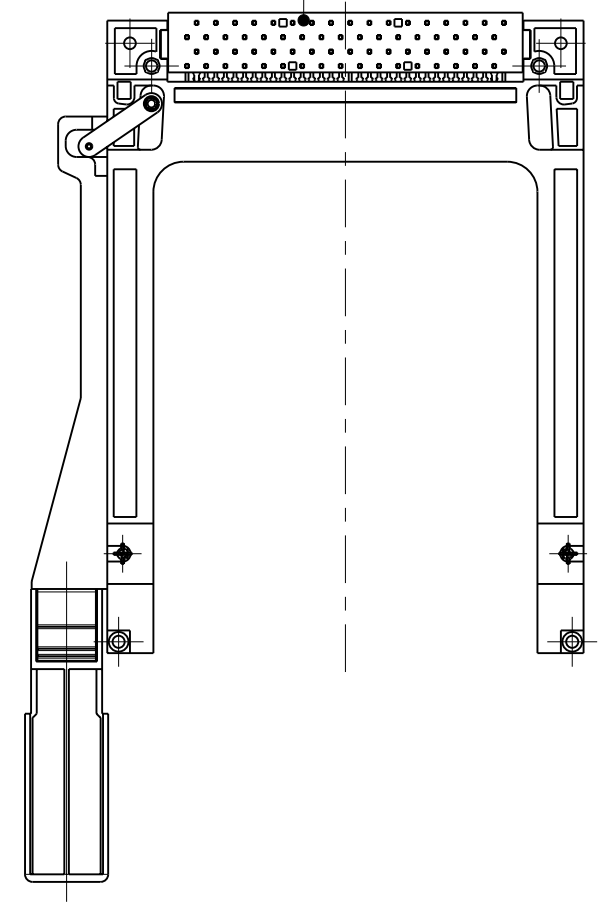
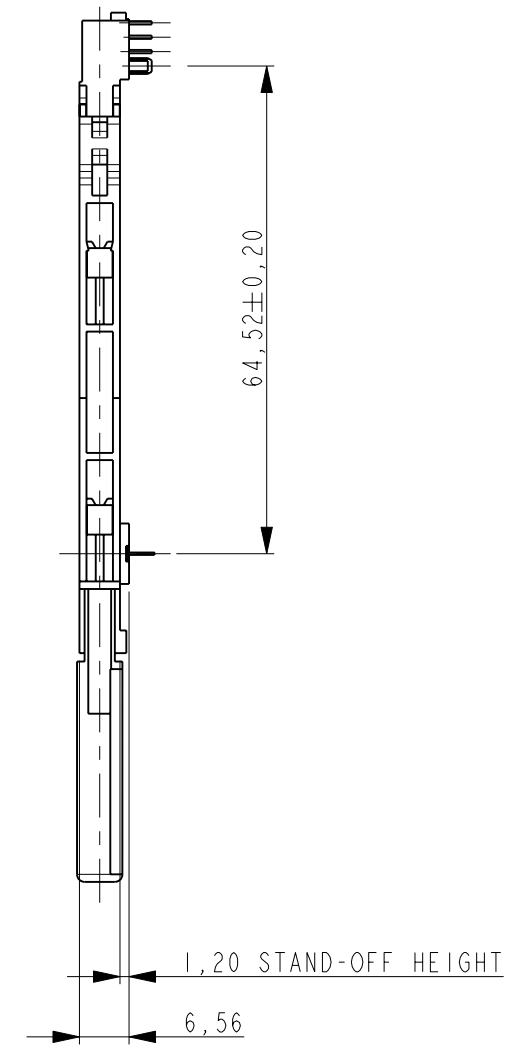
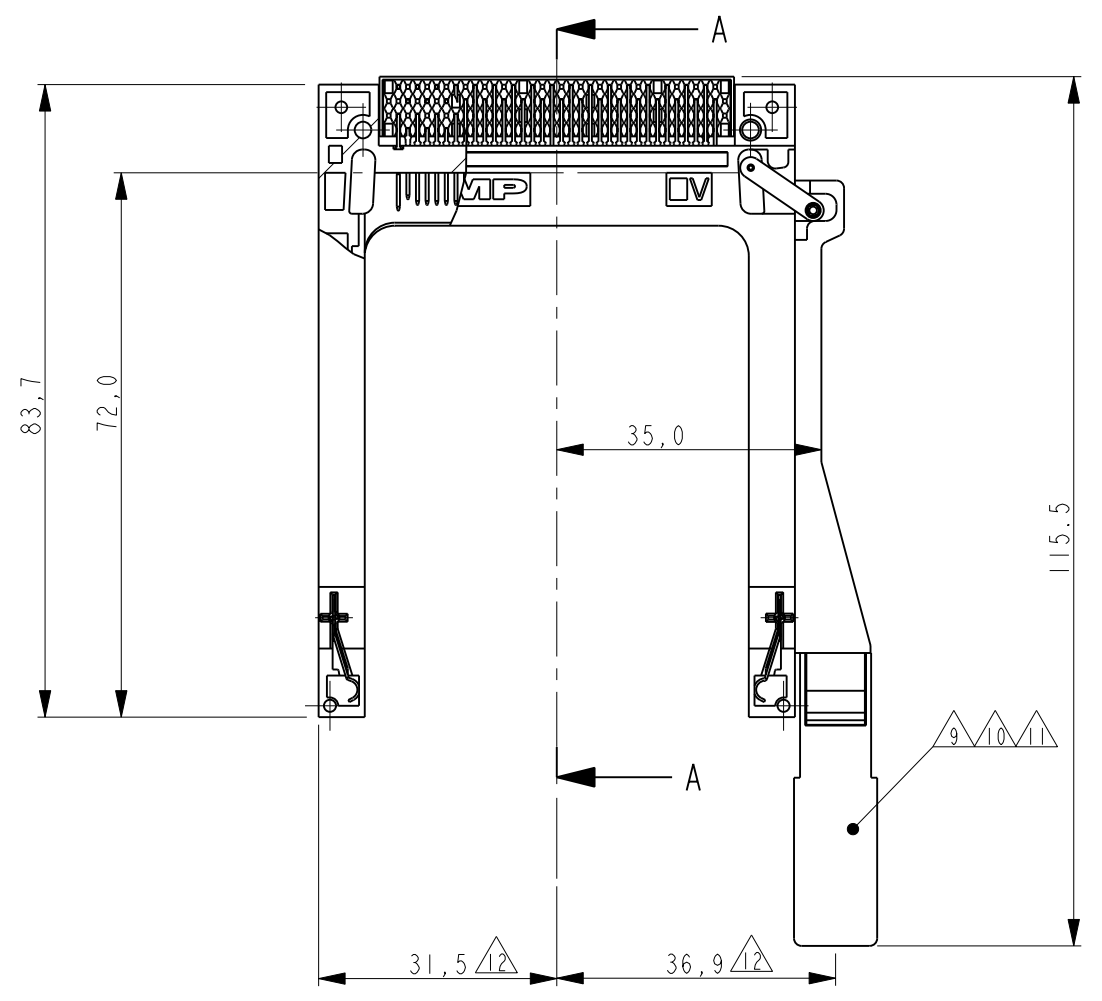
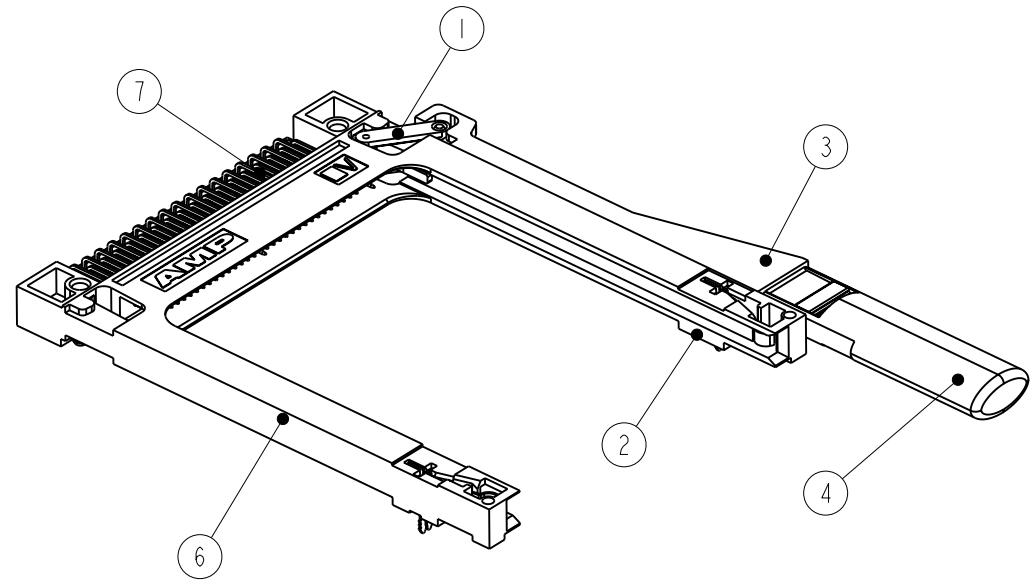


THIS DRAWING IS UNPUBLISHED. RELEASED FOR PUBLICATION
 © COPYRIGHT copyright_date ALL RIGHTS RESERVED.

LOC		DIST		REVISIONS			
P	LTR	DESCRIPTION	DATE	DWN	APVD		
IR	-	A2	16MAY2011	GG	RRP	ECR-11-010161	



SECTION A-A
SCALE 2:1



NOTES/SPECIFICATION:

- HEADER ACCEPTS TYPES I, II, & III OF PCMCIA STANDARD MEMORY CARD
- MECHANICAL SPECIFICATION:
 - DURABILITY
 - OFFICE ENVIRONMENT: 10000 CYCLES MINIMUM
 - HARSH ENVIRONMENT: 5000 CYCLES
 - CONTACT RETENTION FORCE: 1Kg MINIMUM
- ELECTRICAL SPECIFICATION:
 - CONTACT RESISTANCE: 40 MILLI OHMS MAX.
 - DIELECTRIC WITHSTANDING VOLTAGE: 500 Vrms FOR 1min.
 - INSULATION RESISTANCE: 1000 MEGA OHMS MIN.
 - CURRENT CAPACITY: 0,5 AMPS PER PIN.
- ENVIRONMENTAL SPECIFICATIONS:
 - STORAGE ENVIRONMENT: -40°C TO +70°C, 95% MAX. RELATIVE HUMIDITY (NON CONDENSING)
 - OPERATION TEMPERATURE: -20°C TO +60°C, 95% MAX. RELATIVE HUMIDITY (NON CONDENSING)
 - THERMAL SHOCK: 6 CYCLES (1 CYCLE PER HOUR) WITH CONNECTOR ENGAGED WITH EXTREMES OF -55°C TO +70°C.

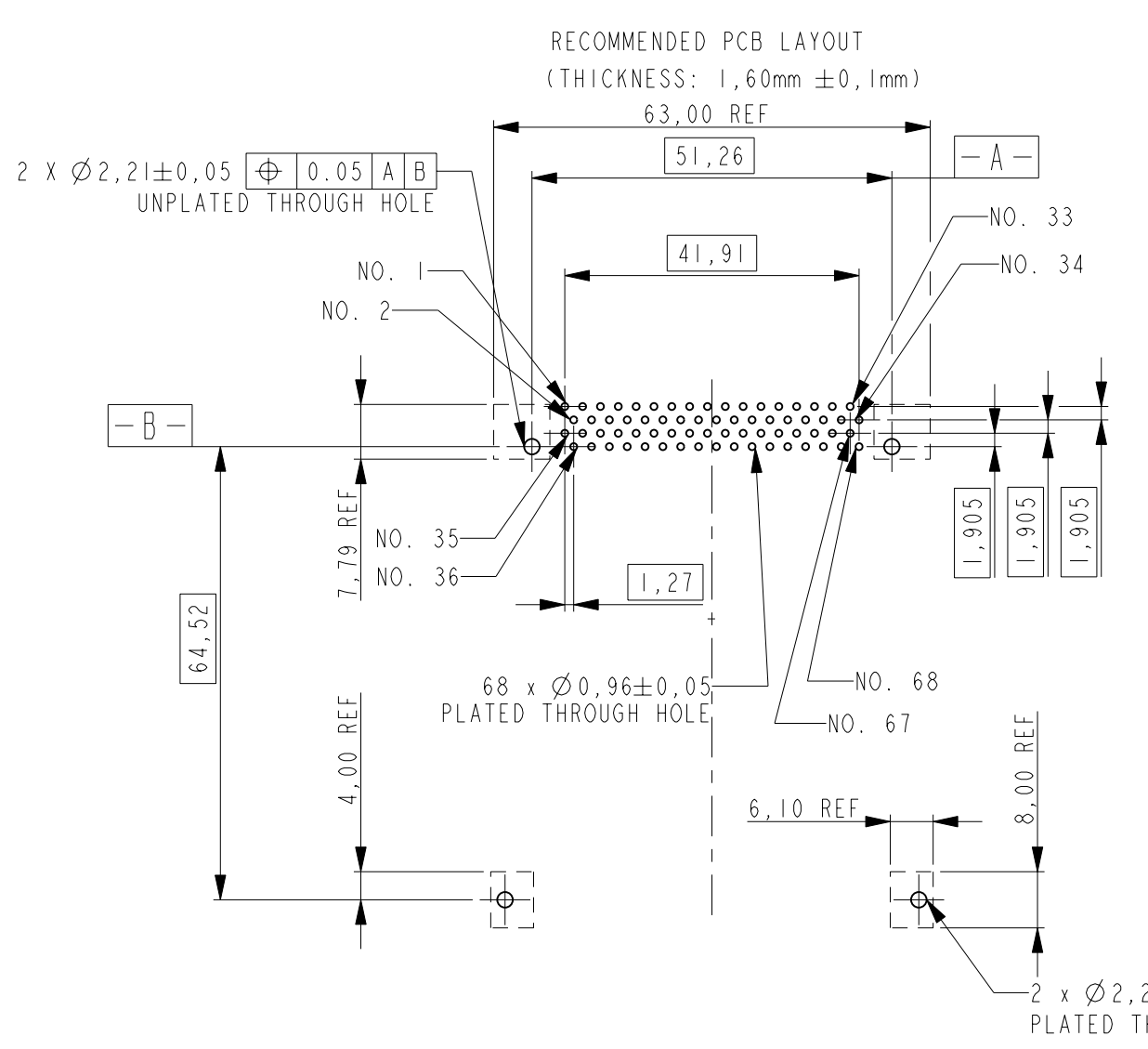
LENGTH OF CONTACTS:

DIM "A"	POSITION No.
5	1, 17, 34, 35, 51, 68
3.5	36, 67
4.25	THE OTHERS

- △6 PLATING OF CONTACTS: Ni : 1,5µm MIN. (OVERALL)
Au : 0,2µm MIN. (CARD SIDE)
TIN: 2µm MIN. (PCB SIDE)
- 7 ALL PARTS PACKAGED IN TRAYS UNLESS REQUESTED:
- 8 PRESS PART OF BUTTON TO BE SNAPPED ONTO SLIDING PART OF BUTTON BY CUSTOMER
- △9 BUTTON TRAVEL LENGTH IS 5mm
- △10 PUSH BUTTONS MOUNTED BY CUSTOMER AND PURCHASED SEPERATELY
- △11 DIFFERENT TYPES OF PUSH BUTTON POSSIBLE
- △2 MEASURING METHOD: MEASURE THESE DIMENSION, BY FIXING THE CONNECTOR TO THE STANDARD GAUGE.

CONNECTOR TO PRINTED CIRCUIT BOARD ASSEMBLY:

- PLACE THE CONNECTOR ON THE PRINTED CIRCUIT BOARD. THE SOLDER TAILS, RETENT CLIPS & PLASTIC LEGS SHOULD BE SEATED IN THE RESPECTIVE HOLES
- PUSH FIRMLY DOWN ON CENTER OF PLASTIC LEGS THEN SOLDER RETENTS. A SLIGHT SNAP IS FELT WHEN THE CONTACT IS FULLY SEATED.
- SOLDER PROCESS ENTIRE PRINTED CIRCUIT BOARD ASSEMBLY



VOLTAGE IDENTIFICATION	PARTNUMBER
3.3 V	5338934-2
5 V	5338934-1

ITEM	NO	QTY	DESCRIPTION	MATERIAL	FINISH
7	68		CONTACT	COPPER ALLOY	△6
6	1		HOUSING	THERMOPLASTIC UL 94 VO	COLOR: BLACK
5	1		ORGANISER	THERMOPLASTIC UL 94 VO	COLOR: BLACK
4	1		PUSH BUTTON	THERMOPLASTIC UL 94 VO	COLOR: GREY
3	1		ARM BAR	THERMOPLASTIC UL 94 VO	COLOR: BLACK
2	2		GROUND CONTACT	PHOSPHOR BRONZE	TIN: 2µm MIN
1	1		CAM	THERMOPLASTIC UL 94 VO	COLOR: BLACK

THIS DRAWING IS A CONTROLLED DOCUMENT.		DWN P.Willems 27OCT04	TE Connectivity	
DIMENSIONS: mm		CHK P.Willems		
TOLERANCES UNLESS OTHERWISE SPECIFIED:		APVD J.Broeksteeg	NAME PC CARD HEADER (FLUSH VERSION) WITH RIGHT EJECTOR	
0 PLC ±0.3		PRODUCT SPEC 108-19201	SIZE CAGE CODE DRAWING NO RESTRICTED TO	
1 PLC ±0.2		APPLICATION SPEC	A2 00779 C-5338934	
2 PLC ±0.1		WEIGHT	SCALE SHEET OF REV A2	
3 PLC ±0.05		CUSTOMER DRAWING		
4 PLC ±				
ANGLES ±				
FINISH				