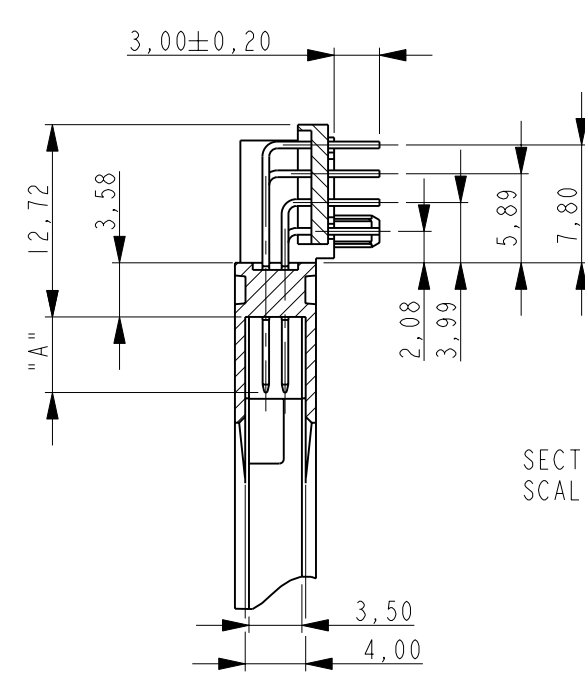
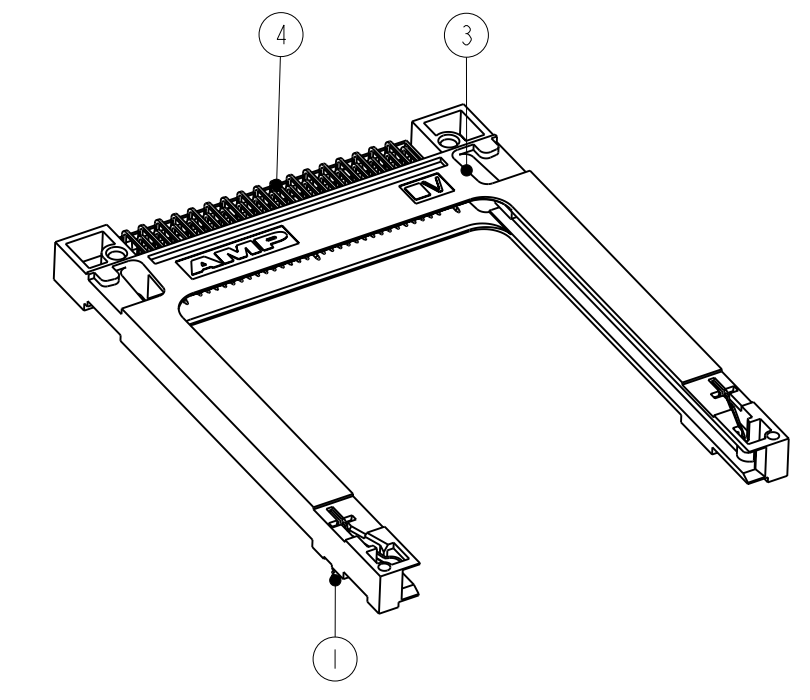


THIS DRAWING IS UNPUBLISHED. RELEASED FOR PUBLICATION
 © COPYRIGHT copyright_date ALL RIGHTS RESERVED.

LOC		DIST		REVISIONS			
P	LTR	DESCRIPTION	DATE	DWN	APVD		
IR	-	A3	ECR-11-010161	16MAY2011	GG	RRP	



NOTES/SPECIFICATION:

- HEADER ACCEPTS TYPES I, II, & III OF PCMCIA STANDARD MEMORY CARD
- MECHANICAL SPECIFICATION:
 - DURABILITY
 - OFFICE ENVIRONMENT: 10000 CYCLES MINIMUM
 - HARSH ENVIRONMENT: 5000 CYCLES
 - CONTACT RETENTION FORCE: 1Kg MINIMUM
- ELECTRICAL SPECIFICATION:
 - CONTACT RESISTANCE: 40 MILLI OHMS MAX.
 - DIELECTRIC WITHSTANDING VOLTAGE: 500 Vrms FOR 1min.
 - INSULATION RESISTANCE: 1000 MEGA OHMS MIN.
 - CURRENT CAPACITY: 0,5 AMPS PER PIN.

- ENVIRONMENTAL SPECIFICATIONS:
 - STORAGE ENVIRONMENT: -40°C TO +70°C, 95% MAX. RELATIVE HUMIDITY (NON CONDENSING)
 - OPERATION TEMPERATURE: -20°C TO +60°C, 95% MAX. RELATIVE HUMIDITY (NON CONDENSING)
 - THERMAL SHOCK: 6 CYCLES (1 CYCLE PER HOUR) WITH CONNECTOR ENGAGED WITH EXTREMES OF -55°C TO +70°C.

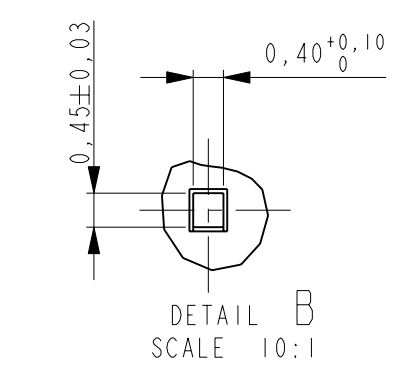
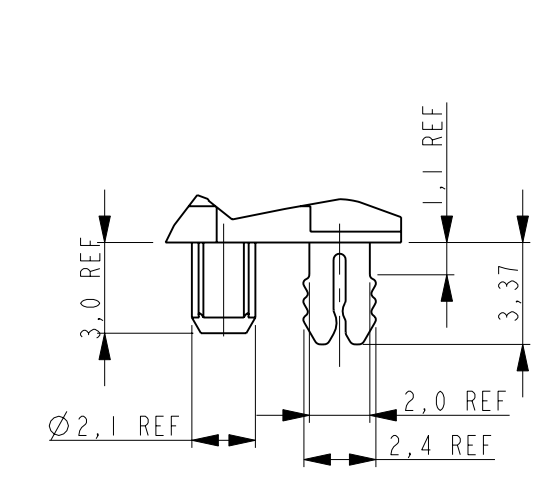
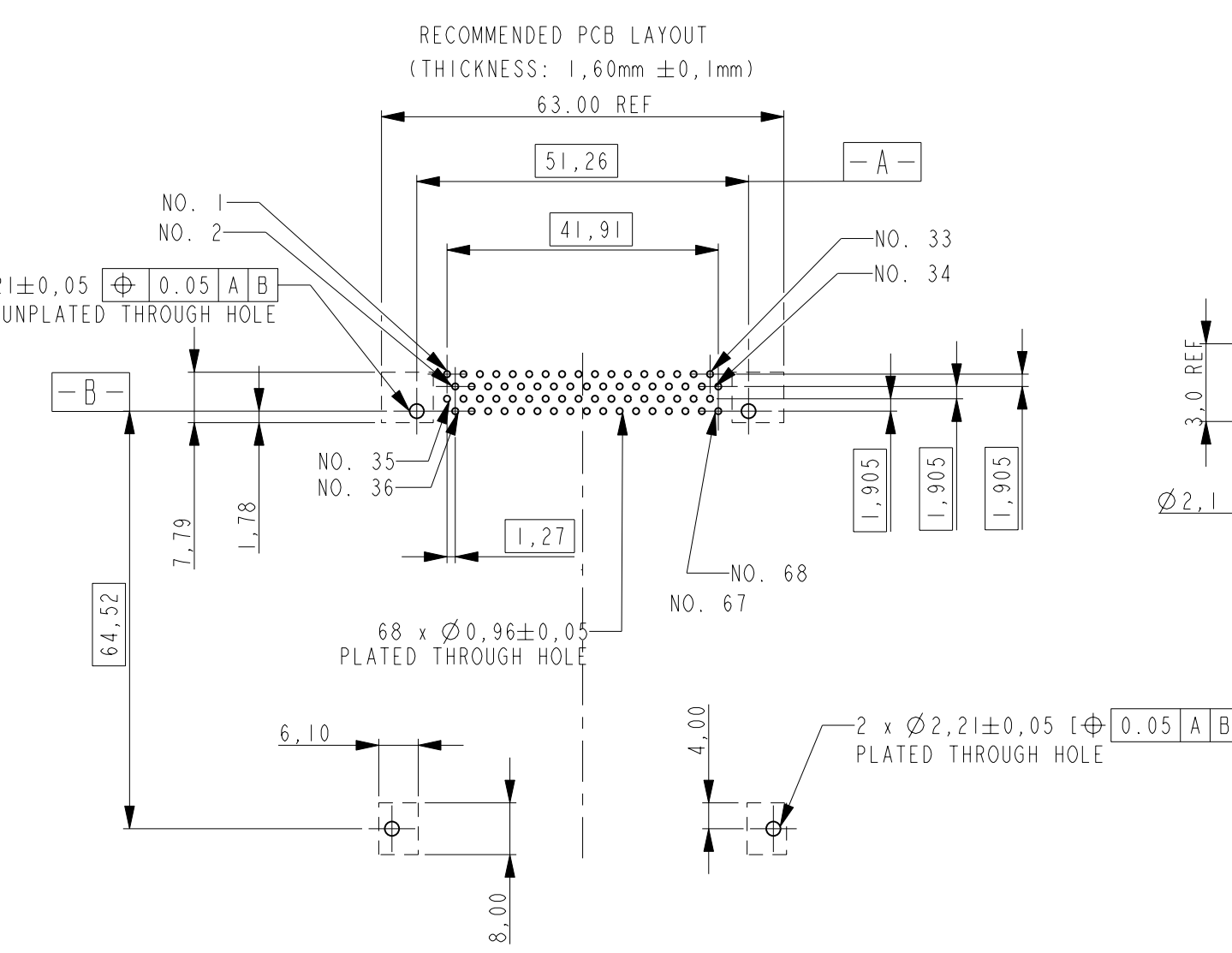
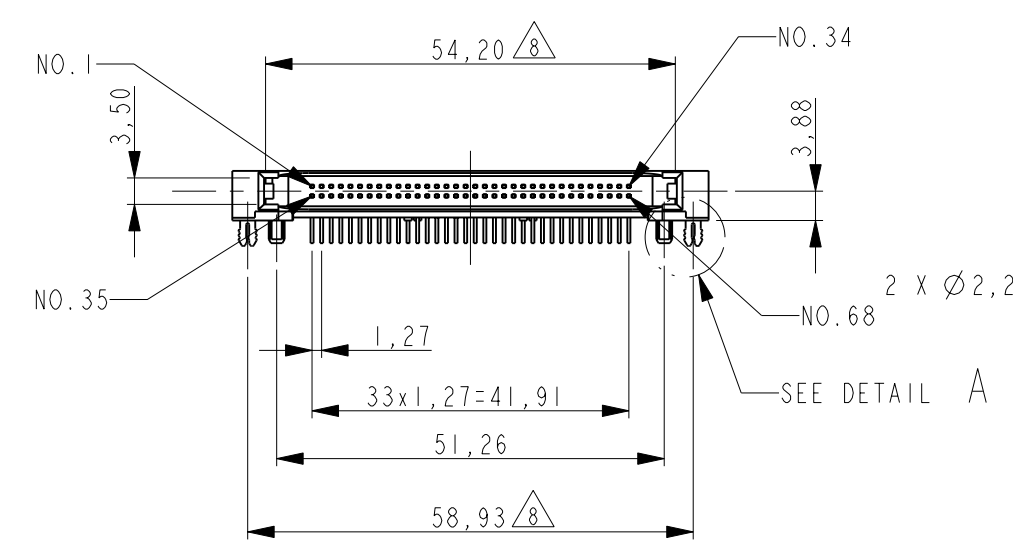
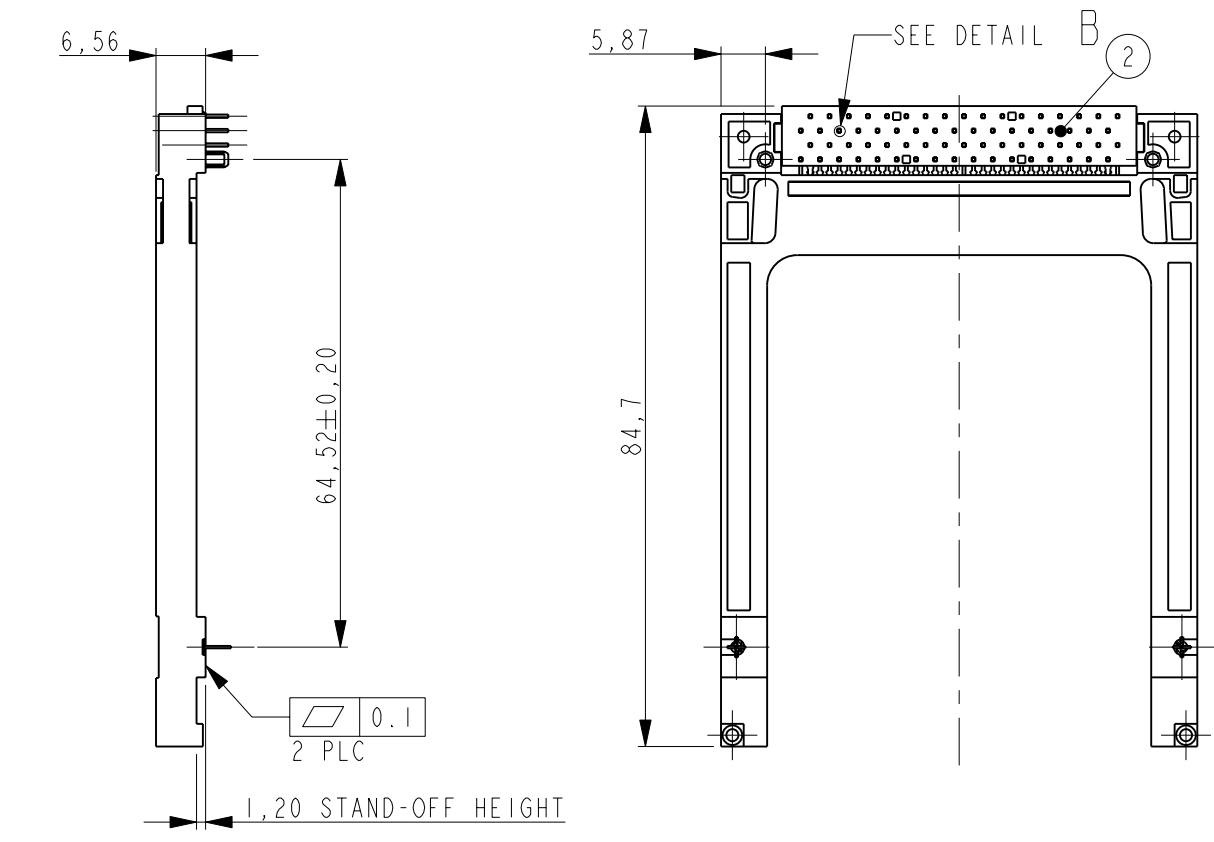
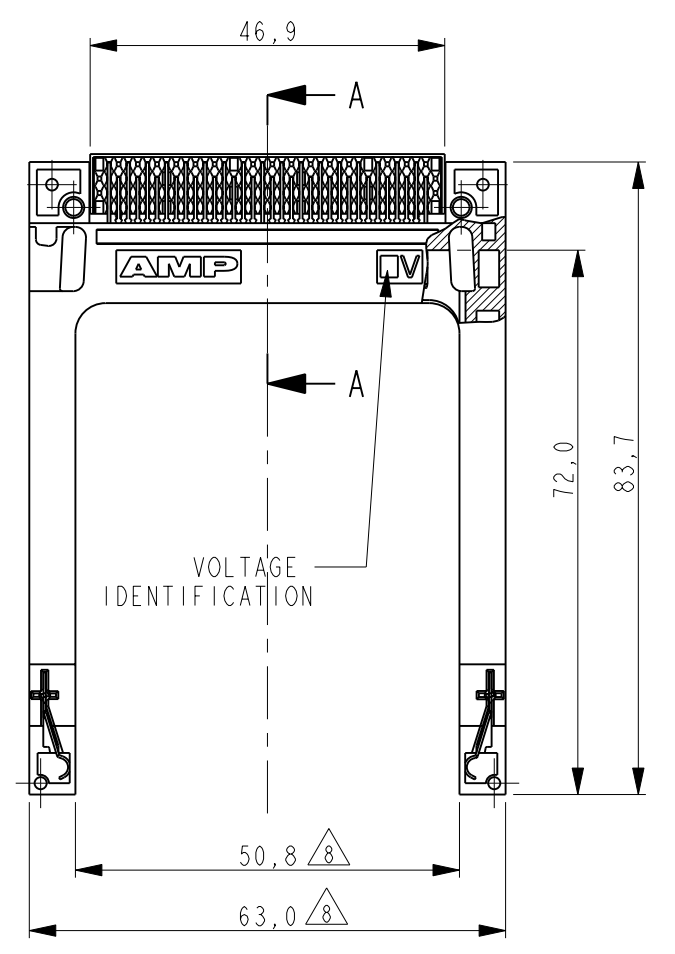
5 LENGTH OF CONTACTS:

DIM "A"	POSITION No.
5	1, 17, 34, 35, 51, 68
3.5	36, 67
4.25	THE OTHERS

- PLATING OF CONTACT:
 - Ni : 1,5µm MIN. (OVERALL)
 - Au : 0,2µm MIN. (CARD SIDE)
 - TIN: 2µm MIN. (PCB SIDE)
- ALL PARTS PACKAGED IN TRAYS UNLESS REQUESTED:
- MEASURING METHOD: MEASURE THESE DIMENSION BY FIXING THE CONNECTOR TO THE STANDARD GAUGE.

CONNECTOR TO PRINTED CIRCUIT BOARD ASSEMBLY:

- PLACE THE CONNECTOR ON THE PRINTED CIRCUIT BOARD. THE SOLDER TAILS, RETENT CLIPS & PLASTIC LEGS SHOULD BE SEATED IN THE RESPECTIVE HOLES
- PUSH FIRMLY DOWN ON CENTER OF PLASTIC LEGS THEN SOLDER RETENTS. A SLIGHT SNAP IS FELT WHEN THE CONTACT IS FULLY SEATED.
- SOLDER PROCESS ENTIRE PRINTED CIRCUIT BOARD ASSEMBLY



ITEM NO	QTY	DESCRIPTION	MATERIAL	FINISH
4	68	CONTACT	COPPER ALLOY	⚠
3	1	HOUSING	THERMOPLASTIC UL 94 VO	COLOR: BLACK
2	1	ORGANISER	THERMOPLASTIC UL 94 VO	COLOR: BLACK
1	2	GROUND CONTACT	PHOSPHOR BRONZE	TIN: 2µm MIN

VOLTAGE IDENTIFICATION	PARTNUMBER
3.3 V	5338932-2
5 V	5338932-1

THIS DRAWING IS A CONTROLLED DOCUMENT.

DWN: P.Willems 27OCT04
 CHK: P.Willems
 APVD: J.Broeksteeg

PRODUCT SPEC: 108-19201
 APPLICATION SPEC: -

MATERIAL: -
 FINISH: -

WEIGHT: -

CUSTOMER DRAWING

TE Connectivity

PC CARD HEADER FLUSH VERSION

SIZE: A2 CAGE CODE: 00779 DRAWING NO: 5338932 RESTRICTED TO: -

SCALE: 1:1 SHEET: 1 OF 1 REV: A3