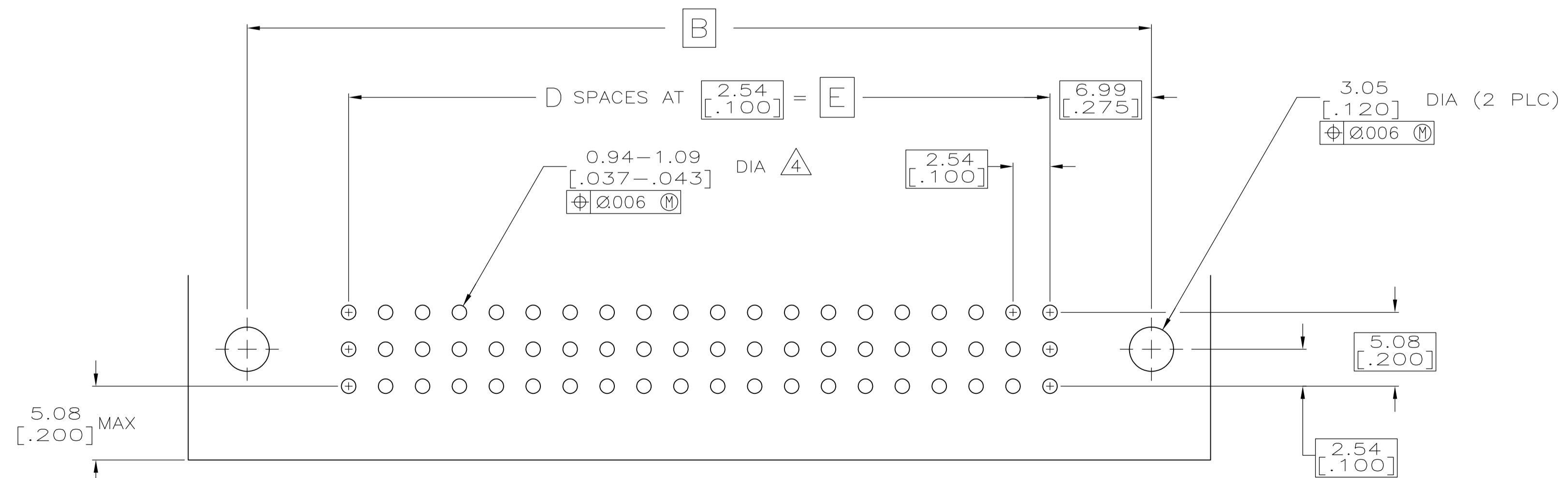
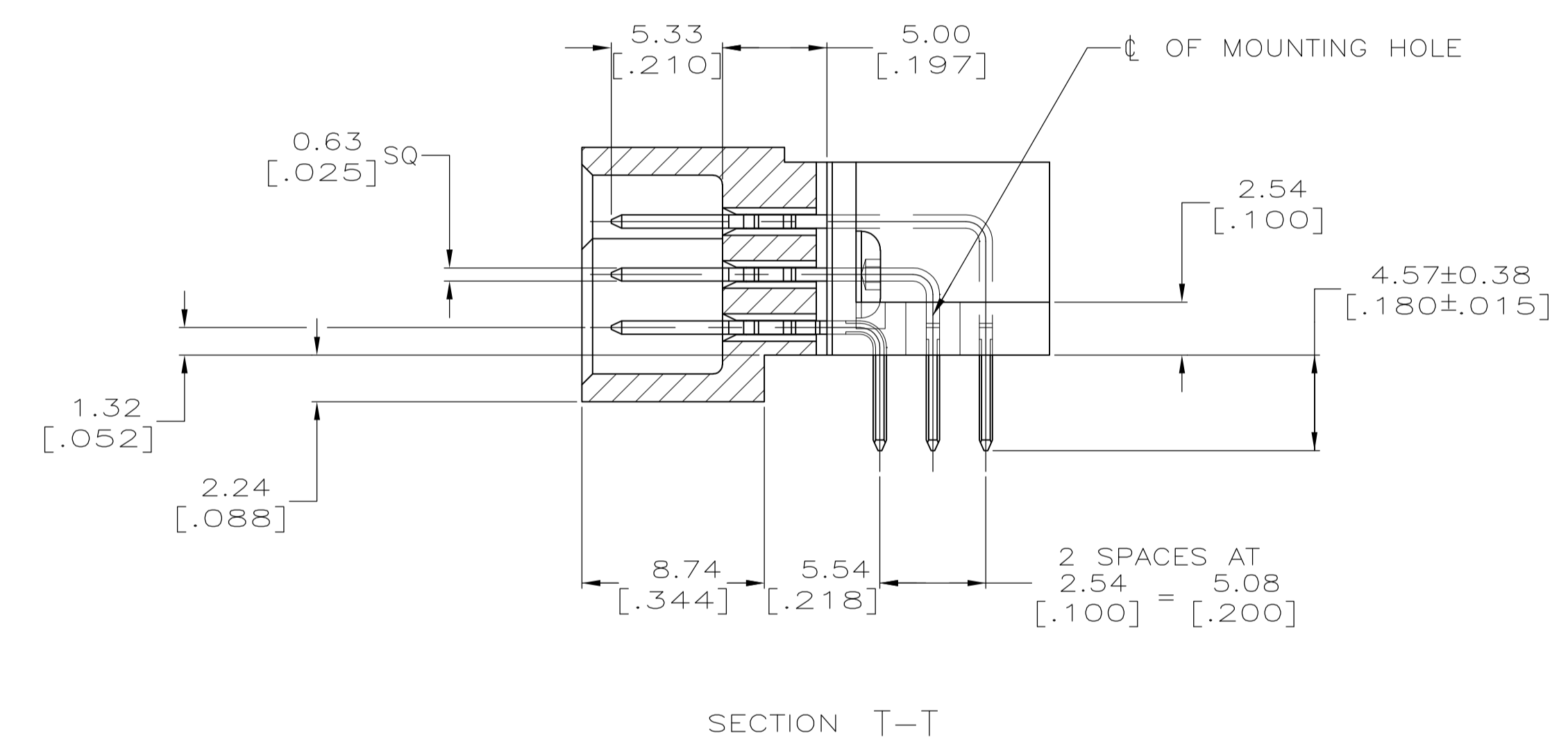
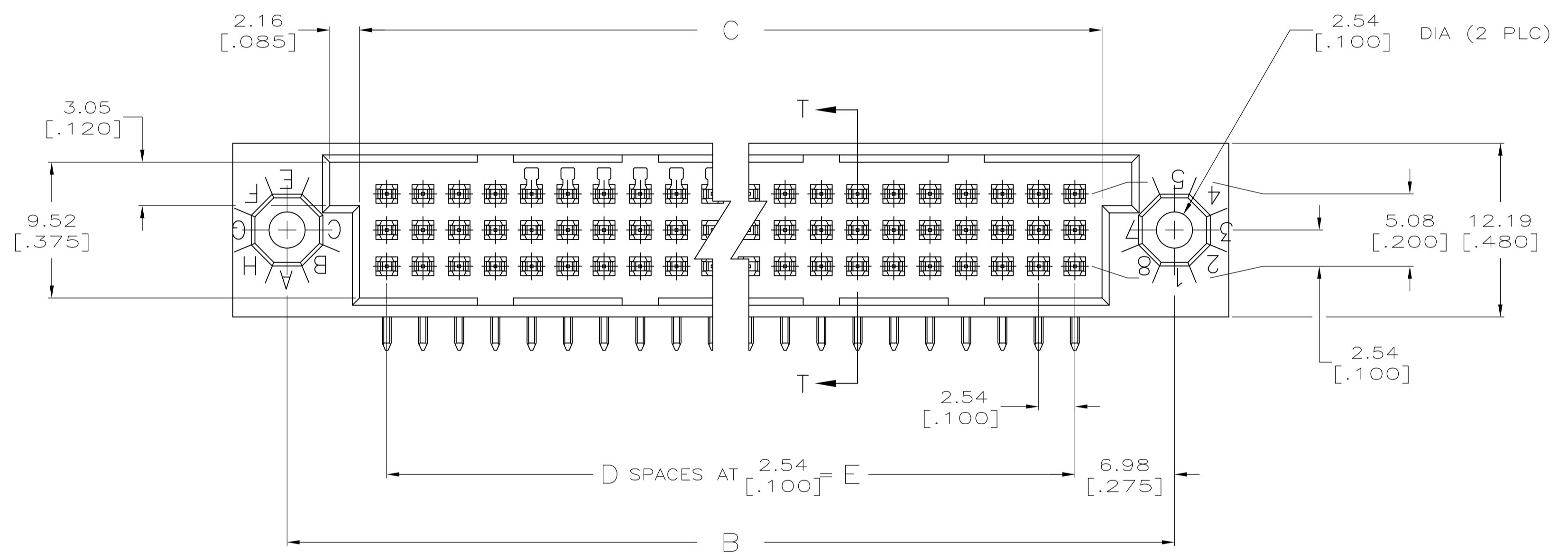
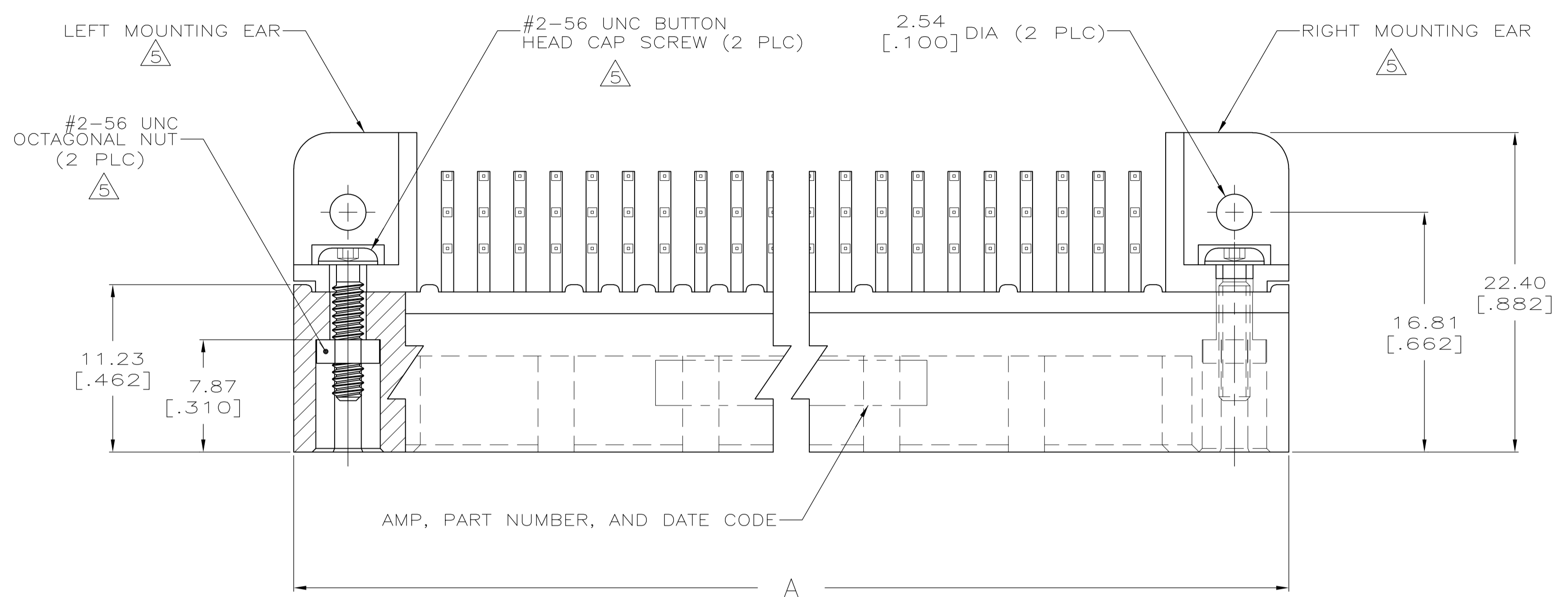


| REVISIONS |     |                           |         |       |
|-----------|-----|---------------------------|---------|-------|
| P         | LTR | DESCRIPTION               | DATE    | APPD  |
| P         |     | REVISED PER ECO-15-015252 | 13NOV15 | BJ FY |




RECOMMENDED P.C. BOARD LAYOUT

|  |  |                            |   |  |
|--|--|----------------------------|---|--|
| THIS DRAWING IS A CONTROLLED DOCUMENT. |  | DIN R.K. SEIFRIED 05/17/90 | TE Connectivity                           |  |
| DIMENSIONS: mm [INCHES]                |  | CHK G. SKIPPER 9-22-93     |   |  |
| TOLERANCES UNLESS OTHERWISE SPECIFIED: |  | APPD G. SKIPPER 9-22-93    | NAME HDI, ASSEMBLY 3 ROW, RIGHT ANGLE PIN |  |
| 0 PLC ± -                              |  | PRODUCT SPEC               | 4.57 [.180] LONG SOLDER TAILS             |  |
| 1 PLC ± -                              |  | APPLICATION SPEC           | SIZE CAGE CODE DRAWING NO                 |  |
| 2 PLC ± 0.13 [.005]                    |  | RESTRICTED TO              | A1 00779 C=533420                         |  |
| 3 PLC ± -                              |  | WEIGHT                     | SCALE 4:1 SHEET 1 OF 2 REV P              |  |
| 4 PLC ± -                              |  | CUSTOMER DRAWING           |   |  |
| ANGLES ± -                             |  |                            |   |  |
| MATERIAL                               |  |                            |   |  |
| FINISH                                 |  |                            |   |  |

| REVISIONS |     |             |      |    |
|-----------|-----|-------------|------|----|
| P         | LTR | DESCRIPTION | DATE | BY |
| -         |     | SEE SHEET 1 | -    | -  |

- 1 HOUSING MATERIAL: THERMOPLASTIC, COLOR-BLACK.
- 2 CONTACT MATERIAL: PHOSPHOR BRONZE.
- 3 FINISH:  
MATING AREA: MEETS THE PERFORMANCE REQUIREMENTS OF PRODUCT SPECIFICATION 108-9063; BASED ON TELCORDIA DR-1217-CORE APPLICATIONS IN UNCONTROLLED ENVIRONMENTS.  
SOLDER TAILS AREA: TIN-LEAD PLATED.
- 4 RIGHT ANGLE PIN RECOMMENDED P.C. BOARD HOLE SIZES ARE 0.94-1.09 [.037-.043]; RECOMMENDED PAD DIA IS 1.52 [.060].
- 5 MOUNTING EARS AND HARDWARE PURCHASED SEPARATELY, KIT PART NUMBER 533050-1.
- 6 DIMENSIONS IN BRACKETS ARE IN INCHES.
- 7 HOUSINGS WITH CENTER MOUNTING IS RECOMMENDED FOR ASSEMBLIES HAVING 75 CONTACTS PER ROW OR MORE.
- 8 PART NUMBER IS OBSOLETE.
- 9 FINISH:  
CONTACT FINISH: .00127-.00254 [.000050-.000100] NICKEL UNDERPLATE ALL OVER; .000762 [.000030] GOLD PLATE IN CONTACT AREA, TIN-LEAD PLATED POSTS.

|         |     |          |          |          |      |             |
|---------|-----|----------|----------|----------|------|-------------|
| 48.26   | +9  | 52.07    | 62.23    | 69.85    | -60  | 2-533420-2  |
| [1.900] |     | [2.050]  | [2.450]  | [2.750]  |      |             |
| 43.18   | +7  | 46.99    | 57.15    | 64.77    | -54  | 2-533420-1  |
| [1.700] |     | [1.850]  | [2.250]  | [2.550]  |      |             |
| 81.28   | -32 | 85.09    | 95.25    | 102.87   | -99  | 2-533420-0  |
| [3.200] |     | [3.350]  | [3.750]  | [4.050]  |      |             |
| 210.82  | -83 | 214.63   | 224.79   | 232.41   | -252 | 1-533420-9  |
| [8.300] |     | [8.450]  | [8.850]  | [9.150]  |      |             |
| 167.64  | -66 | 171.45   | 181.61   | 189.23   | -201 | 1-533420-8  |
| [6.600] |     | [6.750]  | [7.150]  | [7.450]  |      |             |
| 251.46  | -99 | 255.27   | 265.43   | 273.05   | -300 | 1-533420-7  |
| [9.900] |     | [10.050] | [10.450] | [10.750] |      |             |
| 238.76  | -94 | 242.57   | 252.73   | 260.35   | -285 | 1-533420-6  |
| [9.400] |     | [9.550]  | [9.950]  | [10.250] |      |             |
| 226.06  | -89 | 229.87   | 240.03   | 247.65   | -270 | 1-533420-5  |
| [8.900] |     | [9.050]  | [9.450]  | [9.750]  |      |             |
| 213.36  | -84 | 217.17   | 227.33   | 234.95   | -255 | 1-533420-4  |
| [8.400] |     | [8.550]  | [8.950]  | [9.250]  |      |             |
| 200.66  | -79 | 204.47   | 214.63   | 222.25   | -240 | 1-533420-3  |
| [7.900] |     | [8.050]  | [8.450]  | [8.750]  |      |             |
| 187.96  | -74 | 191.77   | 201.93   | 209.55   | -225 | 1-533420-2  |
| [7.400] |     | [7.550]  | [7.950]  | [8.250]  |      |             |
| 175.26  | 69  | 179.07   | 189.23   | 196.85   | 210  | 1-533420-1  |
| [6.900] |     | [7.050]  | [7.450]  | [7.750]  |      |             |
| 162.56  | -64 | 166.37   | 176.53   | 184.15   | +95  | 1-533420-0  |
| [6.400] |     | [6.550]  | [6.950]  | [7.250]  |      |             |
| 149.86  | 59  | 153.67   | 163.83   | 171.45   | 180  | 533420-9    |
| [5.900] |     | [6.050]  | [6.450]  | [6.750]  |      |             |
| 137.16  | -54 | 140.97   | 151.13   | 158.75   | +65  | 533420-8    |
| [5.400] |     | [5.550]  | [5.950]  | [6.250]  |      |             |
| 124.46  | -49 | 128.27   | 138.43   | 146.05   | +50  | 533420-7    |
| [4.900] |     | [5.050]  | [5.450]  | [5.750]  |      |             |
| 111.76  | -44 | 115.57   | 125.73   | 133.35   | +35  | 533420-6    |
| [4.400] |     | [4.550]  | [4.950]  | [5.250]  |      |             |
| 99.06   | -39 | 102.87   | 113.03   | 120.65   | +20  | 533420-5    |
| [3.900] |     | [4.050]  | [4.450]  | [4.750]  |      |             |
| 86.36   | -34 | 90.17    | 100.33   | 107.95   | +05  | 533420-4    |
| [3.400] |     | [3.550]  | [3.950]  | [4.250]  |      |             |
| 78.74   | 31  | 82.55    | 92.71    | 100.33   | 96   | 533420-3    |
| [3.100] |     | [3.250]  | [3.650]  | [3.950]  |      |             |
| 73.66   | -29 | 77.47    | 87.63    | 95.25    | -90  | 533420-2    |
| [2.900] |     | [3.050]  | [3.450]  | [3.750]  |      |             |
| 60.96   | 24  | 64.77    | 74.93    | 82.55    | 75   | 533420-1    |
| [2.400] |     | [2.550]  | [2.950]  | [3.250]  |      |             |
| E       | D   | C        | B        | A        | POSN | PART NUMBER |

|  |  |   |  |   |  |
|--|--|---|--|---|--|
| THIS DRAWING IS A CONTROLLED DOCUMENT.   |  | DIN R. K. SEIFRIED 05/17/90<br>CHK G. SKIPPER 9-22-93<br>APVD G. SKIPPER 9-22-93<br>PRODUCT SPEC  |  |  TE Connectivity |  |
| DIMENSIONS: mm [INCHES]<br>TOLERANCES UNLESS OTHERWISE SPECIFIED:<br>0 PLC ± -<br>1 PLC ± -<br>2 PLC ± 0.13 [.005]<br>3 PLC ± -<br>4 PLC ± -<br>ANGLES ± - |  | NAME HDI, ASSEMBLY 3 ROW, RIGHT ANGLE PIN 4.57 [180] LONG SOLDER TAILS<br>APPLICATION SPEC<br>SIZE CAGE CODE DRAWING NO<br>WEIGHT - A1 00779 533420 |  | RESTRICTED TO<br>CUSTOMER DRAWING SCALE 4:1 SHEET 2 OF 2 REV P  |  |