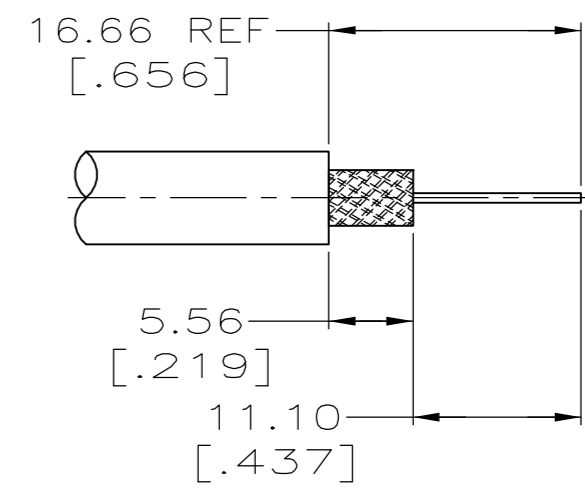
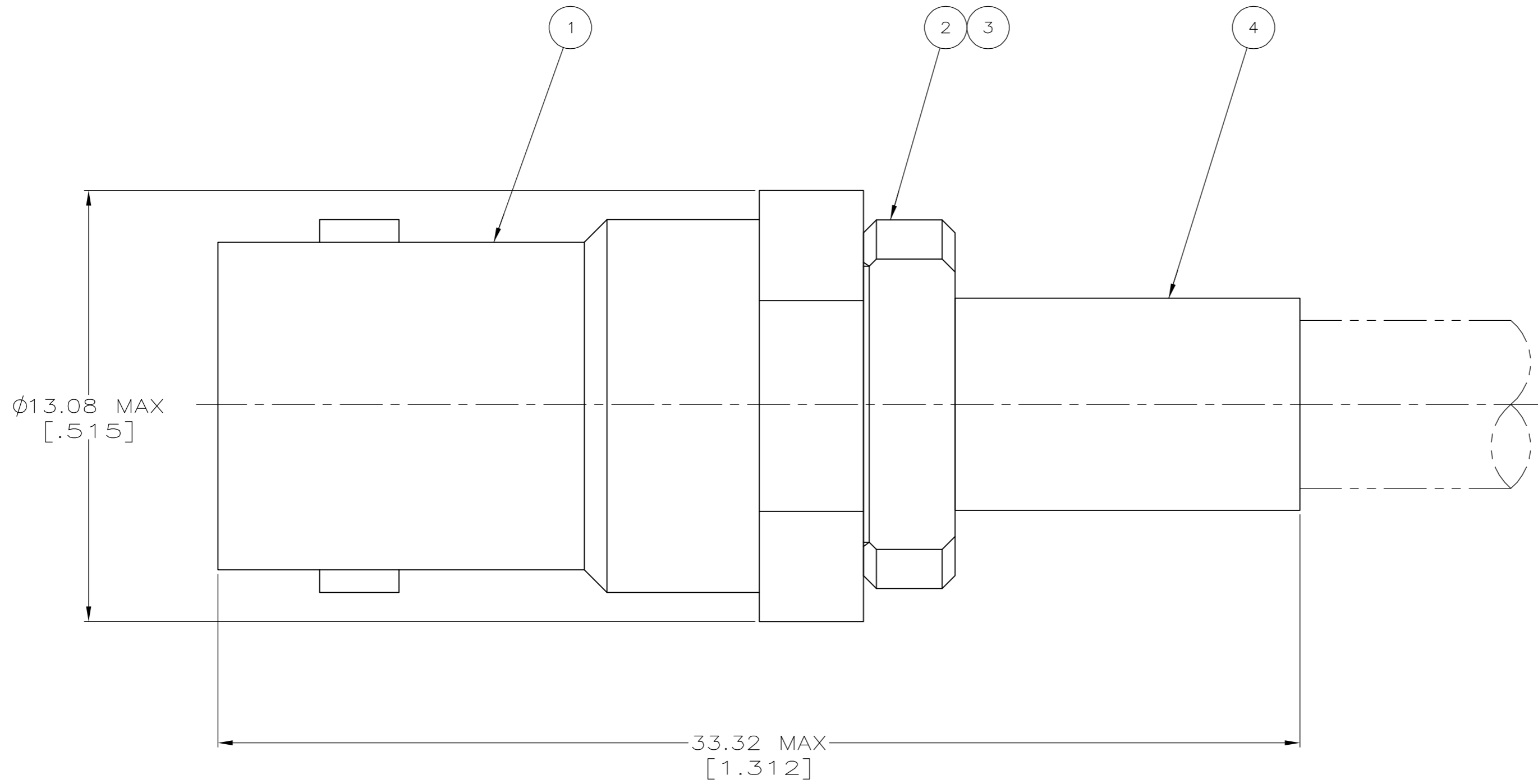


THIS DRAWING IS UNPUBLISHED. RELEASED FOR PUBLICATION
 © COPYRIGHT BY TYCO ELECTRONICS CORPORATION. ALL RIGHTS RESERVED.

LOC	DIST	REVISIONS			
P	LTR	DESCRIPTION	DATE	DWN	APVD
AJ	16	A	REV PER ECO 06-002539	07APR06	GB JH

1. USE INSTRUCTION SHEET 408-1799-2.
2. FOR USE WITH: RG-174/U & RG-188/U CABLE.
3. USE PROCRIMPER 354940-1 WITH DIE SET 91910-1.



RECOMMENDED STRIP LENGTH
SCALE 2:1

9-328666-3	9-50793-4	2-329106-1	9-329802-0	2-5330062-1
4 FERRULE QTY=1	3 CRIMP END ASSEMBLY QTY=1	2 GASKET QTY=1	1 JACK ASSEMBLY QTY=1	PART NUMBER

THIS DRAWING IS A CONTROLLED DOCUMENT.		DWN B. MCMASTER 10DEC05	Tyco Electronics Corporation Harrisburg, PA 17105-3608	
DIMENSIONS: mm [INCHES]		CHK J. LIPPERT 10DEC05	NAME JACK, BNC, SINGLE CRIMP	
TOLERANCES UNLESS OTHERWISE SPECIFIED: 0 PLC ± - 1 PLC ± - 2 PLC ± 0.41 [.016] 3 PLC ± - 4 PLC ± - ANGLES ± -		APVD J. LIPPERT 10DEC05	RESTRICTED TO	
MATERIAL		PRODUCT SPEC	SIZE A2	CAGE CODE 00779
FINISH		APPLICATION SPEC	DRAWING NO C=5330062	REV A
		WEIGHT	SCALE 8:1	SHEET 1 of 1
		CUSTOMER DRAWING		