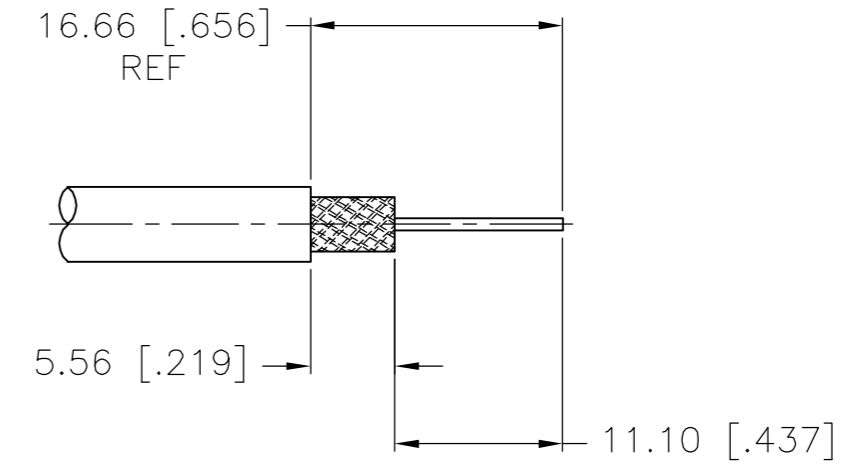
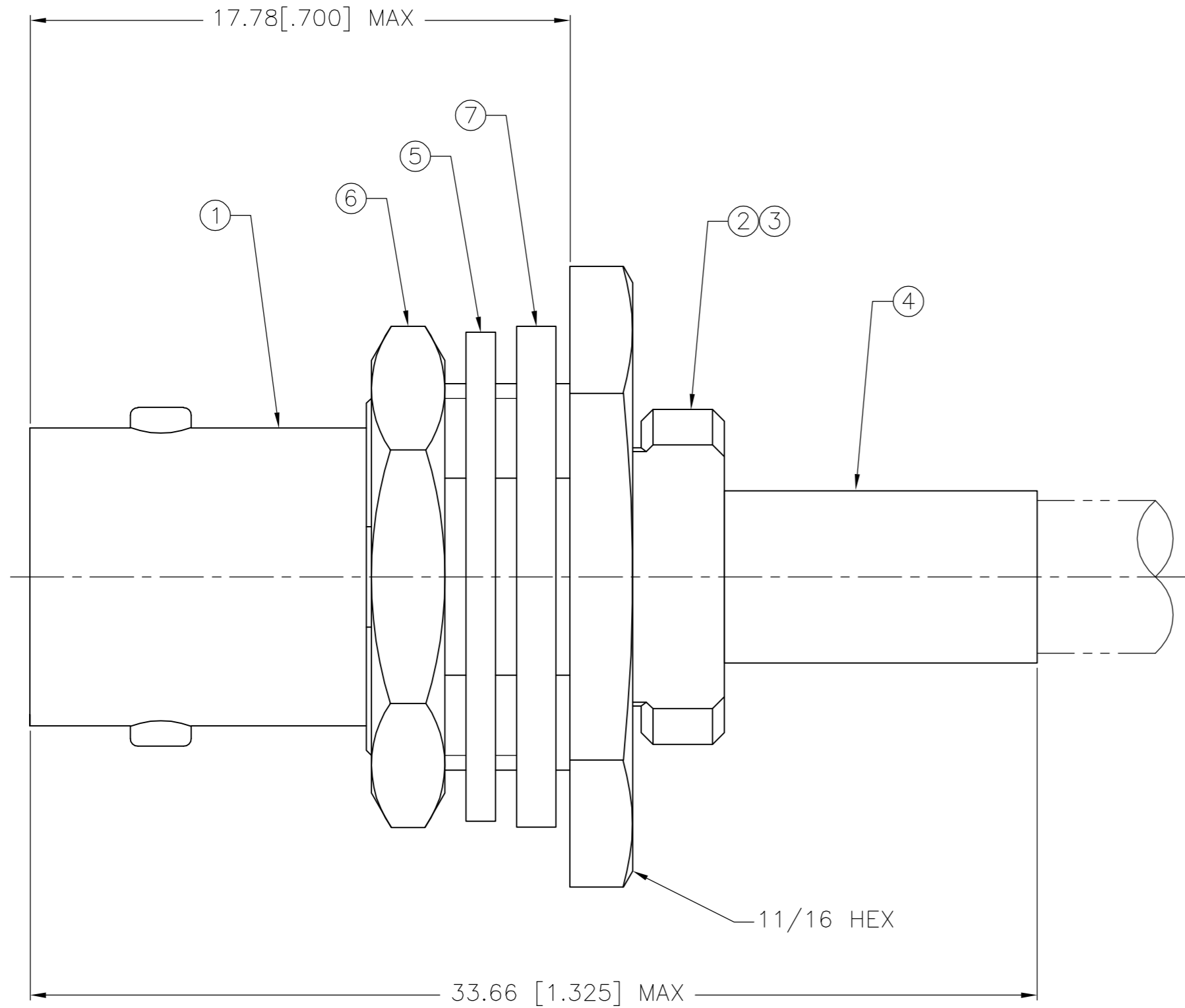


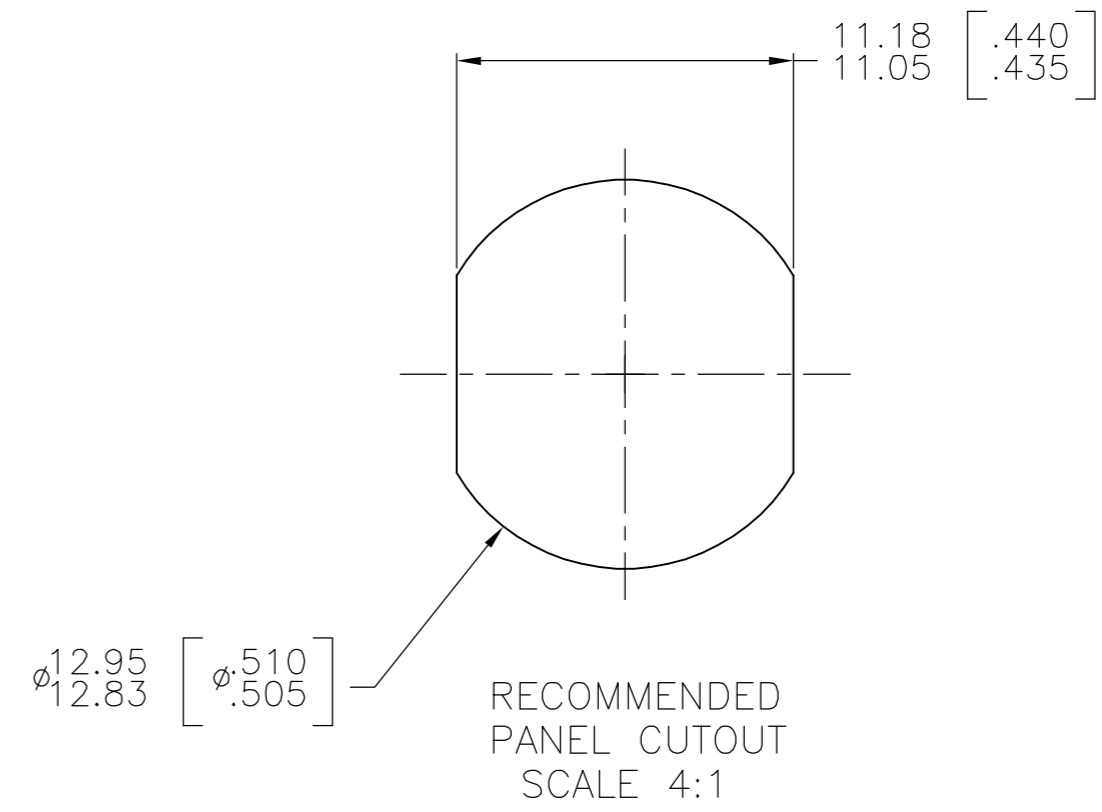
THIS DRAWING IS UNPUBLISHED. RELEASED FOR PUBLICATION
 © COPYRIGHT BY TYCO ELECTRONICS CORPORATION. ALL RIGHTS RESERVED.

Loc		DIST		REVISIONS			
P	LTR	DESCRIPTION		DATE	DWN	APVD	
AJ	16	A		REV PER ECO 06-002539	06APR06	GB	JH

- USE INSTRUCTION SHEET 408-1799-3.
- PANEL THICKNESS: .031/.125.
- CRIMPING TOOL: PROCRIMPER 354940-1 WITH DIESET 91910-1.



RECOMMENDED STRIP LENGTH SCALE 2:1



RECOMMENDED PANEL CUTOUT SCALE 4:1

RG-161/U, 179/U, 187/U	329633	9-329631-0	9-329632-0	9-328666-3	9-50793-2	2-329106-1	9-329800-0	2-5329458-1
CABLE	⑦ GASKET QTY=1	⑥ JAM NUT QTY=1	⑤ LOCK WASHER QTY=1	④ FERRULE QTY=1	③ CRIMP END ASSEMBLY QTY=1	② GASKET QTY=1	① JACK ASSEMBLY, BULKHEAD QTY=1	PART NUMBER

THIS DRAWING IS A CONTROLLED DOCUMENT.

DIMENSIONS: mm [INCHES]	TOLERANCES UNLESS OTHERWISE SPECIFIED:	DWN B. MCMASTER 24OCT05	Tyco Electronics Corporation Harrisburg, PA 17105-3608
	0 PLC ± -	CHK J. HAVENER 24OCT05	
	1 PLC ± -	APVD J. HAVENER 24OCT05	
	2 PLC ± 0.41 [.016]	PRODUCT SPEC	
MATERIAL	FINISH	APPLICATION SPEC	NAME JACK, BULKHEAD, BNC, SINGLE CRIMP
		WEIGHT	SIZE A2 CAGE CODE 00779 DRAWING NO C=5329458 RESTRICTED TO
		CUSTOMER DRAWING	SCALE 6:1 SHEET 1 of 1 REV A

5329458