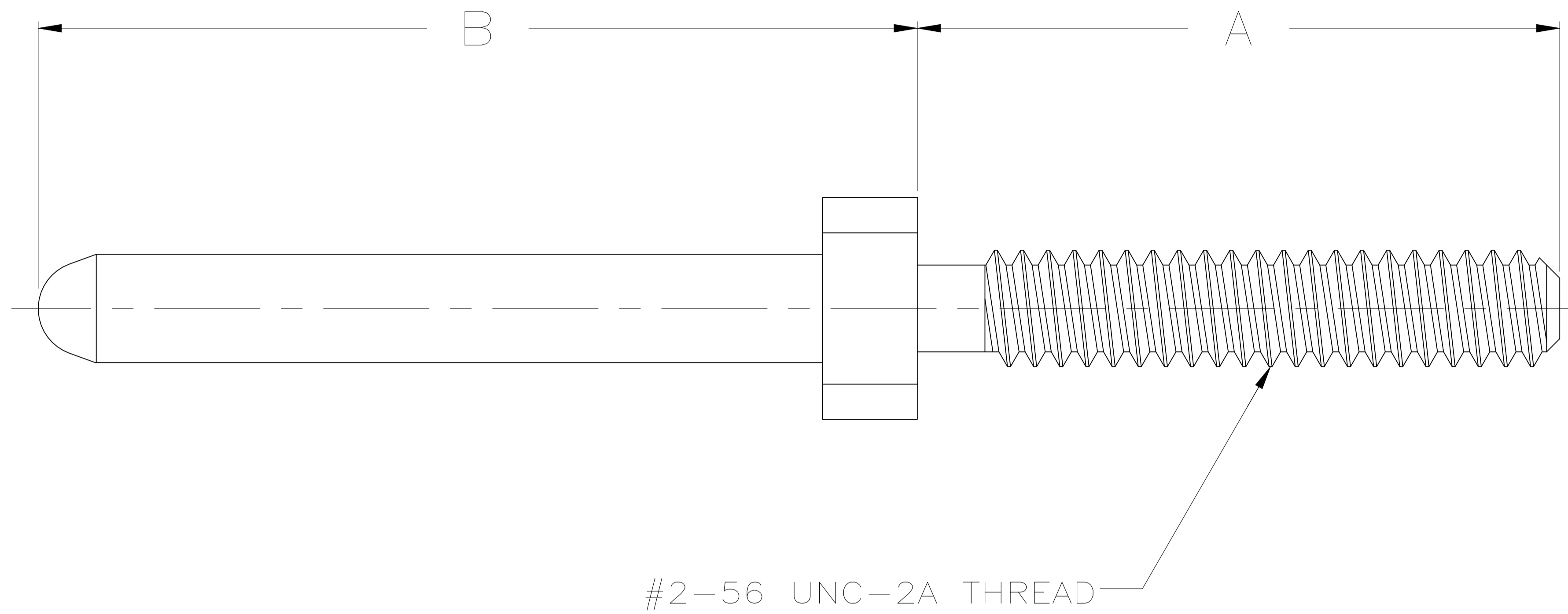
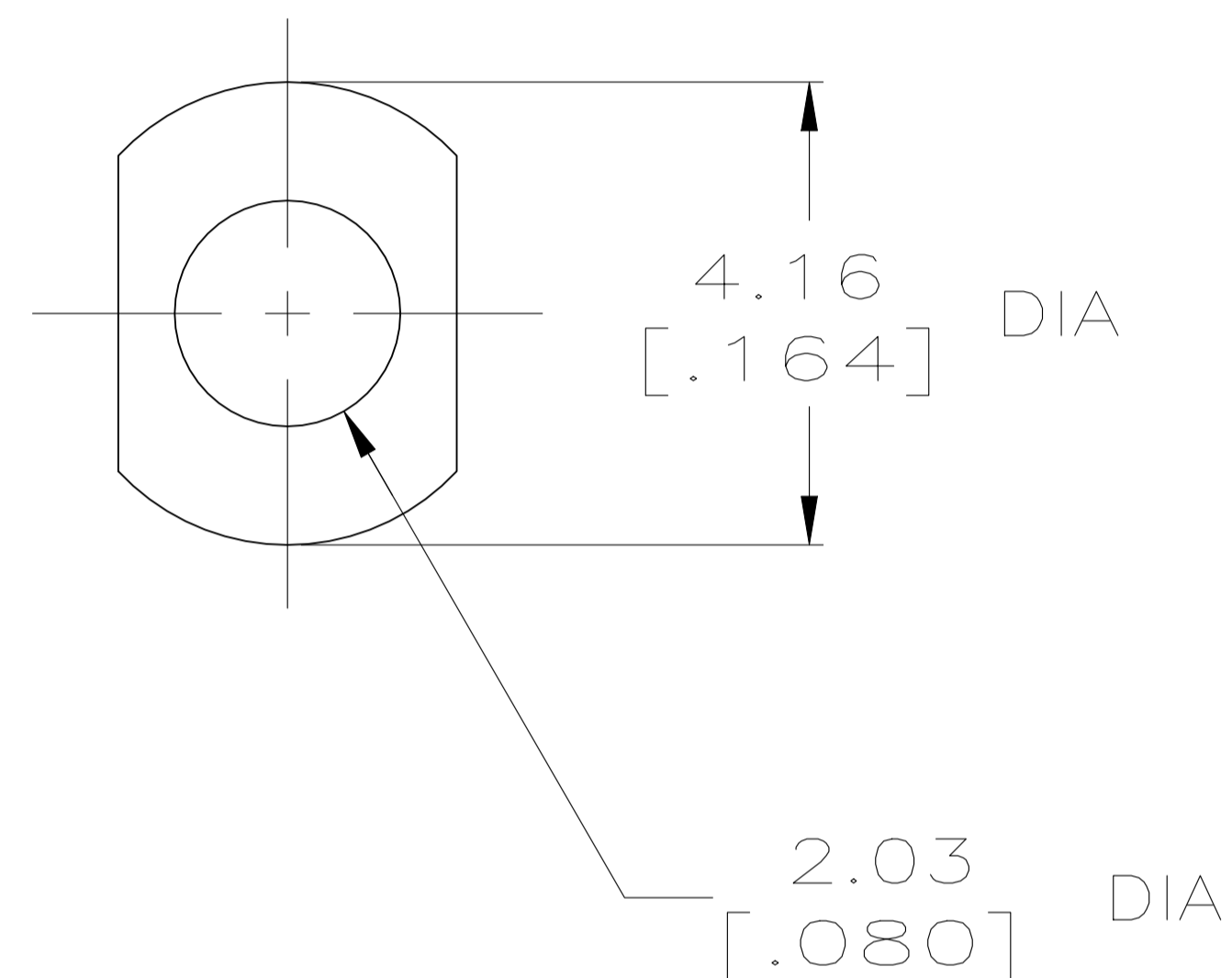


REVISIONS				
REV	DATE	DESCRIPTION	BY	APPV
R3	21OCT2022	REVISED PER ECN-22-180807	NV	HL



7 OBSOLETE

B	A	FINISH	PART NUMBER
21.59 [.850]	10.67 [.420]	—	2-532828-9
21.59 [.850]	10.67 [.420]	PLAIN	2-532828-8
24.89 [.980]	9.53 [.375]	—	2-532828-7
24.89 [.980]	9.53 [.375]	PLAIN	2-532828-6
21.59 [.850]	8.13 [.320]	—	2-532828-5
21.59 [.850]	8.13 [.320]	PLAIN	2-532828-4
29.21 [1.150]	8.51 [.335]	PLAIN	2-532828-3
—	—	—	2-532828-2
24.89 [.980]	25.40 [1.000]	—	2-532828-1
24.89 [.980]	25.40 [1.000]	PLAIN	2-532828-0
24.89 [.980]	17.14 [.675]	PLAIN	1-532828-9
—	—	—	1-532828-8
—	—	—	1-532828-7
—	—	—	1-532828-6

21.59 [.850]	12.06 [.475]	—	1-532828-5
21.59 [.850]	12.06 [.475]	PLAIN	1-532828-4
—	—	—	1-532828-3
—	—	—	1-532828-2
30.35 [1.195]	12.06 [.475]	—	1-532828-1
30.35 [1.195]	12.06 [.475]	PLAIN	1-532828-0
—	—	—	532828-9
26.04 [1.025]	12.06 [.475]	—	532828-8
26.04 [1.025]	12.06 [.475]	PLAIN	532828-7
—	—	—	532828-6
24.89 [.980]	12.06 [.475]	—	532828-5
24.89 [.980]	12.06 [.475]	PLAIN	532828-4
—	—	—	532828-3
29.21 [1.150]	12.06 [.475]	—	532828-2
29.21 [1.150]	12.06 [.475]	PLAIN	532828-1

- 1 MATERIAL: BRASS
- 2 FINISH: 0.00127-0.00254[.000050-.000100] NICKEL UNDERPLATE ALL OVER; 0.00076-0.00102[.000030-.000040] GOLD PLATE.
- 3 FINISH: 0.00254[.000100] MIN COPPER UNDERPLATE ALL OVER; 0.00508-0.00635[.000200-.000250] SILVER PLATE.
- 4 FINISH: 0.00127-0.00254[.000050-.000100] NICKEL UNDERPLATE ALL OVER; 0.00127[.000050] GOLD PLATE.
- 5 FINISH: 0.00127-0.00254[.000050-.000100] NICKEL UNDERPLATE ALL OVER; 0.00127[.000050] GOLD PLATE.
- 6 PART NUMBER IS OBSOLETE.
- 7 OBSOLETE PARTS: OBSOLETE CIS STREAMLINING PER D.RENAUD/D.SINISI

THIS DRAWING IS A CONTROLLED DOCUMENT.

DIMENSIONS: mm [INCHES]	TOLERANCES UNLESS OTHERWISE SPECIFIED:	DIN R.K. SEIFRIED 06/11/90	APVD J.D. WEARY	DATE 9/3/92	TE Connectivity
0. PLC ± -	1. PLC ± -	2. PLC ± -	3. PLC ± 0.13 [.005]	4. PLC ± -	ANGLES ± -
MATERIAL	FINISH	WEIGHT 0.000000	SIZE A1	CAGE CODE 00779	DRAWING NO. 532828
CUSTOMER DRAWING			SCALE 8:1	SHEET 1 of 1	REV 3