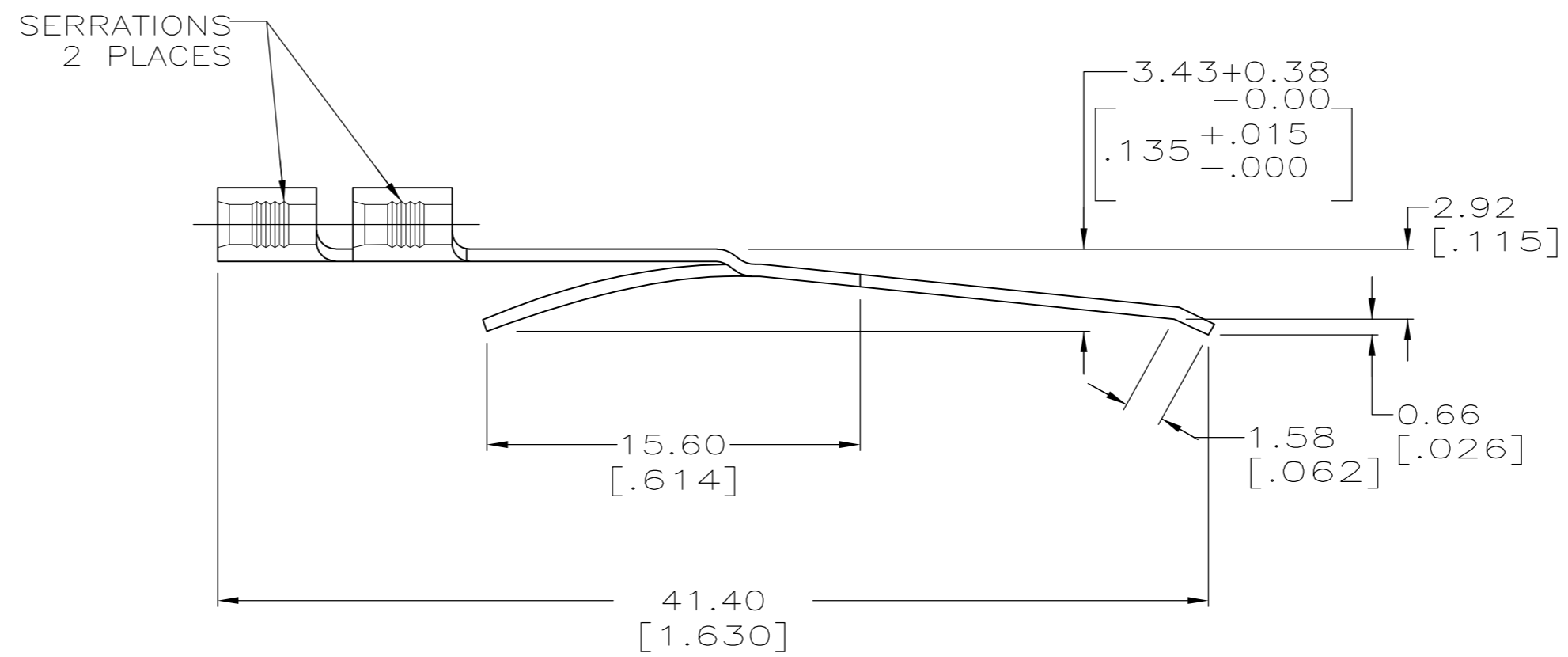
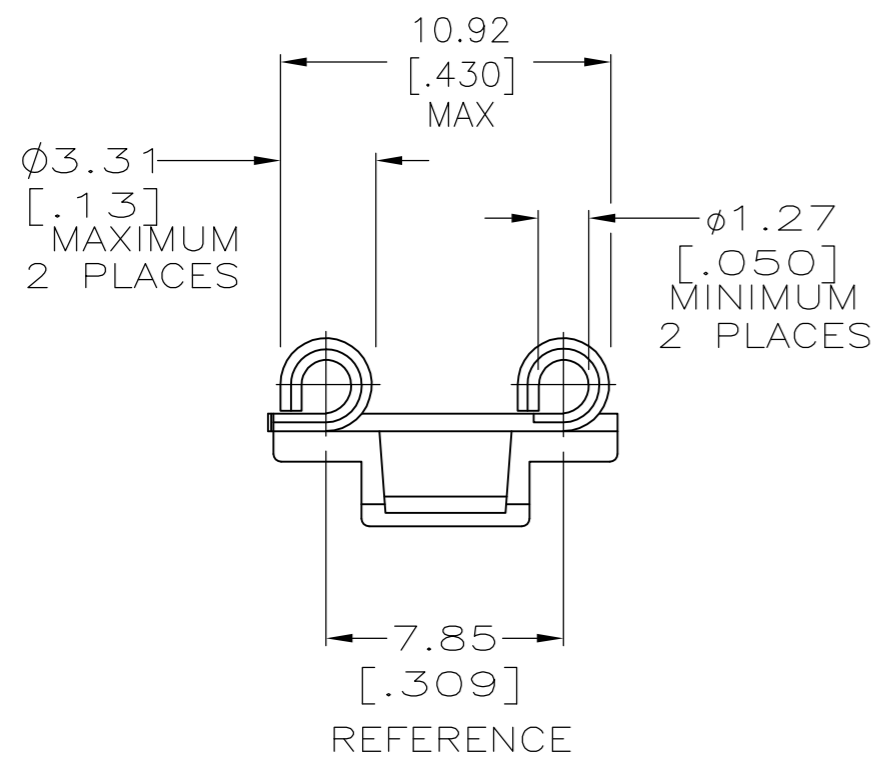
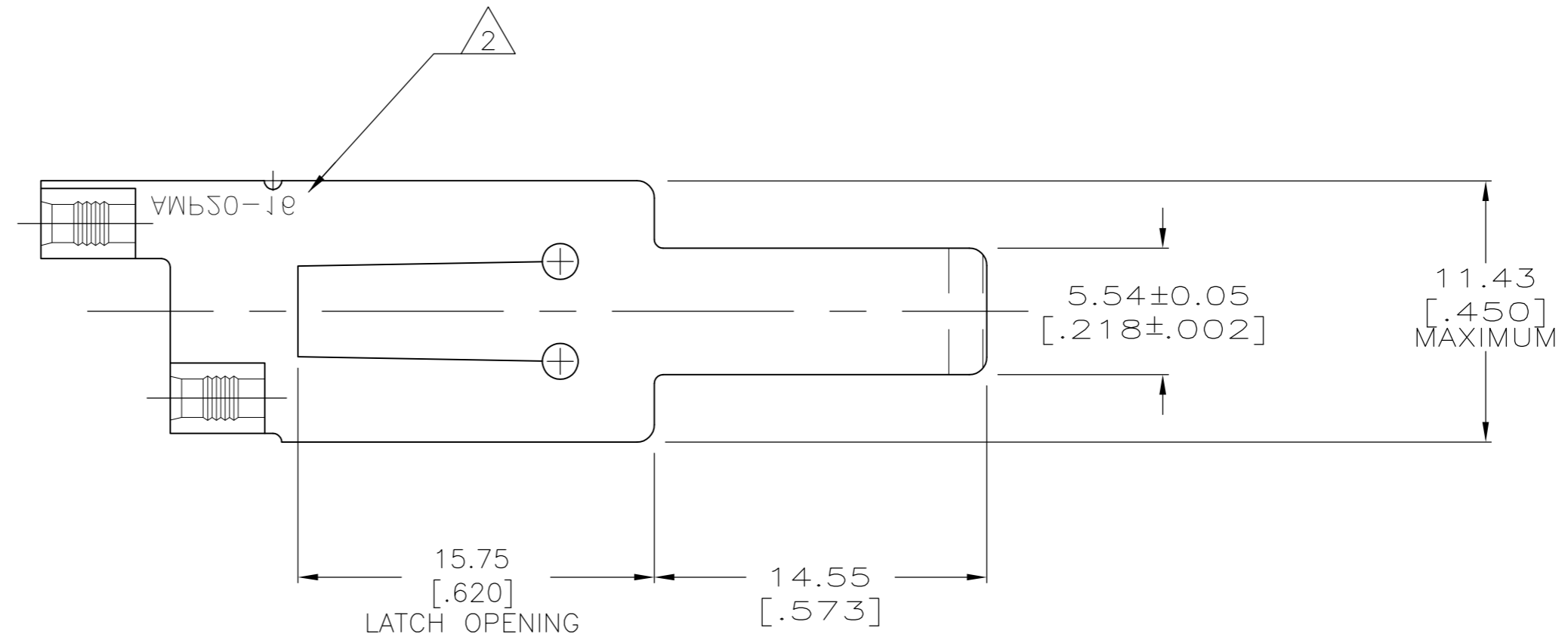


THIS DRAWING IS UNPUBLISHED. RELEASED FOR PUBLICATION  
 © COPYRIGHT - By - ALL RIGHTS RESERVED.

REVISIONS				
P	LTR	DESCRIPTION	DATE	APVD
E		REVISED PER ECO-15-012447	21JUN2016	NK DR

- 1 DIMENSIONS ARE NOMINAL UNLESS OTHERWISE SPECIFIED.
- 2 TEXT IS LOCATED ON FAR SIDE OF PART.
- 3 MATERIAL: PHOSPHOR BRONZE 0.51[.021] THICK, SILVER PLATED.



53112-1  
PART NO.

THIS DRAWING IS A CONTROLLED DOCUMENT.		DWN L. McEACHIN/UTA 25MAR96	TE Connectivity	
DIMENSIONS: mm [INCHES]		CHK N. JONES 28FEB96	NAME WIRE TERMINAL, SOLISTRAND-FLAG RELAY CONTACT, WIRE SIZE 20-16	
TOLERANCES UNLESS OTHERWISE SPECIFIED:		APVD P. RIEDL 5MAR96	DRAWING NO A2 00779 C=53112	
0 PLC ± - 1		PRODUCT SPEC	RESTRICTED TO	
1 PLC ± - 1		APPLICATION SPEC	-	
2 PLC ± 0.51[.02]		WEIGHT	-	
3 PLC ± 0.127[.005]		CUSTOMER DRAWING	SCALE 4:1 SHEET 1 OF 1 REV E	
4 PLC ± - 1				
ANGLES ± -				
FINISH				
3				