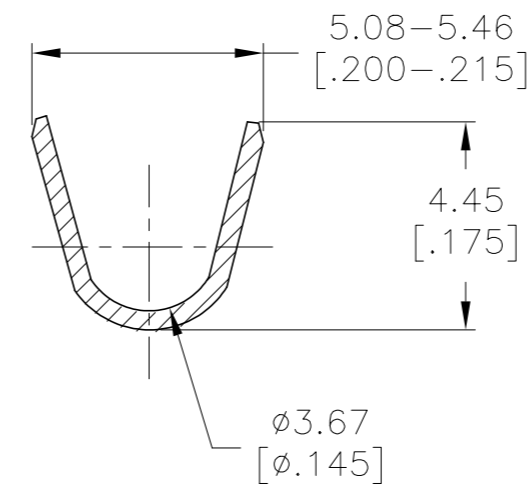
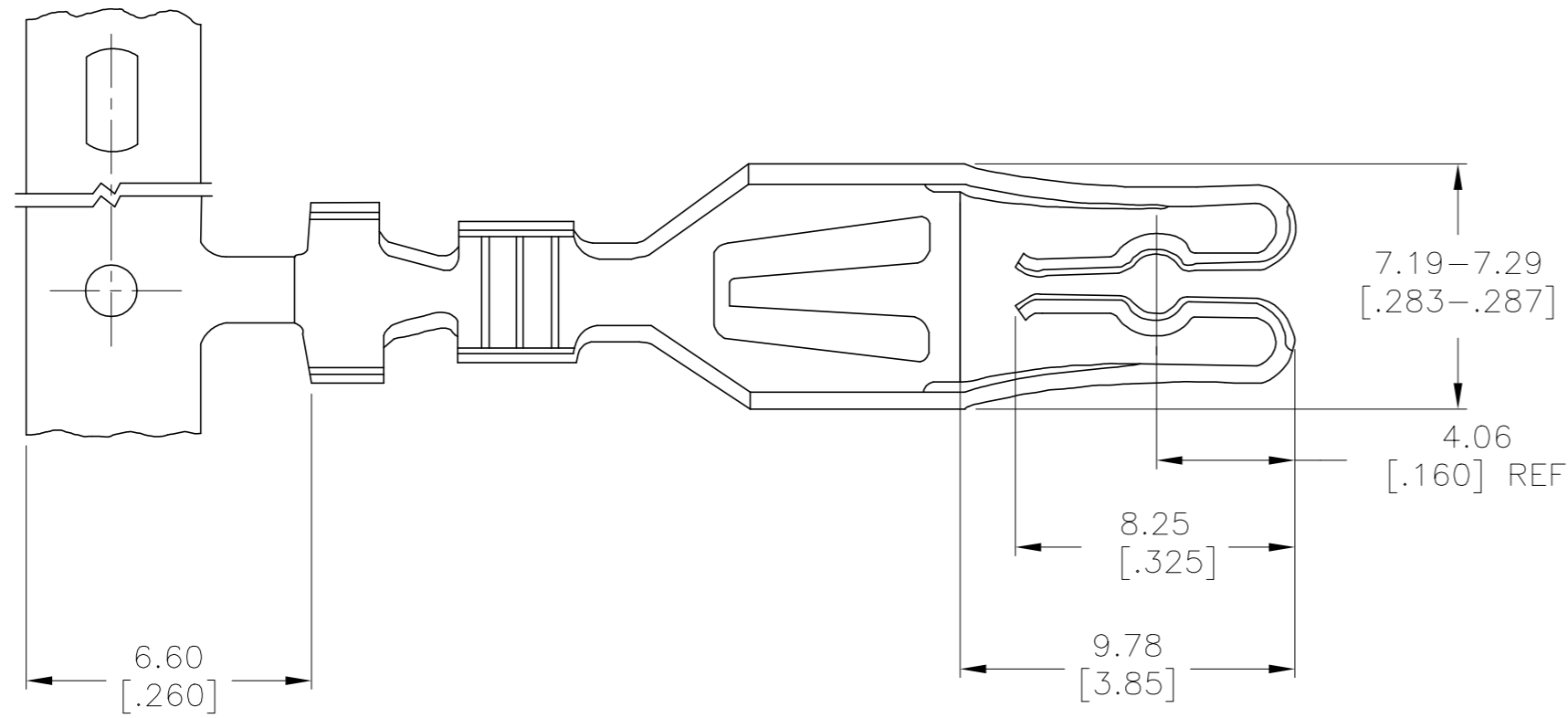
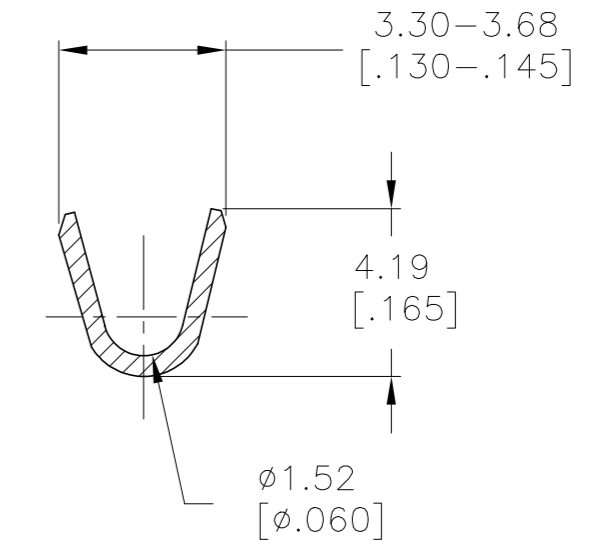


THIS DRAWING IS UNPUBLISHED. RELEASED FOR PUBLICATION
 © COPYRIGHT - By - ALL RIGHTS RESERVED.

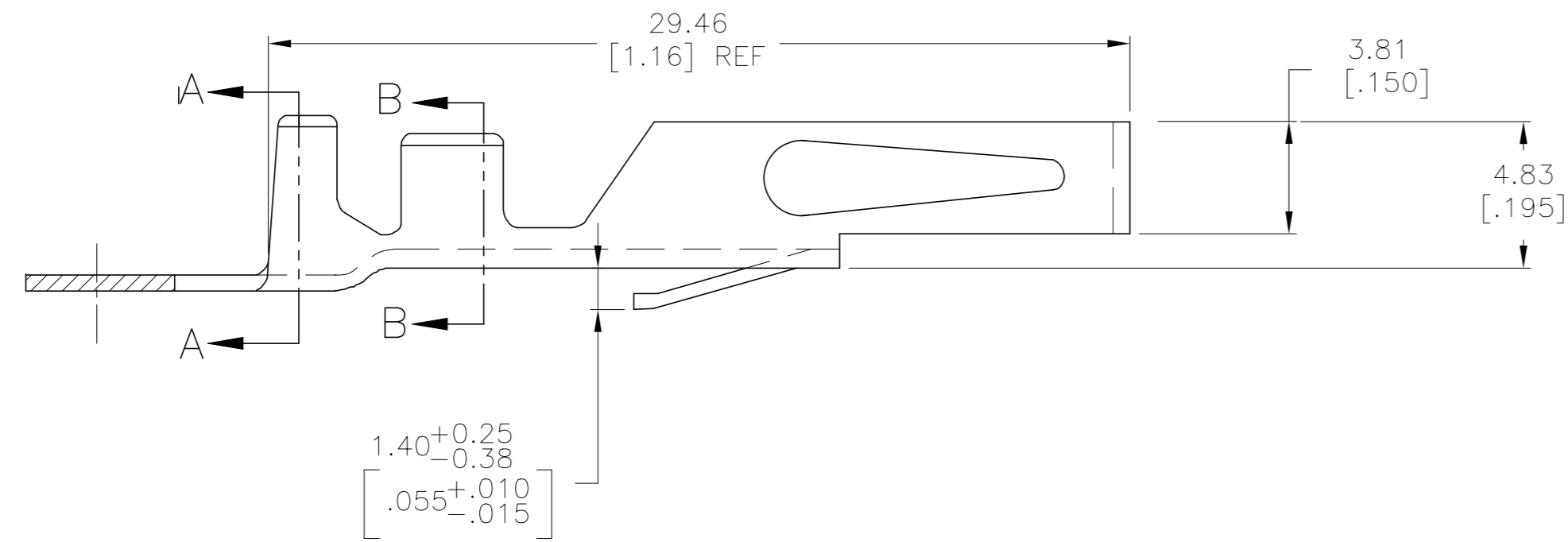
REVISIONS					
P	LTR	DESCRIPTION	DATE	DWN	APVD
	K1	REVISED PER ECO-19-019022	19DEC2019	RS	JO



INSULATION 2.29-3.68
 RANGE [.090-.145]
 SECTION, A-A



WIRE RANGE 14-16
 SECTION, B-B



- 1 0.0038 (.000150) MIN BRIGHT TIN-LEAD OVER 0.00076 (.000030) MIN NICKEL.
- 2 SILVER PLATE 0.0038[.000150] MIN THK ALL OVER.
- 3 0.0038 (.000150) MIN MATTE TIN OVER 0.00076 (.000030) MIN NICKEL.

3	5-530517-2
2	530517-3
1	530517-2
FINISH	PART NO

THIS DRAWING IS A CONTROLLED DOCUMENT.		DWN	15 MAY 75	TE TE Connectivity	
		CHK	15 MAY 75		
DIMENSIONS: mm [INCHES]		APVD	16 MAY 75	NAME	
		TOLERANCES UNLESS OTHERWISE SPECIFIED:		PRODUCT SPEC	
		0 PLC ± - 1 PLC ± - 2 PLC ± - 3 PLC ± .005 4 PLC ± - ANGLES ± -		APPLICATION SPEC	
MATERIAL ALLOY CDA-194		WEIGHT	-	SIZE	A2
		FINISH	-	CAGE CODE	00779
				DRAWING NO	530517
		CUSTOMER DRAWING		RESTRICTED TO	-
		SCALE	5:1	SHEET	1 of 1
				REV	K1