

4

3

2

1

THIS DRAWING IS UNPUBLISHED.

RELEASED FOR PUBLICATION

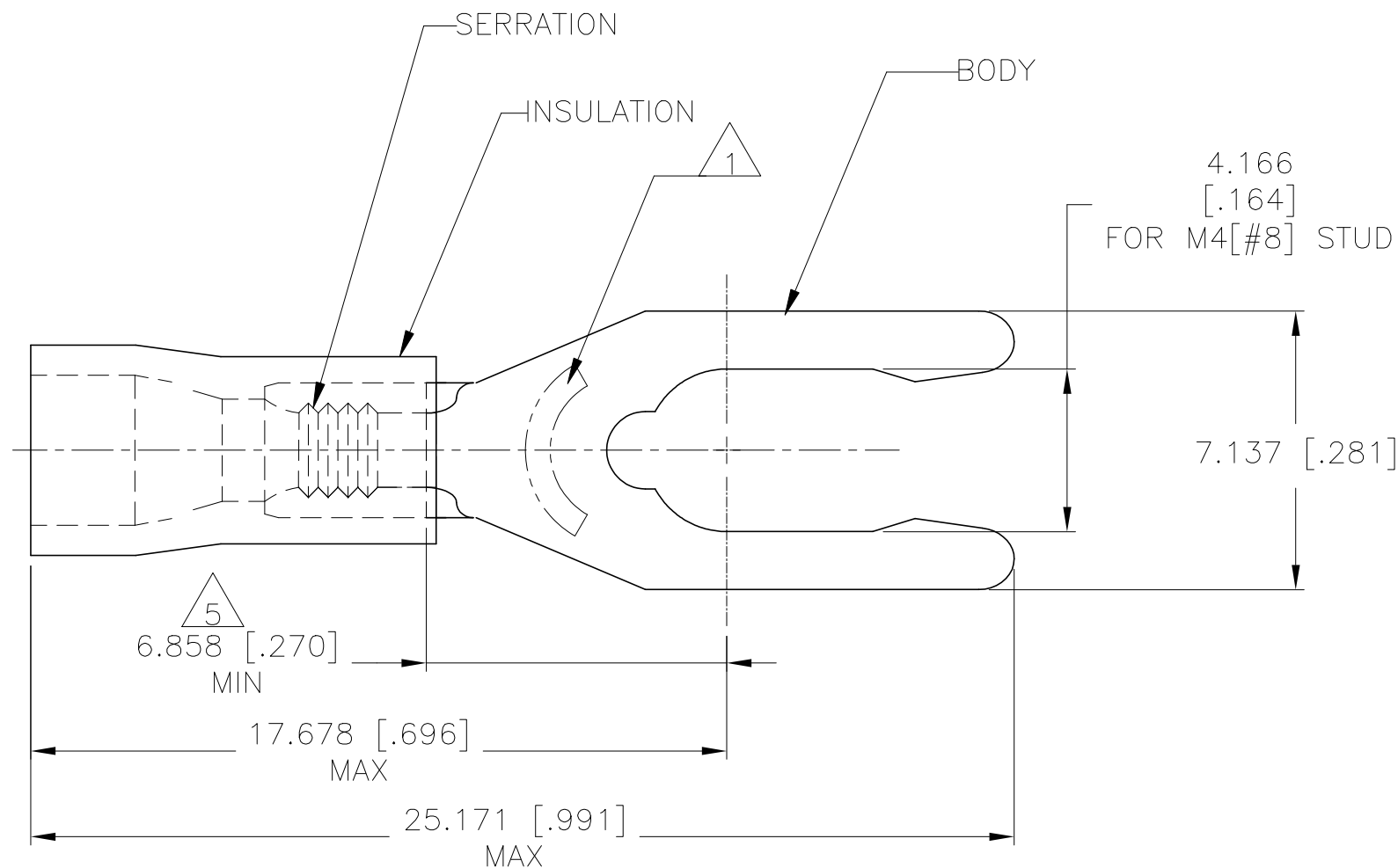
ALL RIGHTS RESERVED.

© COPYRIGHT - By -

REVISIONS


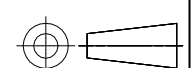

P	LTR	DESCRIPTION	DATE	DWN	APVD
	J1	REV PER ECO-12-014455	13SEP12	KH	DR
	J2	REVISED PER ECO-17-014338	29MAR2018	RS	DR
	J3	REVISED PER ECO-19-009076	14JUN2019	RS	DR

AMP WIRE RANGE	 Listed FILE E13288	 LR7189 Certified
22-16 AWG SOLID OR STRANDED	22-16 AWG SOLID OR STRANDED	22-16 AWG SOLID OR STRANDED



- 1 STAMP "8SAMP 22-18*" APPROX AS SHOWN
22-16 TERMINALS ARE STAMPED 22-18 IN
ACCORDANCE WITH MILITARY SPEC SAE AS7928
COMMERCIAL WIRE RANGE IS 22-16
- 2 WIRE INSUL ϕ 2.667-3.556 [.105-.140]
- 3 BODY MATL THK, 0.787 ± 0.051 [.031 \pm .002]
- 4 MATERIAL: BODY - BRASS. PER ASTM B36
INSULATION - PVC
- 5 APPLIES FROM THE EDGE OF METAL BARREL TO
THE CENTER OF THE STUD.

5000	ON TAPE, REEL	52454-1
1000	LOOSE PIECE	52454
QTY	PACKAGE TYPE	PART NO

CUSTOMER SERVICE SYSTEMS		MAX RECOMMENDED OPERATING TEMPERATURE: 105°C [221°F]	THIS DRAWING IS A CONTROLLED DOCUMENT.		DWN L OLMEDA 26JUN95	 TE Connectivity Ltd.			
FOR ADDITIONAL PRODUCT INFORMATION OR COPIES OF DRAWINGS AND TECHNICAL DOCUMENTS	PRODUCT INFORMATION CENTER 1-800-522-6752	VOLTAGE RATING: 600V MAX (1000V FIXTURE OR SIGN)	DIMENSIONS: mm [INCHES]	TOLERANCES UNLESS OTHERWISE SPECIFIED:	CHK M ELLIS 26JUN95			NAME TERMINAL, SPRING SPADE, LONG, PLASTI-GRIP, WIRE SIZE: 22-16 AWG	
FOR APPLICATION TOOLING INFORMATION	TOOLING ASSISTANCE CENTER 1-800-722-1111	CIRCULAR MIL AREA: 0.26-1.65mm ² [509-3260] SOLID OR STRANDED		0 PLC ± - 1 PLC ± - 2 PLC ± - 3 PLC ± 0.127[.005] 4 PLC ± - ± - ANGLES	APVD G NGO 26JUN95	PRODUCT SPEC UL 486A-B			
FOR ORDER ENTRY	1-800-526-5142	THIS DRAWING IS A CONTROLLED DOCUMENT FOR AMP INCORPORATED. IT IS SUBJECT TO CHANGE AND THE CONTROLLING ENGINEERING ORGANIZATION SHOULD BE CONTACTED FOR THE LATEST REVISION.	MATERIAL 	FINISH BODY: TIN PER ASTM B545 INSULATION: COLOR-RED	APPLICATION SPEC 114-2161	SIZE A3	CAGE CODE 00779	DRAWING NO C-52454	RESTRICTED TO -
			CUSTOMER DRAWING		WEIGHT	SCALE 6:1		SHEET 1 OF 1	REV J3