

4

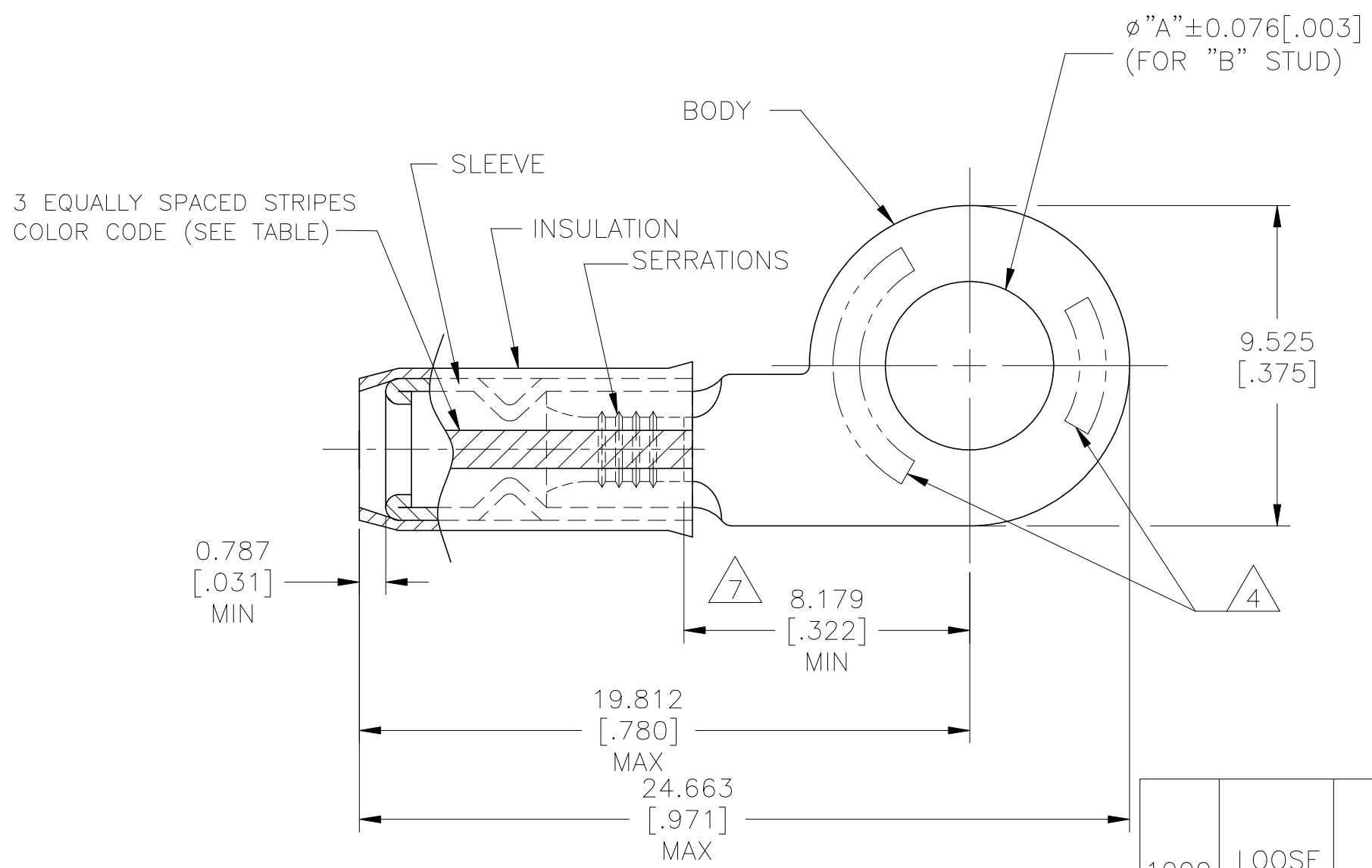
3

2

1

© - TE Connectivity. All Rights Reserved.

REVISIONS					
P	LTR	DESCRIPTION	DATE	DWN	APVD
	H	REVISED PER ECR-23-175984	30MAY2023	BB	DSC



- 1 NOTE DELETED.
- 2 BODY MATERIAL THICKNESS:
0.787±0.051[.031±.002]
- 3 WIRE INSULATION DIAMETER: SEE TABLE
- 4 STAMP "AMP " APPROX AS SHOWN, SEE TABLE
- 5 MATERIAL:
BODY & SLEEVE - COPPER PER ASTM B152
INSULATION - NYLON
- 6 FINISH:
BODY & SLEEVE - TIN PLATE 0.00254[.000100]
MIN EXT THK PER ASTM B545
INSULATION COLOR - RED
- 7 APPLIES FROM EDGE OF METAL WIRE BARREL TO CENTER OF STUD HOLE

1000	LOOSE PIECE	22	GREEN	3.683 [.145]	M3.5 [#6]	ø0.965[ø.038] ø2.794[ø.110]	22* 1/2	52884-4
		20	RED	5.004 [.197]	#10	ø1.168[ø.046]	20* 1	52884-3
				3.683 [.145]	M3.5 [#6]	ø2.794[ø.110]		52884-2
QTY	PACKAGE TYPE	WIRE SIZE	STRIPE COLOR	"A"	"B"	WIRE INSULATION DIAMETER	4 STAMPING	PART NO

CUSTOMER SERVICE SYSTEMS		MAX RECOMMENDED OPERATING TEMPERATURE: 105°C[221°F] MAX	THIS DRAWING IS A CONTROLLED DOCUMENT.		DWN jr_ruth 08JUN09	TE Connectivity				
FOR ADDITIONAL PRODUCT INFORMATION OR COPIES OF DRAWINGS AND TECHNICAL DOCUMENTS	PRODUCT INFORMATION CENTER 1-800-522-6752	VOLTAGE RATING: 300 V MAX	DIMENSIONS: mm [INCHES]	TOLERANCES UNLESS OTHERWISE SPECIFIED:	CHK TOM MICHIELUTTI 08JUN09			NAME TERMINAL, RING TONGUE-OFFSET, IR, PIDG, WIRE SIZE: 22 & 20 AWG		
FOR APPLICATION TOOLING INFORMATION	TOOLING ASSISTANCE CENTER 1-800-722-1111	WIRE RANGE: 22 20		0 PLC ± - 1 PLC ± - 2 PLC ± - 3 PLC ± 0.127[.005] 4 PLC ± - ANGLES ± -	APVD TOM MICHIELUTTI 08JUN09	SIZE A3	CAGE CODE 00779	DRAWING NO G-52284	RESTRICTED TO -	
FOR ORDER ENTRY	1-800-526-5142	CIRC MIL AREA: 0.38mm²[754] 0.60mm²[1,186] STRANDED			MATERIAL 5	FINISH 6	PRODUCT SPEC -	APPLICATION SPEC 114-2157	WEIGHT	SCALE NTS