

4

3


2

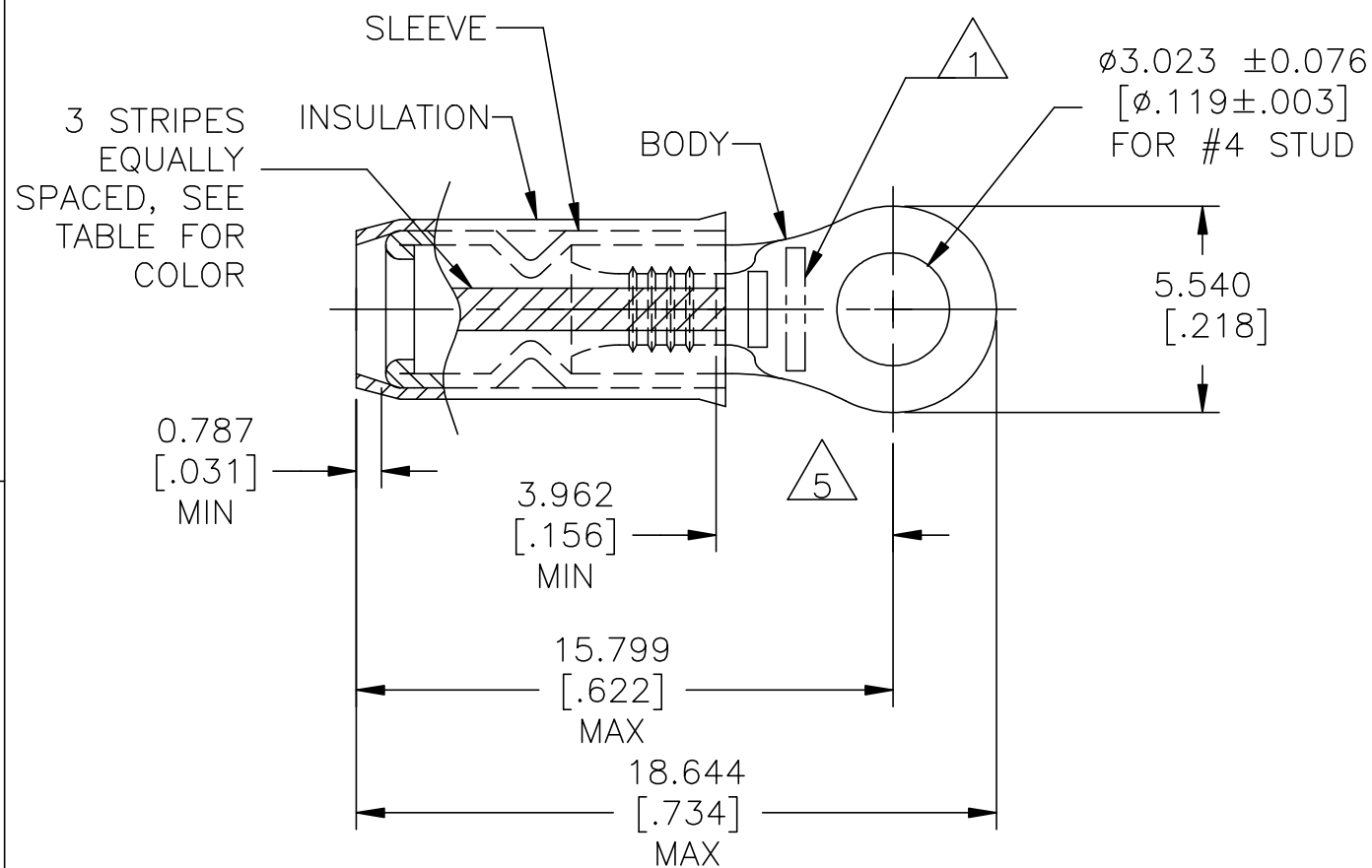
1

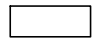
© - TE Connectivity. All Rights Reserved.

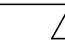
REVISIONS


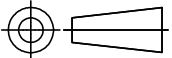


P	LTR	DESCRIPTION	DATE	DWN	APVD
P		REVISED PER ECR-23-175984	30MAY2023	BB	DSC

<b>AMP</b> WIRE RANGE	 LR7189 Certified
SEE TABLE STRANDED	WIRE SIZE PER TABLE STRANDED



- 1 STAMP "AMP ", (SEE TABLE) APPROX AS SHOWN.
- 2 WIRE INSULATION DIA: SEE TABLE.
- 3 BODY MATERIAL THK: 0.787±0.051[.031±.002].
- 4 MATERIAL:  
BODY & SLEEVE: CU PER ASTM B152  
INSULATION: NYLON
- 5 APPLIES FROM EDGE OF METAL WIRE BARREL TO CENTER OF STUD HOLE.
- 6 MEETS M7928/1-11, CLASS 1.
- 7 MEETS M7928/1-20, CLASS 1.
- 8 MEETS M7928/1-29, CLASS 1.
- 9 FINISH:  
BODY & SLEEVE: TIN PLATE 0.00254[.000100] MIN  
EXT THK PER ASTM B545  
INSULATION: COLOR - RED.

500	LOOSE PIECE	18*	Ø1.422[.056]-Ø2.794[.110]	18	WHITE	8	52273-2
500	LOOSE PIECE	20*	Ø1.168[.046]-Ø2.794[.110]	20	RED	7	52273-1
500	LOOSE PIECE	22*	Ø0.965[.038]-Ø2.794[.110]	22	GREEN	6	52273
QTY	PACKAGE TYPE		WIRE INSUL. DIA	WIRE SIZE	STRIPE COLOR		PART NO

CUSTOMER SERVICE SYSTEMS		MAX RECOMMENDED OPERATING TEMPERATURE: 105°C[221°F] MAX	THIS DRAWING IS A CONTROLLED DOCUMENT.		DWN JR RUTH 13JAN10	 TE Connectivity				
FOR ADDITIONAL PRODUCT INFORMATION OR COPIES OF DRAWINGS AND TECHNICAL DOCUMENTS	PRODUCT INFORMATION CENTER 1-800-522-6752	VOLTAGE RATING: 300 V MAX	DIMENSIONS: mm [INCHES]	TOLERANCES UNLESS OTHERWISE SPECIFIED: 0 PLC ± - 1 PLC ± - 2 PLC ± - 3 PLC ± 0.127[.005] 4 PLC ± - ANGLES ± -	CHK T MICHIELUTTI 13JAN10			NAME TERMINAL, RING TONGUE, PIDG, INSULATION RESTRICTING, WIRE SIZE: 22, 20 & 18 AWG		
FOR APPLICATION TOOLING INFORMATION	TOOLING ASSISTANCE CENTER 1-800-722-1111	WIRE RANGE: CIRC MIL AREA: 22 0.38mm² [754] 20 0.60mm² [1,186] 18 0.90mm² [1,900] STRANDED		FINISH 	APVD T MICHIELUTTI 13JAN10	APPLICATION SPEC 114-2157	SIZE A3	CAGE CODE 00779	DRAWING NO C=52273	RESTRICTED TO -
FOR ORDER ENTRY	1-800-526-5142		MATERIAL 		WEIGHT -	CUSTOMER DRAWING	SCALE 5:1	SHEET 1 of 1	REV P	