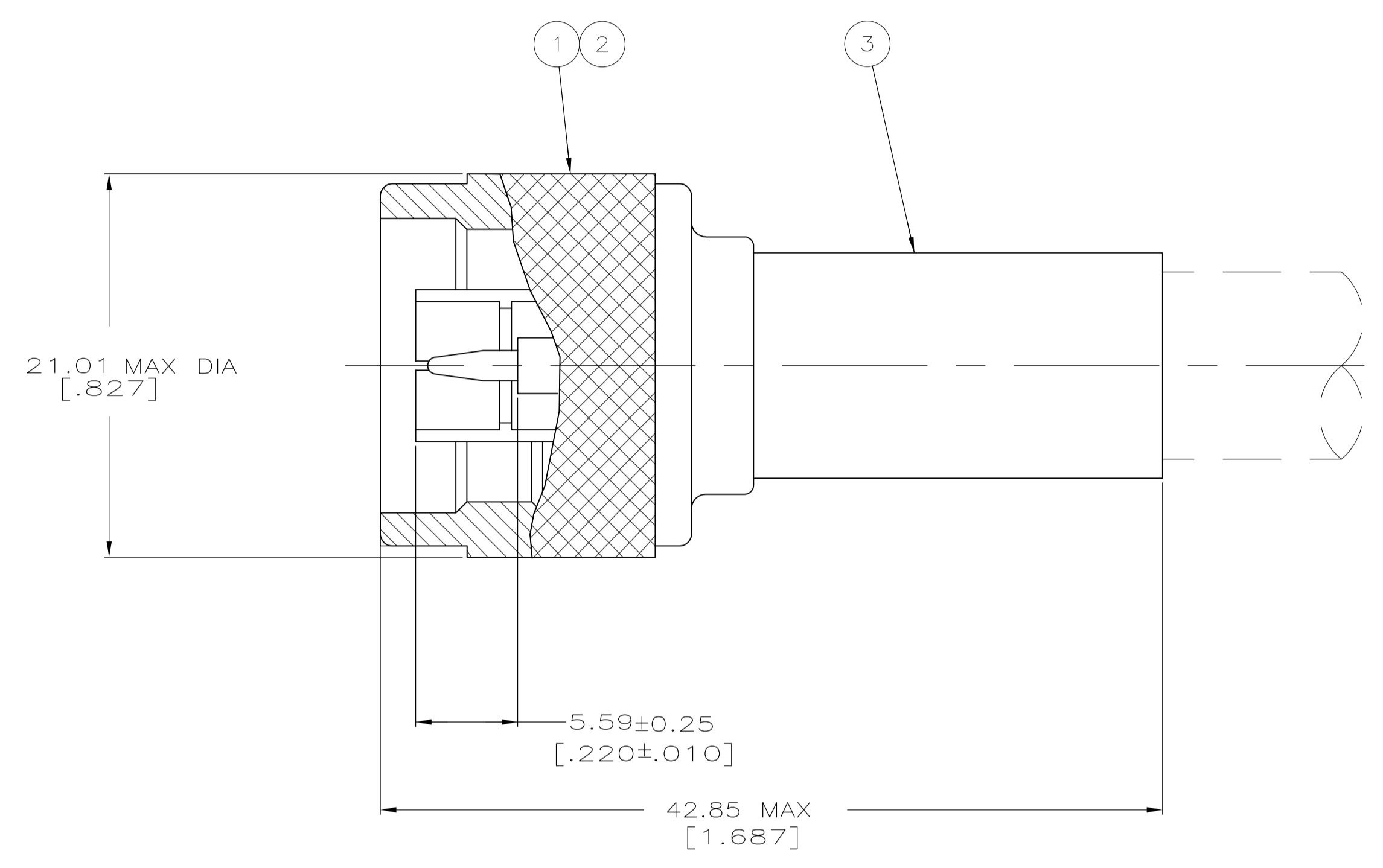
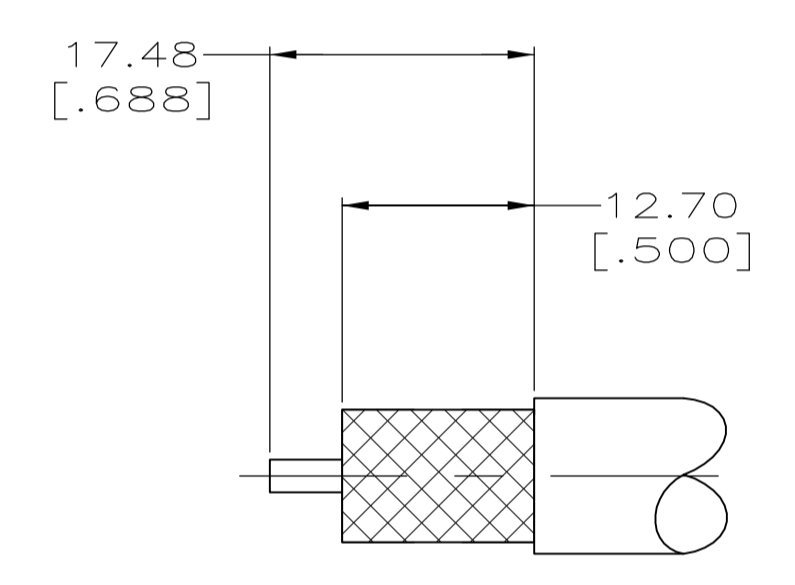


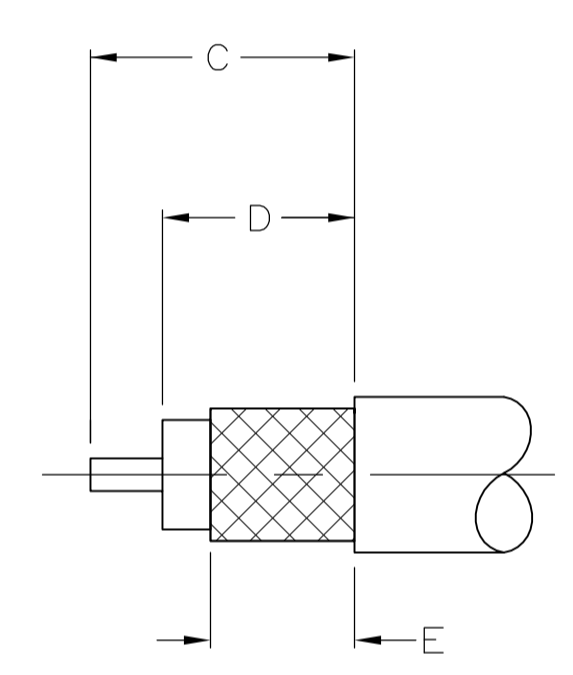
REVISIONS					
REV	DATE	DESCRIPTION	DATE	BY	APPV
A	08AUG2017	REVISED PER ECR-17-009545		AS	RS
O1	31OCT09	REVISED PER ECO-09-024606		KK	AEG



- 1. SEE I.S. 2028-1
- 2. SEE SEPERATE RESTRICTED CUSTOMER DRAWING
- 3. OBSOLETE PARTS: OBSOLETE CIS STREAMLINING PER D.RENAUD/D.SINISI



DETAIL A
SCALE 2:1



DETAIL B
SCALE 2:1

RECOMMENDED STRIP LENGTH

REMARKS	CABLE	CRIMPING TOOL	E	D	C	DETAIL	3 FERRULE QTY=1	2 CONTACT QTY=1	1 PLUG ASSY QTY=1	PART NUMBER
OBsolete										1-5225661-8
OBsolete	BELDEN 8214	220015-1	9.53 [.375]	12.70 [.500]	17.45 [.687]	B	9-51713-0	1-51695-2	51701-6	1-5225661-6
	RG-55A & 223	220045-2	8.71 [.343]	10.31 [.406]	15.09 [.594]	B	9-225382-0	225343-2	225342-3	1-5225661-3
	RG-58A/U & 58C/U	220045-2	8.71 [.343]	10.31 [.406]	15.09 [.594]	B	9-225381-0	225343-2	225342-3	1-5225661-2
OBsolete	RG-213/U	220015-1	9.53 [.375]	12.70 [.500]	17.45 [.687]	B	9-51713-0	2-51695-1	51701-6	-5225661-2
	RG-9/U & 214/U	220015-1	-	-	-	A	9-51713-0	2-51695-1	51701-6	5225661-1

THIS DRAWING IS A CONTROLLED DOCUMENT.

DIMENSIONS: mm [INCHES]	TOLERANCES UNLESS OTHERWISE SPECIFIED:	DRAWN: A. FERNANDEZ-DUCKS	DATE: 31JAN2005
0. PLC ± -	1. PLC ± -	CHK: J. HAVENER	DATE: 31JAN2005
2. PLC ± 0.41 [016]	3. PLC ± -	APPROV: G. MICHAEL	DATE: 31JAN2005
4. PLC ± -	ANGLES ± -	NAME: MICHAEL	

STE TE Connectivity

PLUG, SERIES N

MATERIAL: -	FINISH: -	WEIGHT: 0.000000	SIZE: A1	CAGE CODE: 00779	DRAWING NO: C=5225661	RESTRICTED TO: -
CUSTOMER DRAWING			SCALE: 4:1	SHEET: 1 of 1	REV: A	