

THIS DRAWING IS UNPUBLISHED.

RELEASED FOR PUBLICATION

ALL RIGHTS RESERVED.

© COPYRIGHT - TE Connectivity Ltd.

REVISIONS

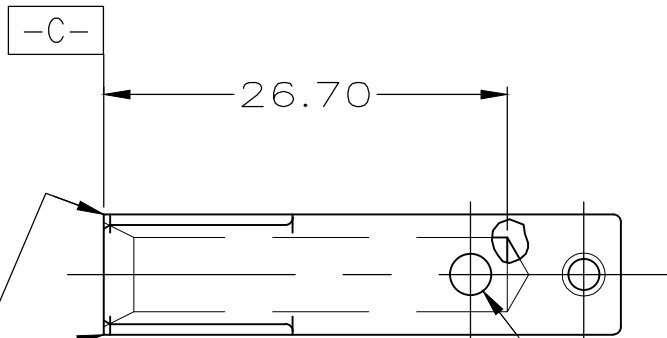
P	LTR	DESCRIPTION	DATE	DWN	APVD
	A4	REV PER ECR-20-004277 TO EOL -3	05MAY2020	ML	SZ

R0.50 MAX PERMITTED ON ALL CORNERS EXCEPT WHERE SHOWN

$\phi 7.40 \pm 0.08$
 $\phi \phi 0.10 \text{ (M) D (M)}$

$\phi 5.40 \pm 0.08$
 $\phi \phi 0.10 \text{ (M) C A B (S)}$
 -D-

NO BREAKOUT PERMITTED



9.70 ± 0.08

-A-

5.50

15.00

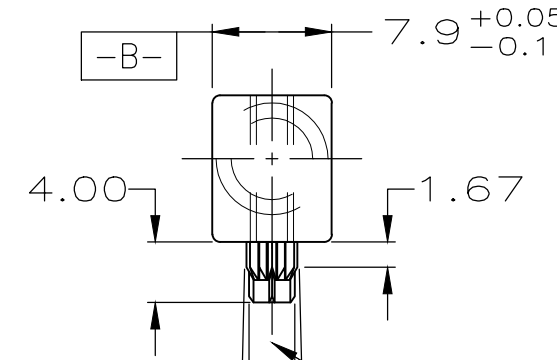
16.75

7.50

34.20

2.82 REF

- 1 MATERIAL: ZINC ALLOY DIE CASTING, ZAMAK 3.
- 2 SURFACE FINISH: CHROMATE CONVERSION COATING. (ROHS COMPATIBLE).



$\phi 3.375 \pm 0.08$
 $\phi \phi 0.10 \text{ (S) A B (S) C}$

THREAD TYPE
 $\phi \phi 0.10 \text{ (S) A B (S) C}$

3.95 REF

$\phi 3.175 \pm 0.08$
 DRILLED HOLE
 3 PLC

$\phi \phi 0.15 \text{ (M) X Y}$
 $\phi \phi 0.08 \text{ (M)}$

7.50

15.00

5.75

11.00

-X-

-Y-

XXX

FOOTPRINT

REMARK	THREAD TYPE	PART NUMBER
EOL GUIDE SOCKET MODULE SAME AS -1 DIFFERENT TRAY FOR 11.5mm GRIPPER	#4-40 UNC-2B	5223979-3
--	M3	5223979-2
--	#4-40 UNC-2B	5223979-1

THIS DRAWING IS A CONTROLLED DOCUMENT.		DWN J. POLIGNONE 05APR05		TE Connectivity	
DIMENSIONS: mm		CHK R. PATTERSON 05APR05			
TOLERANCES UNLESS OTHERWISE SPECIFIED:		APVD R. PATTERSON 05APR05		NAME	
0 PLC ± - 1 PLC ± 0.3 2 PLC ± 0.13 3 PLC ± 0.100 4 PLC ± - ANGLES ± 4°		PRODUCT SPEC		MODULE, FEMALE GUIDE, UNIVERSAL POWER MODULE	
MATERIAL		WEIGHT -		RESTRICTED TO	
FINISH		CUSTOMER DRAWING		SCALE 2:1 SHEET 1 OF 1 REV A4	