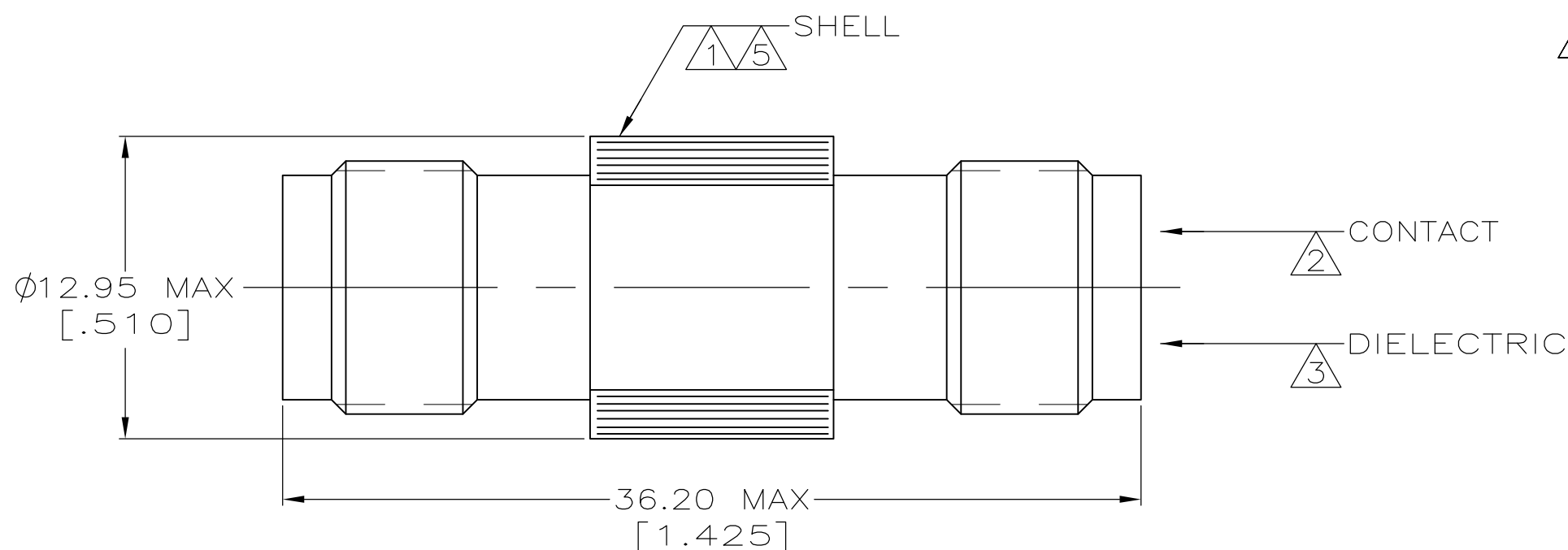


THIS DRAWING IS UNPUBLISHED. RELEASED FOR PUBLICATION
 © COPYRIGHT BY TYCO ELECTRONICS CORPORATION. ALL RIGHTS RESERVED.

LOC	DIST	REVISIONS					
AJ	16	P	LTR	DESCRIPTION	DATE	DWN	APVD
			A	RELEASED PER ECO-09-018896	23AUG2009	KF	KW

- ① ZINC PER QQ-Z-363
- ② PHOSPHOR BRONZE PER QQ-B-750
- ③ POLYPROYLENE PER L-P-394, TYPE I
- ④ GOLD PLATE PER MIL-G-45204, 1.27μm [.000050] MIN THICKNESS
- ⑤ NICKEL PLATE PER QQ-N-290, 3.81μm [.000150] MIN THICKNESS



④	5221325-1
CONTACT FINISH	PART NUMBER

THIS DRAWING IS A CONTROLLED DOCUMENT.		DWN J. ALCORTA - 19APR2005 DOCK5	Tyco Electronics Corporation Harrisburg, Pa 17105-3608	
DIMENSIONS: mm [INCHES]		CHK J. HAVENER 19APR2005	NAME ADAPTOR, JACK, TNC	
TOLERANCES UNLESS OTHERWISE SPECIFIED:		APVD J. LIPPERT 19APR2005	RESTRICTED TO	
0 PLC ± - 1 PLC ± - 2 PLC ± - 3 PLC ± - 4 PLC ± - ANGLES ± -		PRODUCT SPEC -	SIZE A3	CAGE CODE 00779
MATERIAL ① ② ③		APPLICATION SPEC -	DRAWING NO C-5221325	
FINISH ④ ⑤		WEIGHT -	CUSTOMER DRAWING	
		SCALE 4:1	SHEET 1 OF 1	REV A