

THIS DRAWING IS UNPUBLISHED.

RELEASED FOR PUBLICATION

20

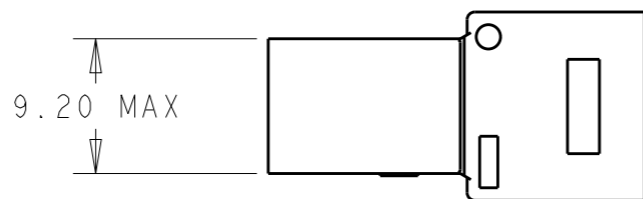
© COPYRIGHT 20 BY -

ALL RIGHTS RESERVED.

LOC AF DIST 50

REVISIONS

P	LTR	DESCRIPTION	DATE	DWN	APVD
	5	REVISED	18MAR13	JR	DMK

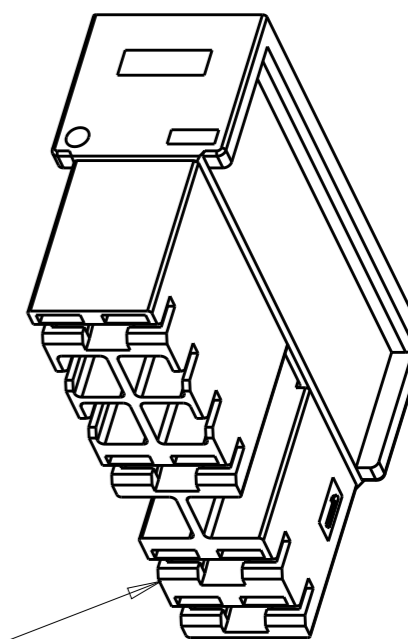
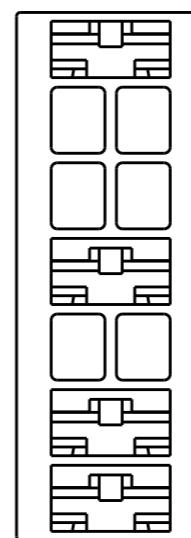
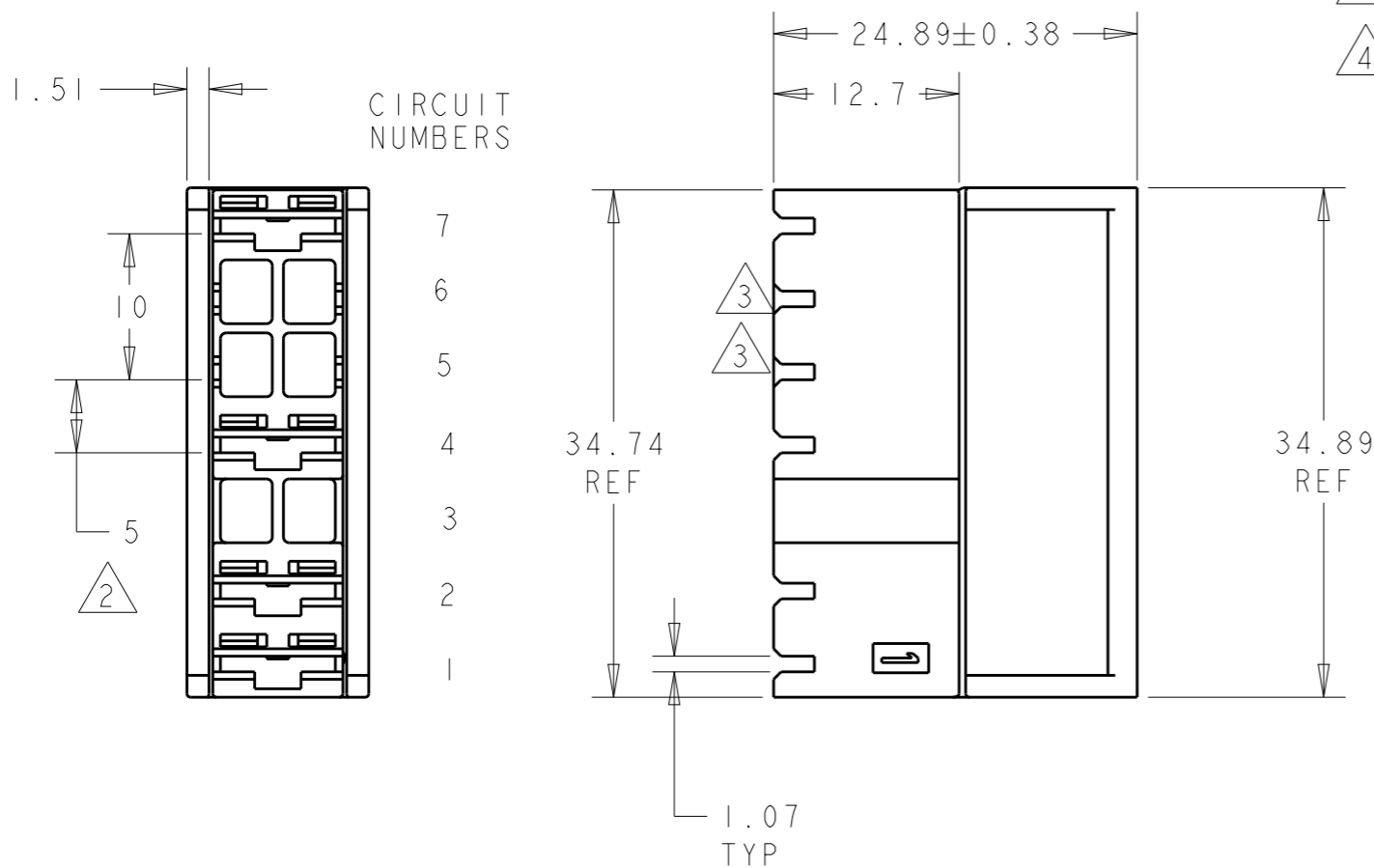


1 ACCEPTS RECEPTACLE CONTACTS 1217378 (#18-#22 AWG SINGLE WIRE), 1217094 (18-14 AWG SINGLE WIRE) OR 1217095 (TWO #18'S, TWO #16'S OR AND 18 + 16 COMBINATION).

2 CIRCUIT CENTERLINES 5.00

3 RELIEF SLOTS ARE OPTIONAL FOR BLOCKED CIRCUITS

4 PRELIMINARY - NOT FOR PRODUCTION



VISUAL IDENTIFICATION DISTINCTION

3, 5, 6	RED	NYLON 66	4 521978-2
3, 5, 6	RED	6/66 NYLON	4 521978-1
BLOCKED CIRCUITS	COLOR	MATERIAL	PART NO.

THIS DRAWING IS A CONTROLLED DOCUMENT.

DWN JR RUTH 21NOV06

CHK RAY LONDON 21NOV06

APVD RAY LONDON 21NOV06

PRODUCT SPEC -

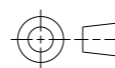
APPLICATION SPEC -

WEIGHT -

CUSTOMER DRAWING

DIMENSIONS:

mm



TOLERANCES UNLESS OTHERWISE SPECIFIED:

0 PLC	±
1 PLC	±0.5
2 PLC	±0.25
3 PLC	±0.013
4 PLC	±0.0001
ANGLES	±

MATERIAL SEE TABLE

FINISH SEE TABLE



TE Connectivity

NAME HOUSING, RECEPTACLE, POSITIVE-LOCK MKIII, 6.35 SERIES, 7 POSITION, 4 CIRCUIT

SIZE CAGE CODE DRAWING NO RESTRICTED TO

A300779 C-521978

SCALE 2:1 SHEET 1 OF 1 REV 5