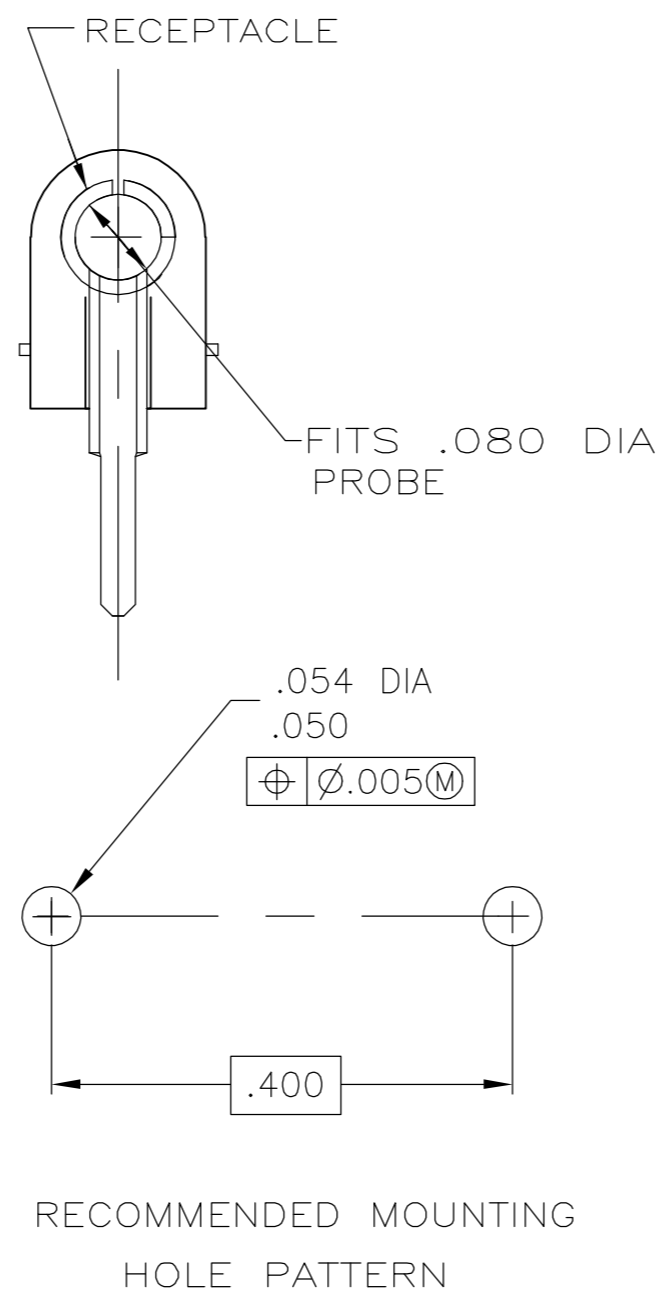
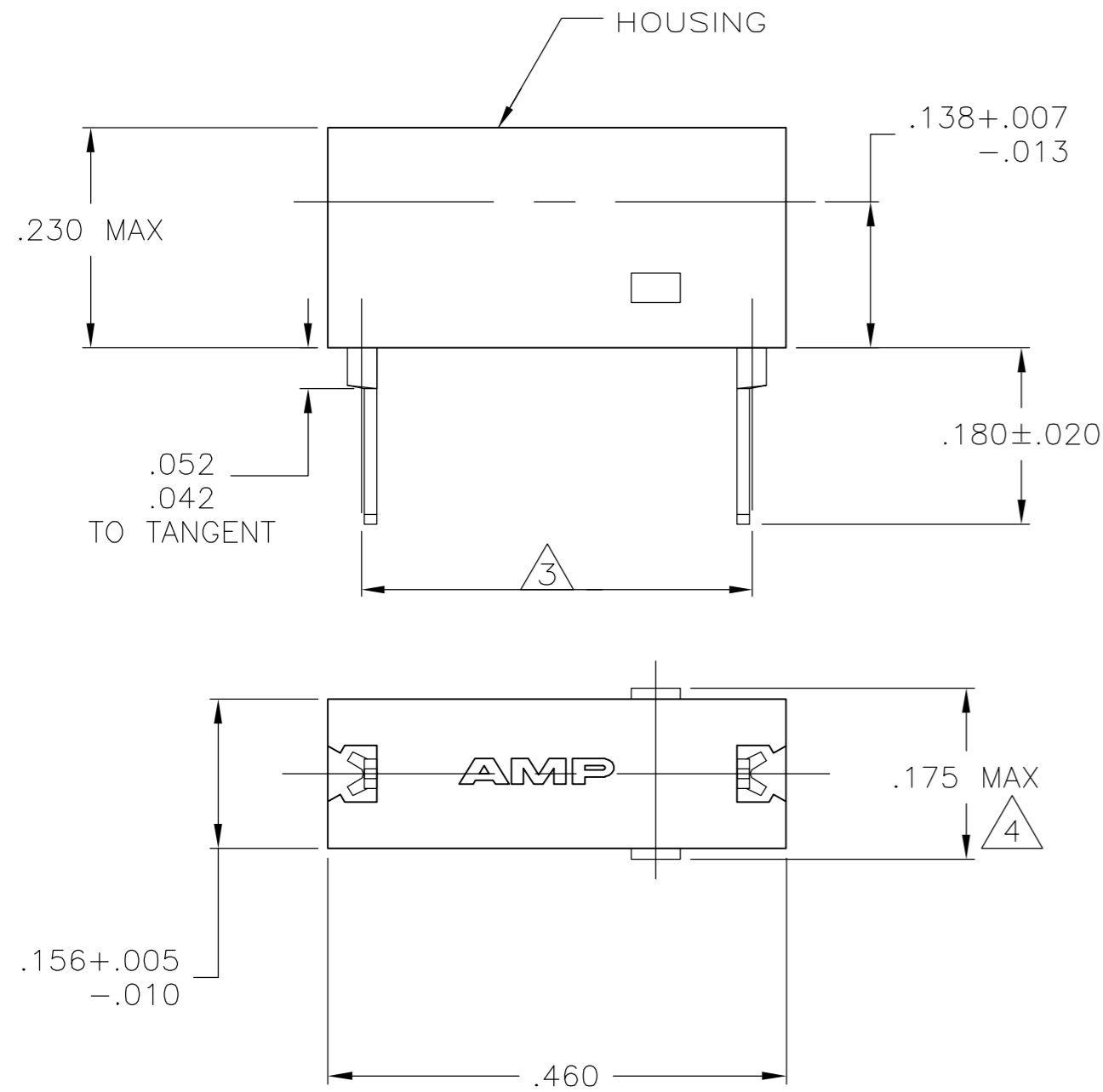


THIS DRAWING IS UNPUBLISHED. RELEASED FOR PUBLICATION
 © COPYRIGHT BY TYCO ELECTRONICS CORPORATION. ALL RIGHTS RESERVED.

LOC	DIST	REVISIONS			
P	LTR	DESCRIPTION	DATE	DWN	APVD
AF	50	A	DRAWN	21JUL05	JR EH



- 1 OPERATION TEMPERATURE IS 105° C MAX.
 - 2 RETENTION FORCE - 16 OUNCES MIN INITIALLY. 6 OUNCES MIN AFTER 500 CYCLES.
 - 3 REFER TO MOUNTING HOLE PATTERN.
- △ .175 MAX TO BE MEASURED ACROSS THE CUT-OFF TABS.

NYLON 6/6; GREEN		BRASS - TIN / NICKEL		3-521801-5	
HOUSING - MATERIAL; COLOR		RECEPTACLE - MATERIAL; FINISH		PART NUMBER	
THIS DRAWING IS A CONTROLLED DOCUMENT.		DWN JR RUTH 21JUL05	Tyco Electronics Corporation Harrisburg, Pa 17105-3608		
DIMENSIONS: mm [INCHES]		CHK E. HOWARD 21JUL05	NAME ASSEMBLY, TEST PROBE		
TOLERANCES UNLESS OTHERWISE SPECIFIED:		APVD E. HOWARD 21JUL05	PRODUCT SPEC		
0 PLC ± - 1 PLC ± - 2 PLC ± .015 3 PLC ± - 4 PLC ± - ANGLES ± - FINISH		APPLICATION SPEC		SIZE A2	CAGE CODE 00779
MATERIAL SEE TABLE		WEIGHT -		DRAWING NO C=521801	
SEE TABLE		CUSTOMER DRAWING		SCALE 6:1	SHEET 1 OF 1 REV A