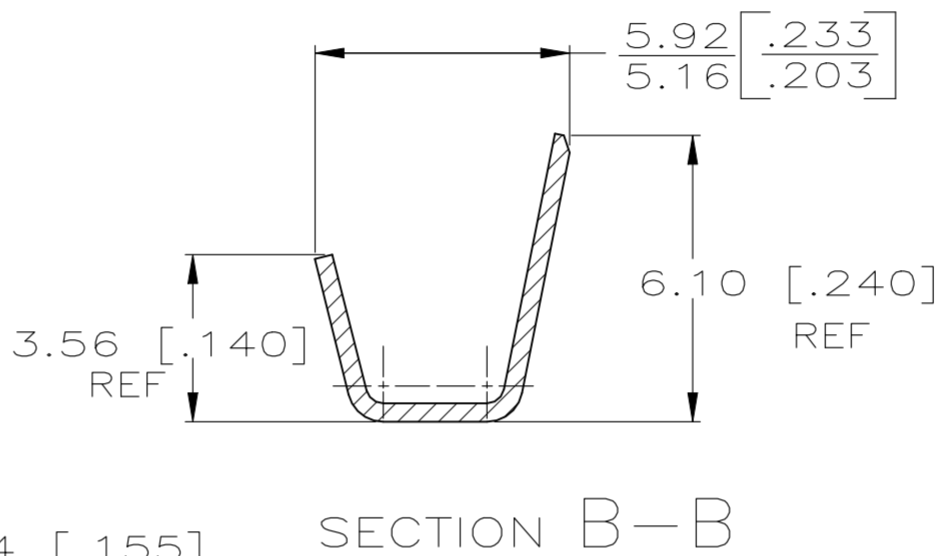
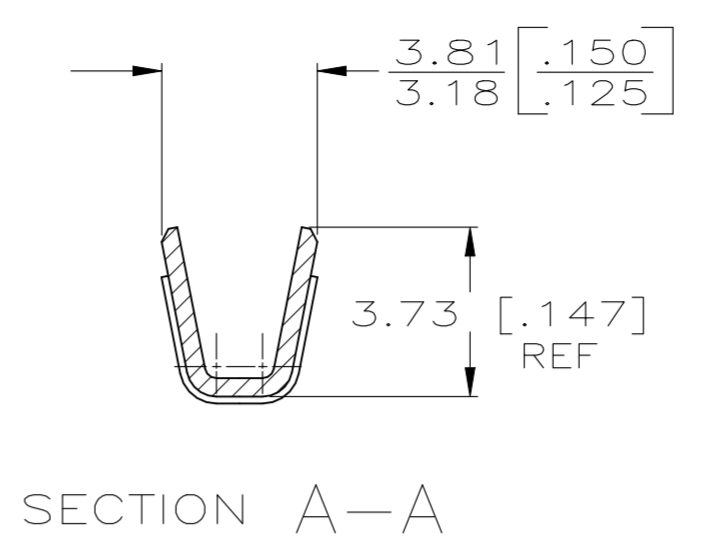
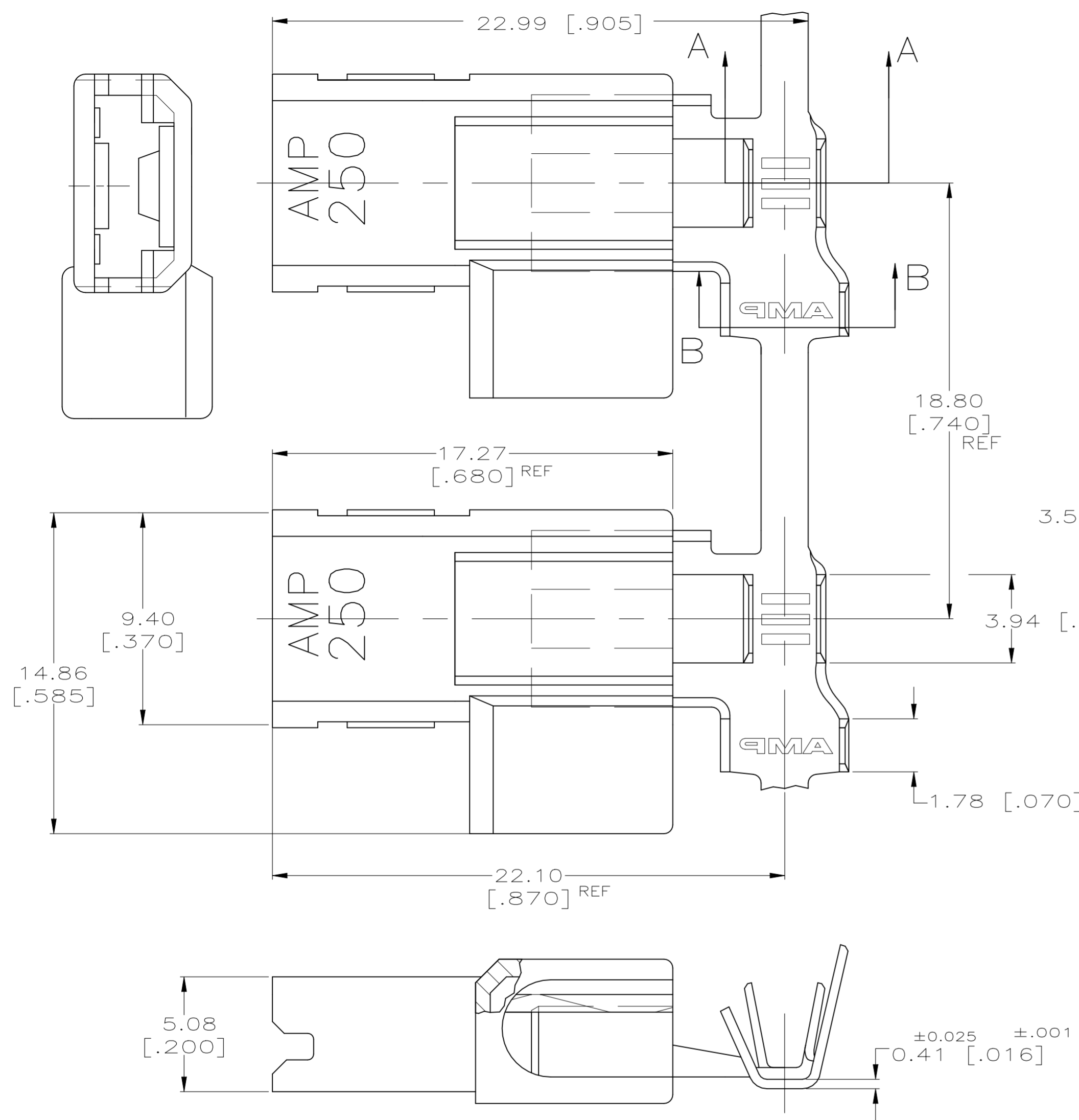
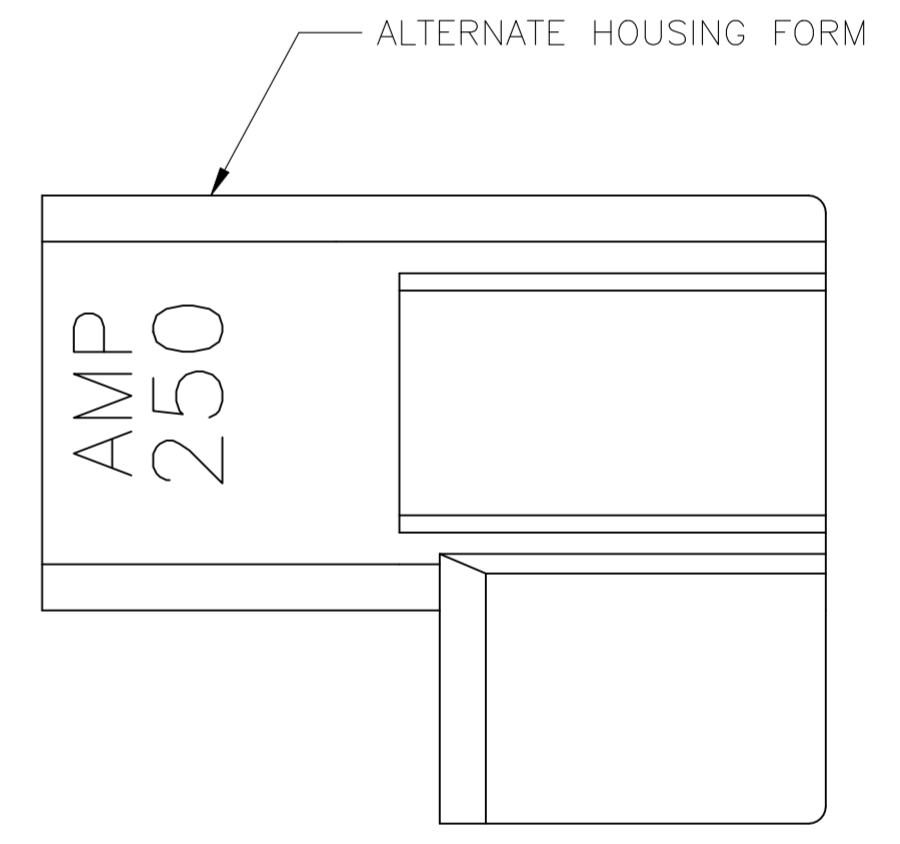


THIS DRAWING IS UNPUBLISHED. RELEASED FOR PUBLICATION
 © COPYRIGHT - TE Connectivity Ltd. ALL RIGHTS RESERVED.

REVISIONS					
P	LTR	DESCRIPTION	DATE	DWN	APVD
E4		REVISED PER ECR-22-159732	06DEC2022	DB	BW



- 1 BUDGET FLAG FASTON TERMINALS, BASE P/N 63559, ARE USED IN THIS PRODUCT.
- 2 WIRE SIZE [#18-#14] AWG.
- 3 INSULATION RANGE IS 2.79-4.06[.110-.160] DIA.
- 4 PRELIMINARY - NOT FOR PRODUCTION
- 5 OFFERED FOR CONSIDERATION IN APPLICATIONS REQUIRING "NON-DRIP" HOUSING MATERIAL.
- 6 NOTE DELETED



—	NYLON, UL94 V-0 GWIT 960°C	TIN PLATED - 4M BRASS	521716-4
—	—	PLAIN 4M BRASS	521716-3
SUPERSEDED BY 521716-4	—STANDARD	TIN PLATED - 4M BRASS	521716-2
SUPERSEDED BY 521716-4	—STANDARD	PLAIN - 4M BRASS	521716-1

PACKAGING	HOUSING MATERIAL	TERMINAL FINISH - MATERIAL	PART NO
THIS DRAWING IS A CONTROLLED DOCUMENT.		TE Connectivity Ltd.	
DIMENSIONS: mm [INCHES] TOLERANCES UNLESS OTHERWISE SPECIFIED: 0 PLC ± - 1 PLC ± - 2 PLC ± - 3 PLC ± 0.25 [.010] 4 PLC ± - ANGLES ± -		NAME: ASSEMBLY, RECEPTACLE, FLAG, ULTRA-POD, 6.35 [.250] SERIES SIZE: A2 CAGE CODE: 00779 DRAWING NO: C=521716	
MATERIAL: SEE TABLE	FINISH: SEE TABLE	WEIGHT: -	RESTRICTED TO: -
CUSTOMER DRAWING		SCALE: 6:1	SHEET: 1 OF 1 REV: E4