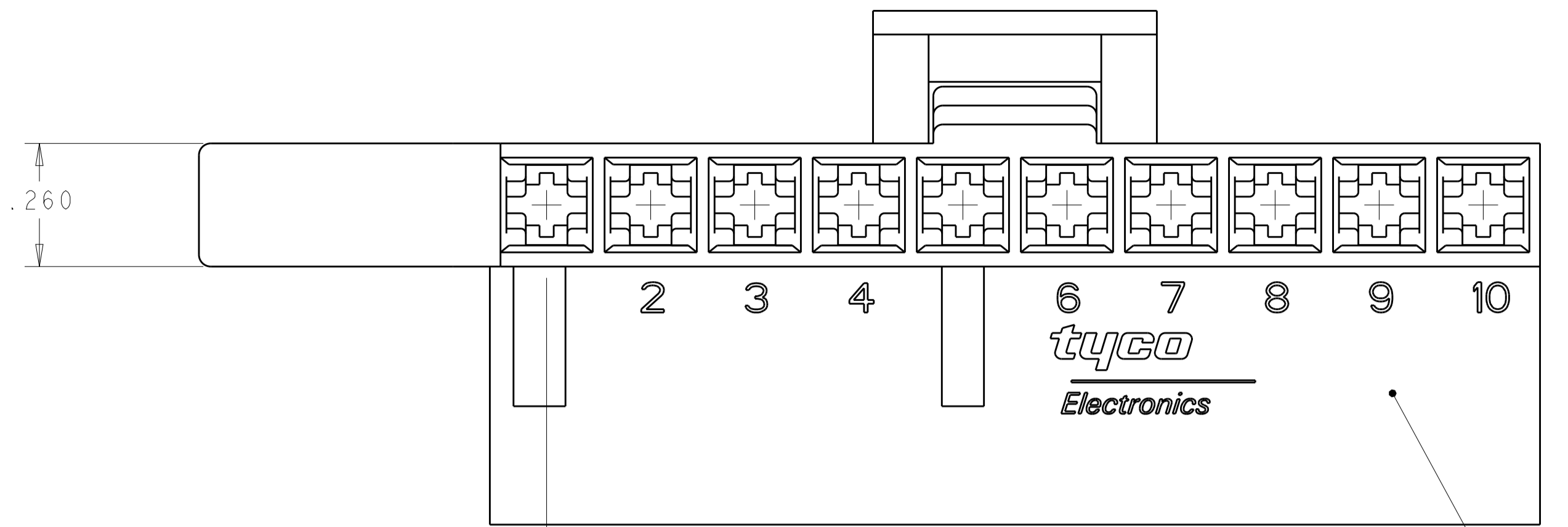
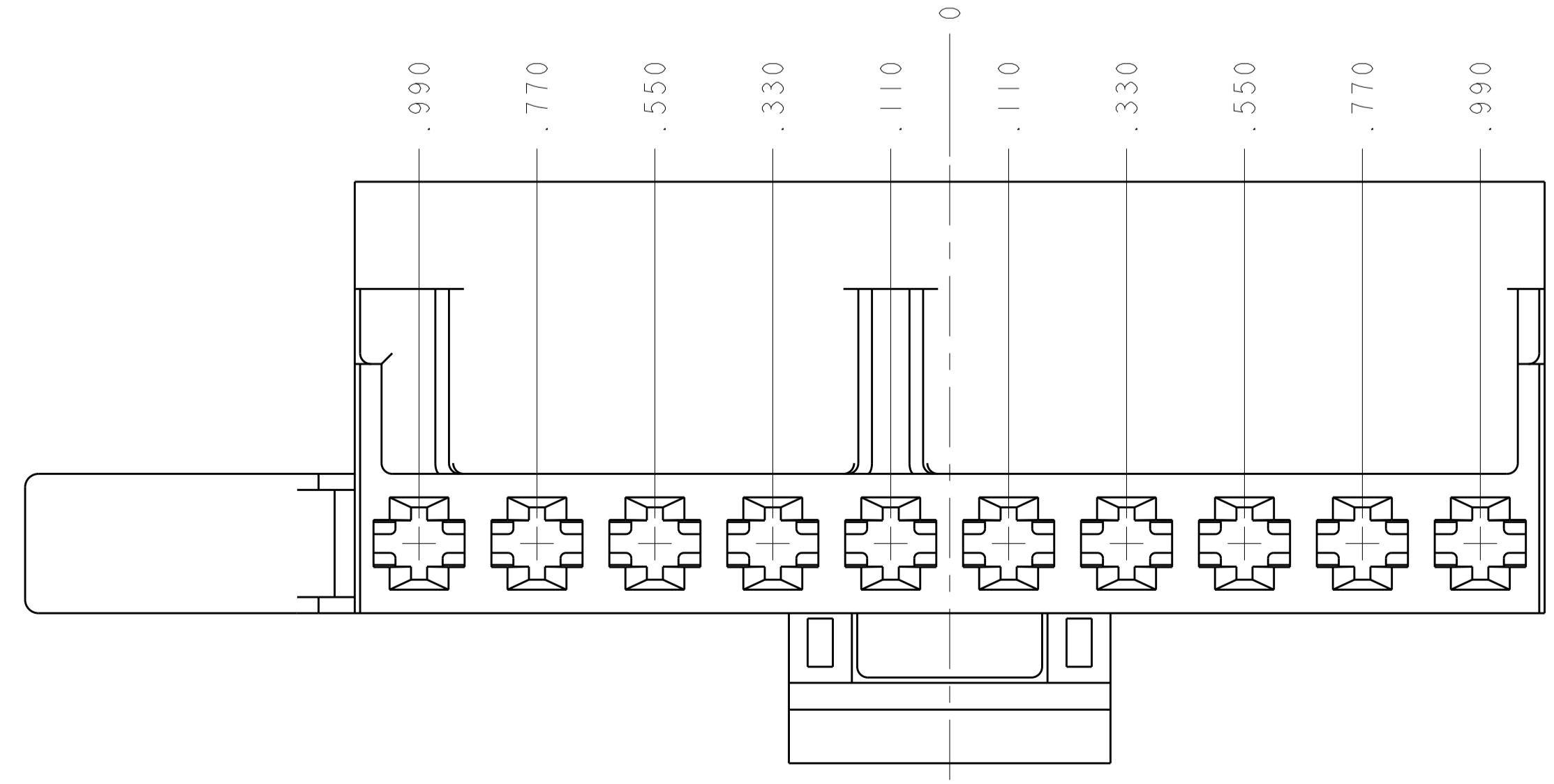
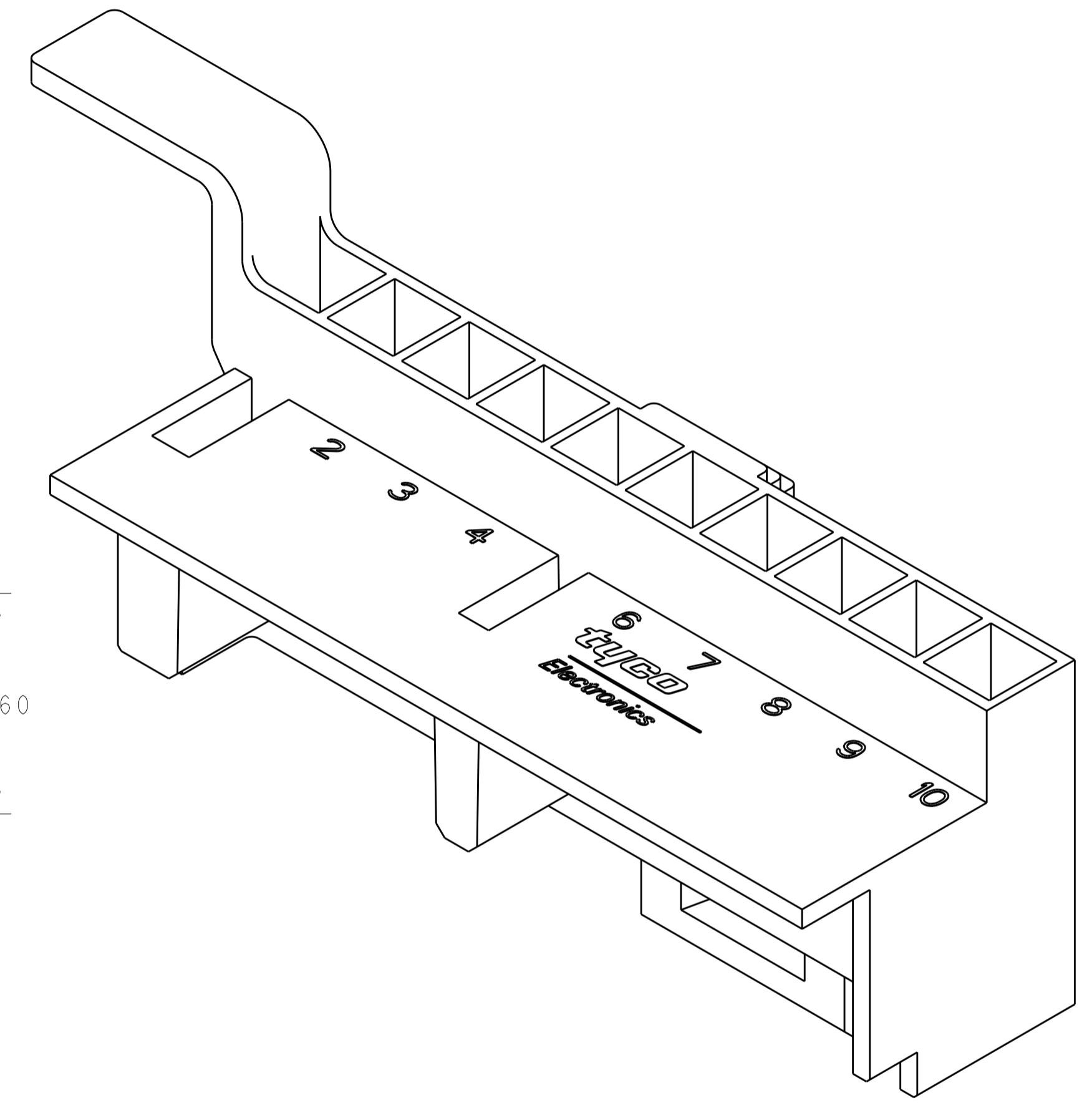
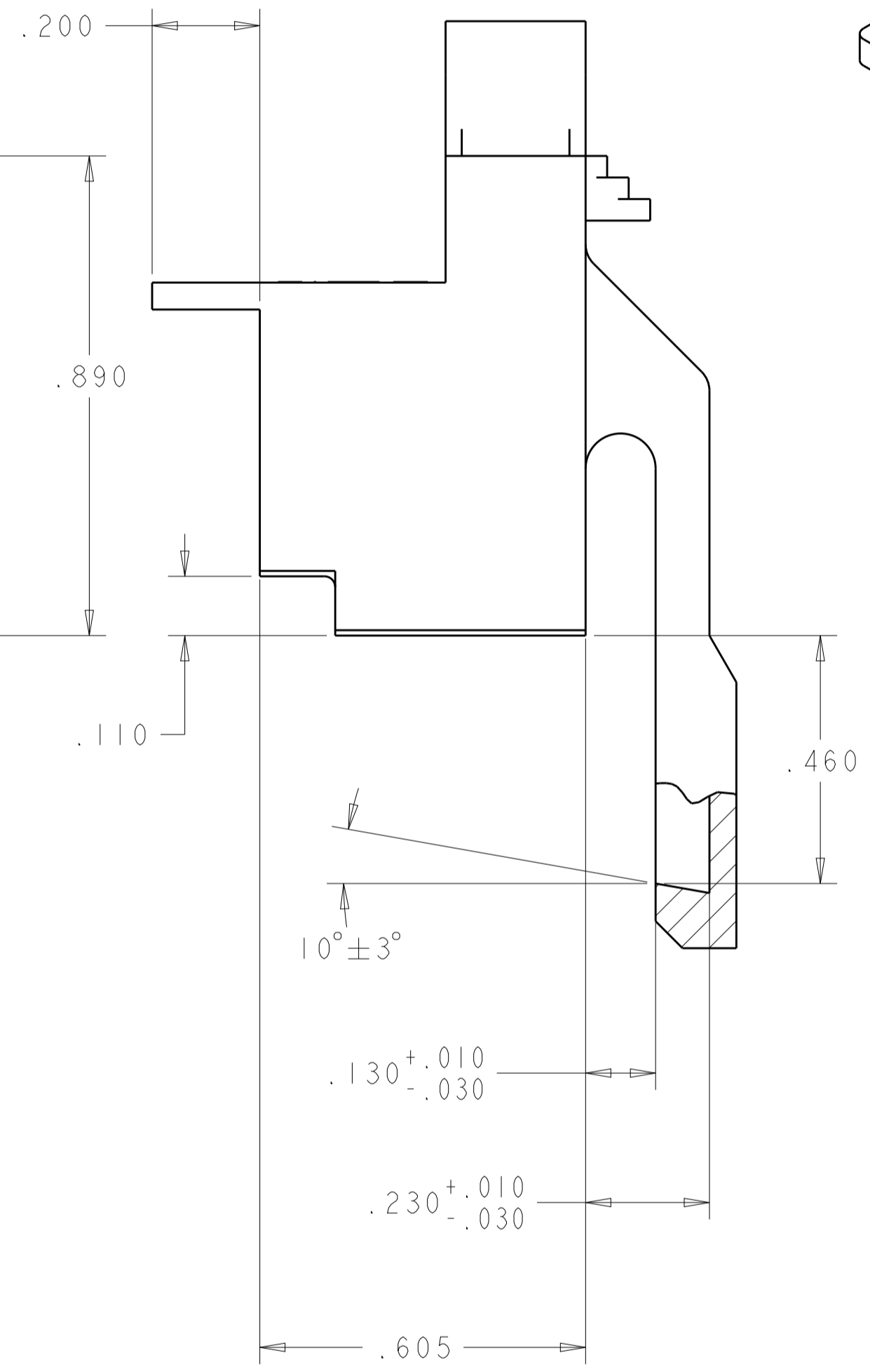
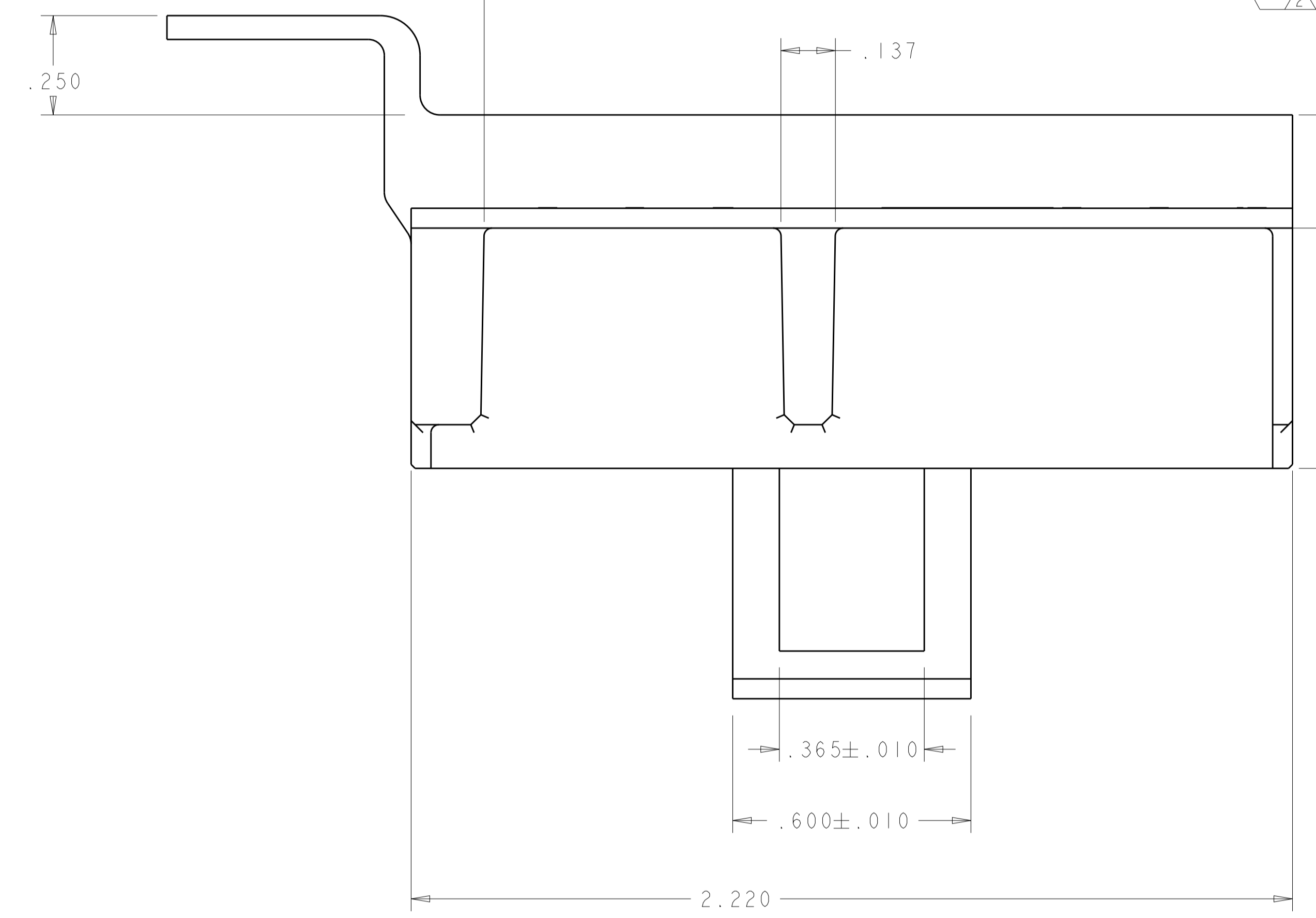


LOC		DIST		REVISIONS			
P	LTN	DESCRIPTION	DATE	DWN	APVD		
P		REVISED PER ECR-12-004046	06MAR2012	KH	GJ		
P1		REVISED PER ECR-18-002453	07MAR2018	BDA	DS		
R		REVISED PER ECR-18-008168	04JUL2018	MD	TD		



1 HOUSING ACCEPTS (10) .125 BLADE RECEPTACLES, TYCO P/N 1217039-1
 2 DFE SYMBOL, SEE TABLE, LOCATED APPROXIMATELY AS SHOWN.



DFE SYMBOL	COLOR	MATERIAL	PART NUMBER
>PA<	NATURAL	NYLON 66 UL94, V0	521680-4
>PA<	BLUE	NYLON, V0	521680-5
>PA<	NATURAL	NYLON 66 UL94 V0	521680-4
>PA<	BLUE	NYLON, V2	521680-3
>PA<	BLACK	NYLON, V0	521680-2
>PA<	NATURAL	NYLON, V2	521680-1

THIS DRAWING IS A CONTROLLED DOCUMENT. DWN: R FLAIG 14OCT2003
 CHK: D DECKER 14OCT2003
 APVD: D DECKER 14OCT2003

TE TE Connectivity

NAME: MOTOR HOUSING, 10 POSITION

SIZE: A1 CAGE CODE: 521680 DRAWING NO: 100779

MATERIAL: CUSTOMER DRAWING

SCALE: 4:1 SHEET 1 OF 1 REV R