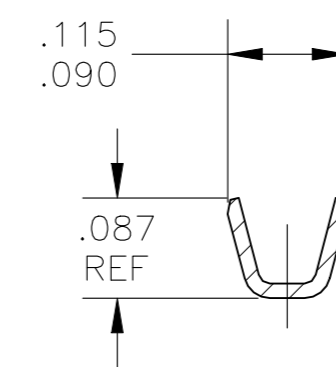
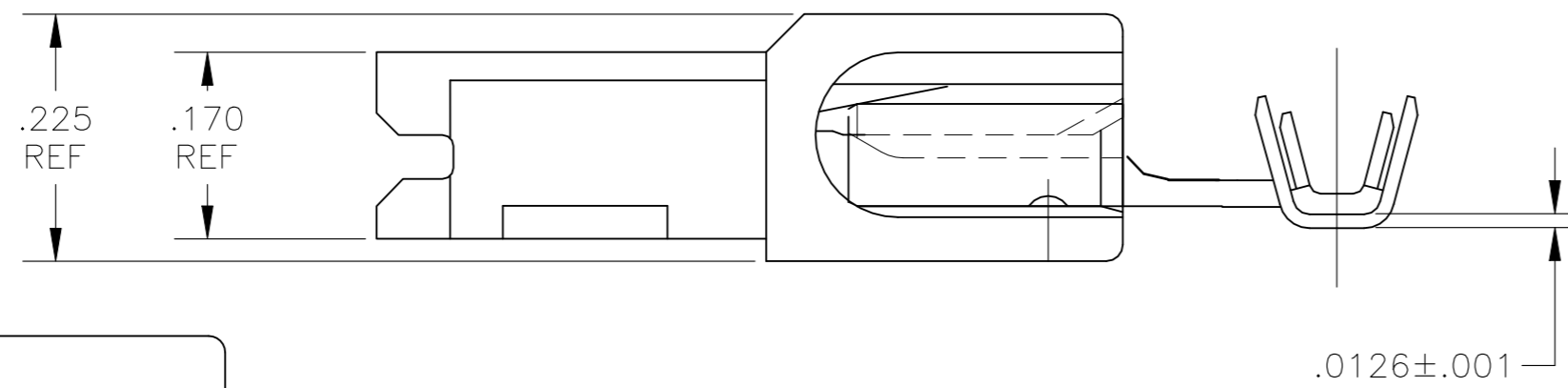
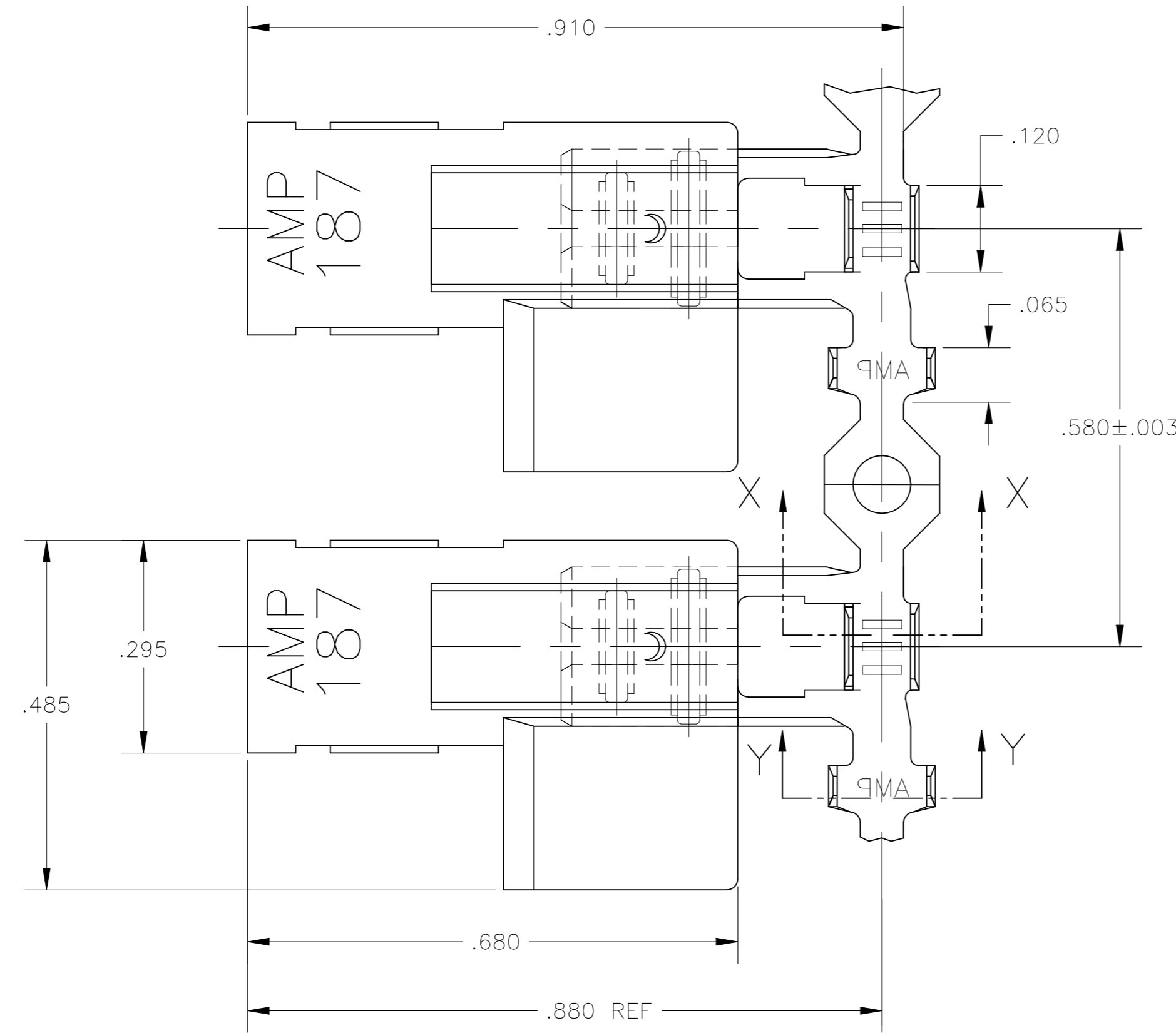
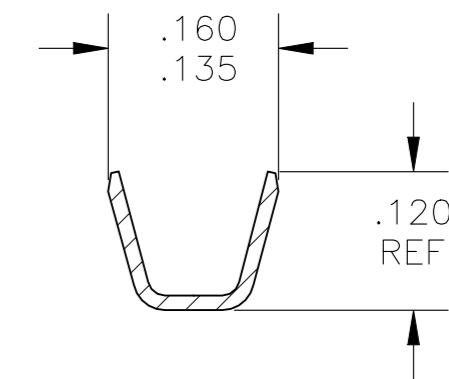


REVISIONS					
P	LTR	DESCRIPTION	DATE	DWN	APVD
E2		REVISED PER ECR-22-160893	15DEC2022	DB	BW

- 1 USE FLAG FASTON TERMINAL BASE
- 2 WIRE SIZE IS #22-#18 AWG
- 3 INSULATION RANGE IS .060-.110 DIA
- 4 MATERIAL;  
TERMINAL: BRASS, FINISH: SEE TABLE  
HOUSING: NYLON, NATURAL COLOR
- 5 FITS .187 X .032 THK FASTON TAB
- △ 6 ALTERNATIVE HOUSING FORM



SECTION X-X



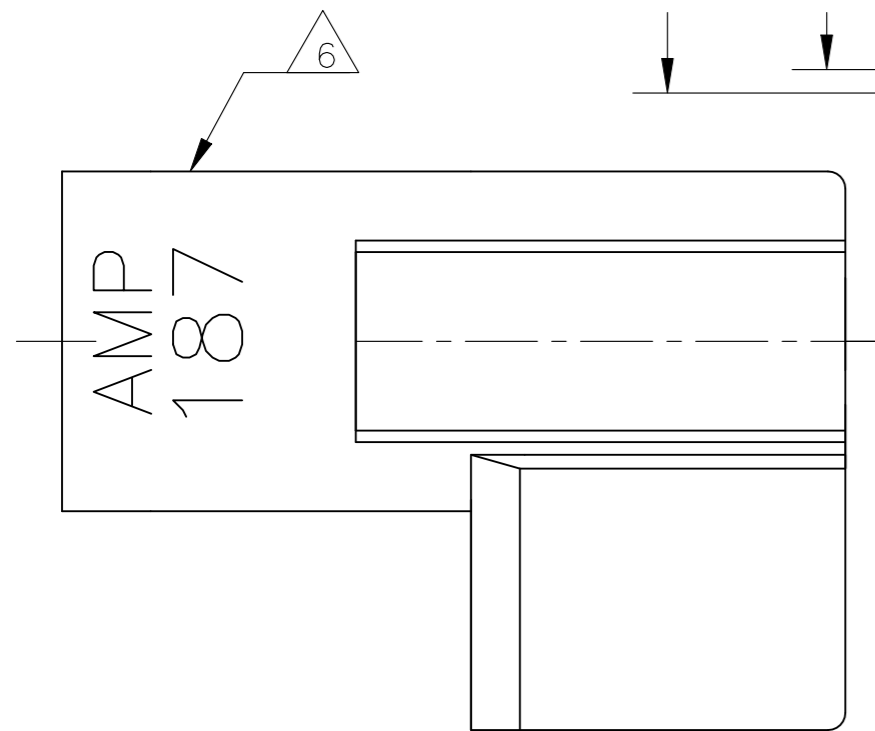
SECTION Y-Y

SUPERSEDED BY 521600-2

TIN PLATE	521600-2
NO PLATING	521600-1
TERMINAL: FINISH	PART NO.

THIS DRAWING IS A CONTROLLED DOCUMENT.		DWN	JR RUTH	30JUL03
DIMENSIONS: INCHES		CHK	J HUMMEL	24JUL03
TOLERANCES UNLESS OTHERWISE SPECIFIED:		APVD	KRISTY YI	24JUL03
0 PLC	± -	PRODUCT SPEC	NAME	
1 PLC	± -	APPLICATION SPEC	ASSEMBLY, RECPT, FLAG, ULTRA-POD, .187 SERIES	
2 PLC	± -		WIRE SIZE: 22-18 AWG	
3 PLC	± .010		SIZE	CAGE CODE
4 PLC	± -		A2	00779
ANGLES	± -	WEIGHT	DRAWING NO	
FINISH	SEE NOTES	0.000000	C=521600	
MATERIAL	SEE NOTES	CUSTOMER DRAWING	SCALE	SHEET
			6:1	1 OF 1
			REV	E2

TE Connectivity	
RESTRICTED TO	



521600