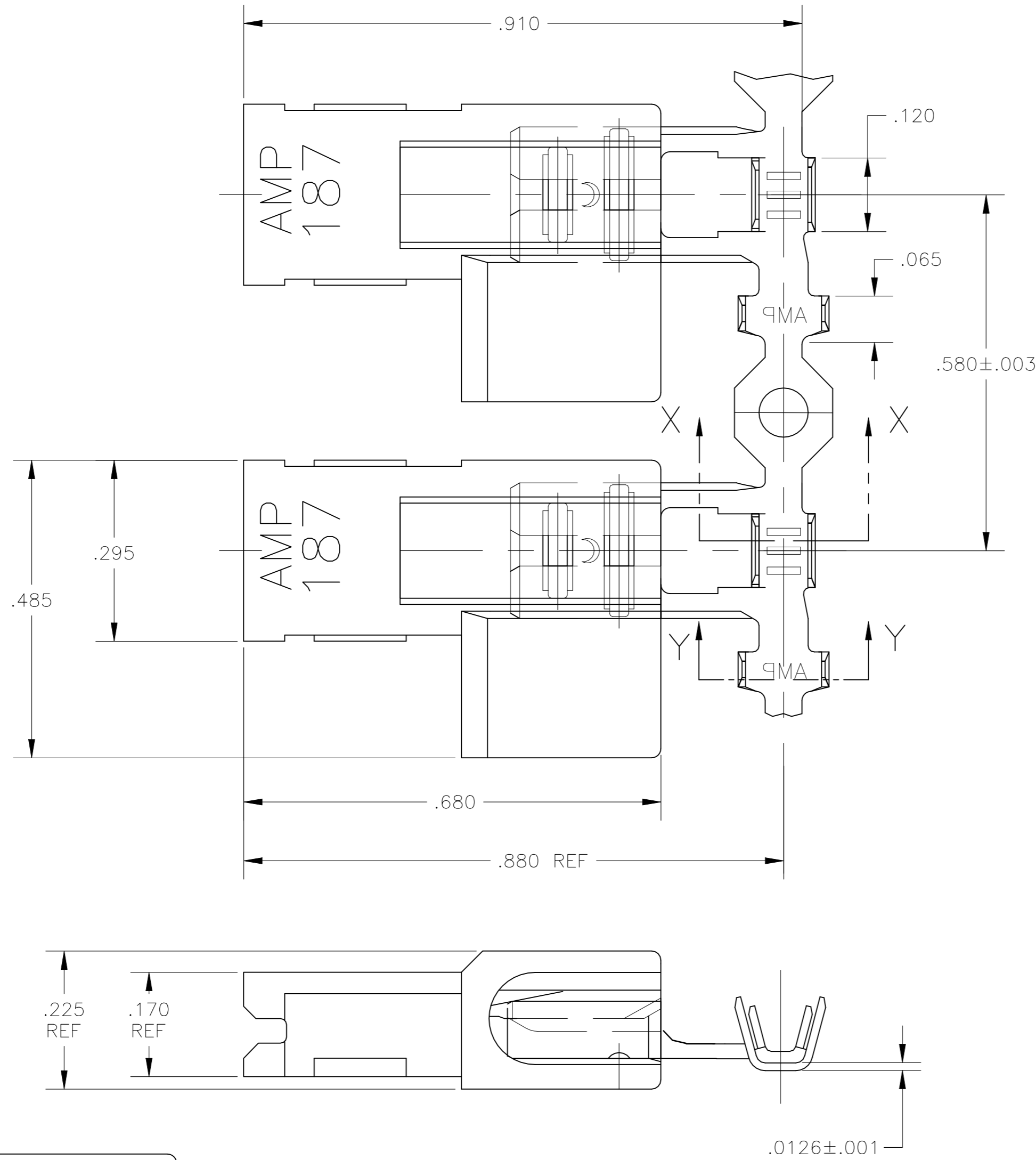
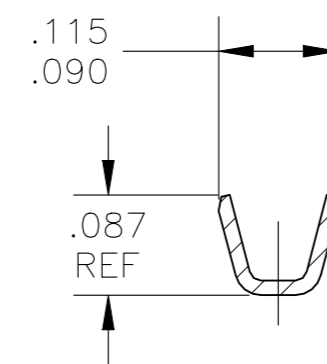


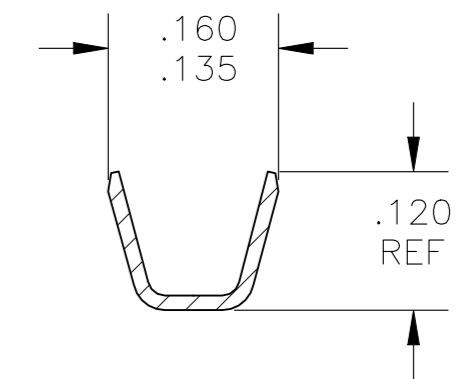
REVISIONS					
P	LTR	DESCRIPTION	DATE	DWN	APVD
F2		REVISED PER ECR-22-160893	15DEC2022	DB	BW



- 1 USE FLAG FASTON TERMINAL BASE
- 2 WIRE SIZE IS #22-#18 AWG
- 3 INSULATION RANGE IS .060-.110 DIA
- 4 MATERIAL;
TERMINAL: BRASS, FINISH: SEE TABLE
HOUSING: NYLON, NATURAL COLOR
- 5 FITS .187 X .020 THK FASTON TAB
- 6 ALTERNATIVE HOUSING FORM



SECTION X-X



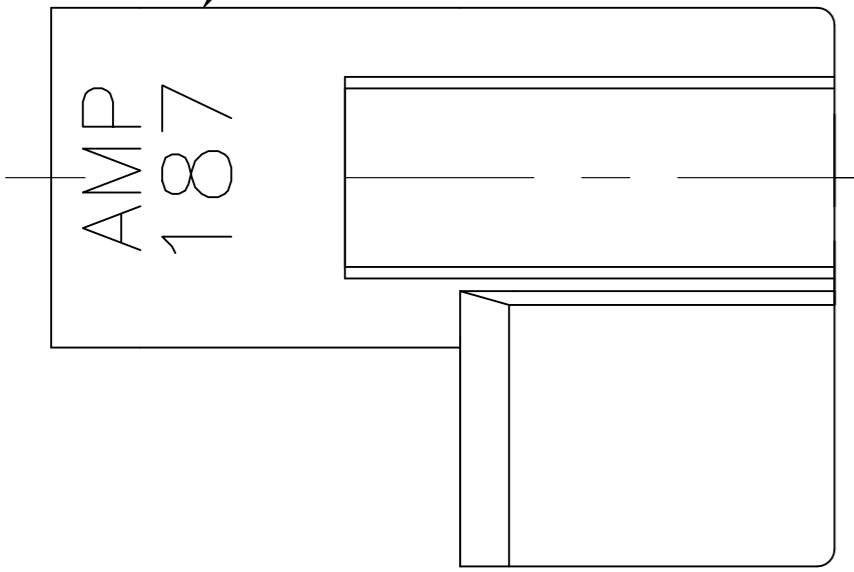
SECTION Y-Y

SUPERSEDED BY 521596-2

TIN PLATE	521596-2
NO PLATING	521596-1
TERMINAL: FINISH	PART NO.

THIS DRAWING IS A CONTROLLED DOCUMENT.		DWN	JR RUTH	30JUL03
DIMENSIONS: INCHES		CHK	J HUMMEL	24JUL03
TOLERANCES UNLESS OTHERWISE SPECIFIED:		APVD	KRISTY YI	24JUL03
0 PLC	± -	PRODUCT SPEC		
1 PLC	± -	APPLICATION SPEC		
2 PLC	± -			
3 PLC	± .010			
4 PLC	± -			
ANGLES	± -			
MATERIAL	FINISH	WEIGHT	0.000000	
SEE NOTES	SEE NOTES	CUSTOMER DRAWING	SCALE	6:1

NAME		TE Connectivity	
ASSEMBLY, RECPT, FLAG, ULTRA-POD, .187 SERIES			
WIRE SIZE: 22-18 AWG			
SIZE	A2	CAGE CODE	00779
DRAWING NO	C=521596		RESTRICTED TO
SHEET			1 OF 1
REV			F2



6