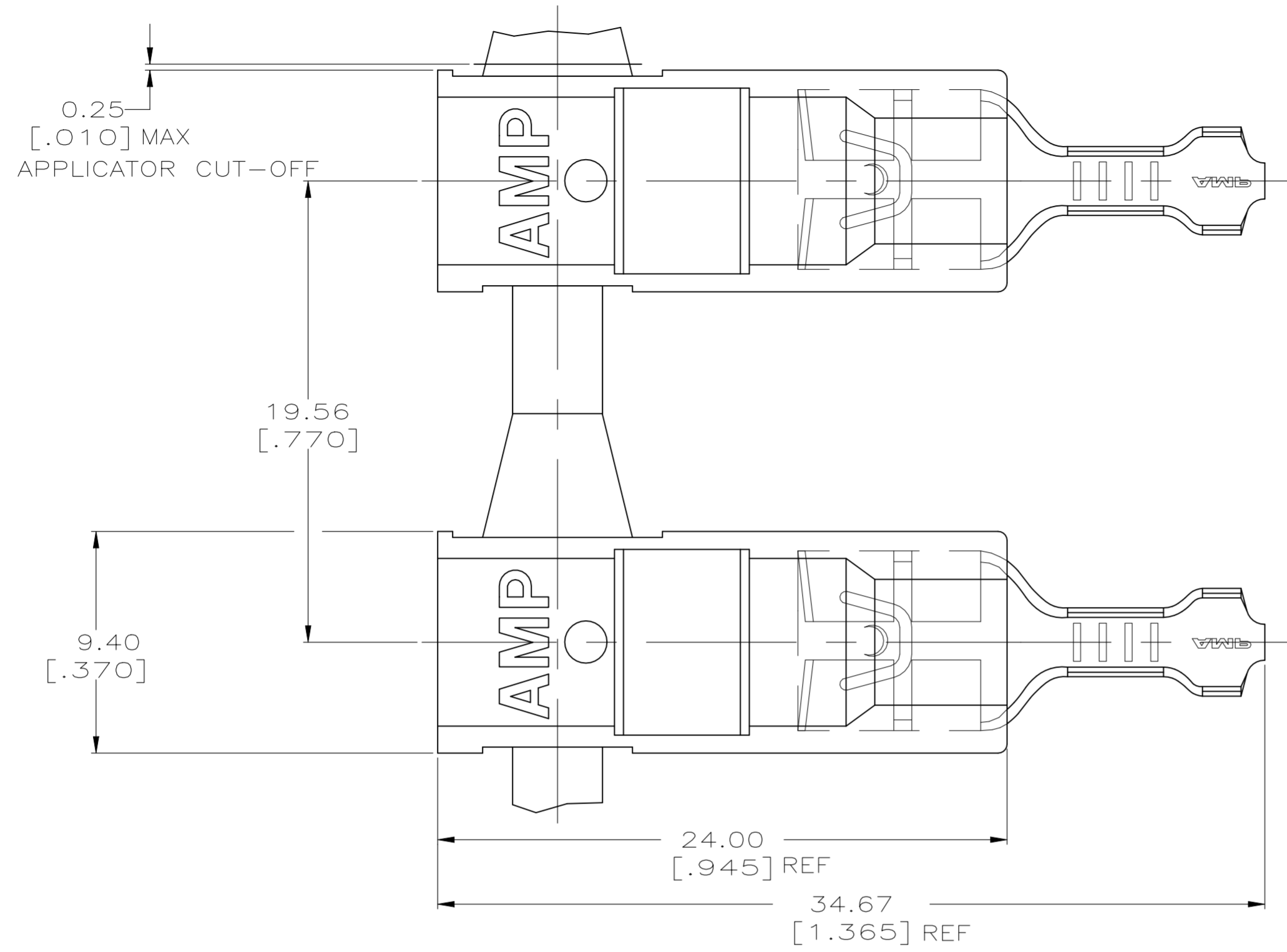
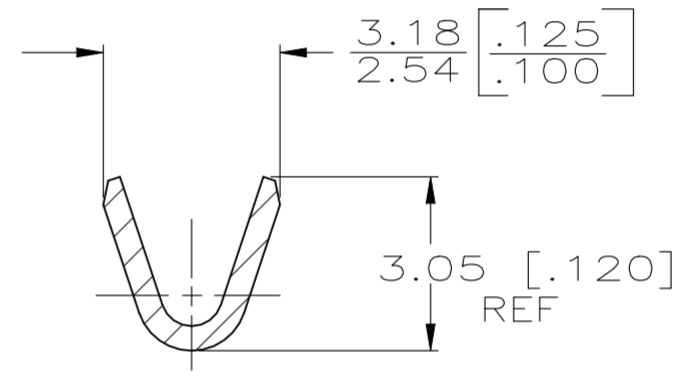


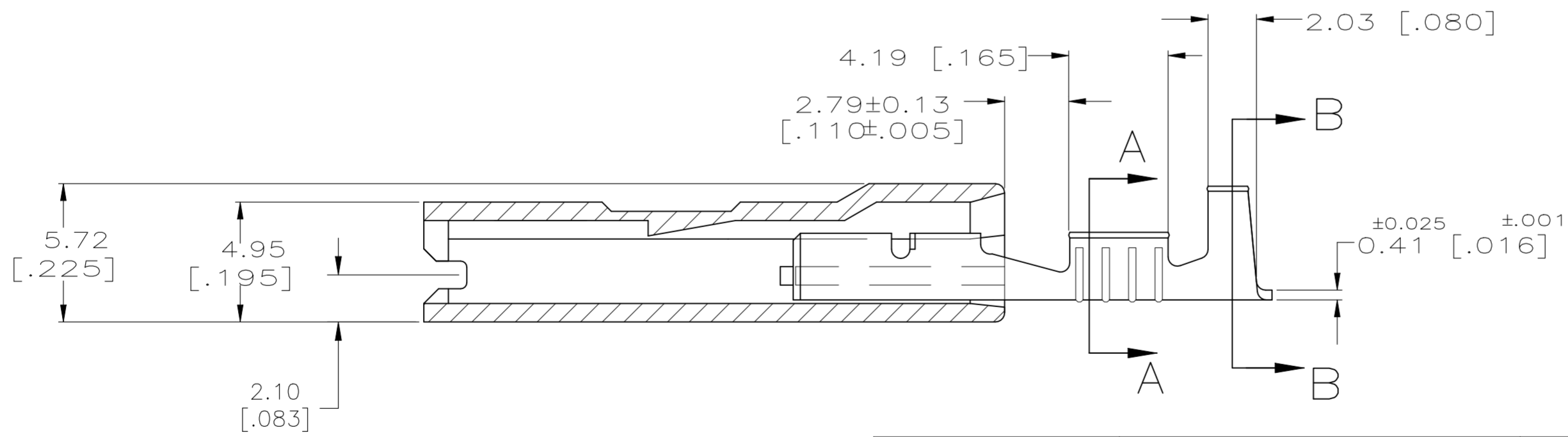
REVISIONS					
P	LTR	DESCRIPTION	DATE	DWN	APVD
A3		REVISED PER ECR-22-160893	15DEC2022	DB	BW



1 LOW-INSERTION FASTON TERMINALS, BASE PART NUMBER 63609, ARE USED IN THIS PRODUCT.



SECTION A-A
SCALE 8:1



SECTION B-B
SCALE 8:1

TIN PLATE PLAIN	2.29-3.30 [.090-.130]	0.3-0.8 mm ² [22-18]	0.81 [.032]	521368-2
TERMINAL FINISH	INSULATION RANGE	WIRE SIZE	MATING TAB THK ±0.025 [±.001]	521368-1
			PART NO	

THIS DRAWING IS A CONTROLLED DOCUMENT.		DWN JR RUTH 15JAN01		ASSEMBLY, HOUSING & RECEPTACLE, 6.35 [.250] SERIES ULTRA-POD
DIMENSIONS: mm [INCHES]		CHK MS FEHER 15JAN01		
TOLERANCES UNLESS OTHERWISE SPECIFIED:		APVD J HUMMEL 15JAN01		
0 PLC ± - 1 PLC ± - 2 PLC ± 0.25 [.010] 3 PLC ± - 4 PLC ± - ANGLES ± -		PRODUCT SPEC 108-1285 APPLICATION SPEC 114-2124		
MATERIAL TERMINAL - BRASS HOUSING - 6/6 VO NYLON	FINISH TERMINAL - SEE TABLE HOUSING - NATURAL	WEIGHT 0.000000	SIZE A2	CAGE CODE 00779
CUSTOMER DRAWING		SCALE 5:1	DRAWING NO C=521368	RESTRICTED TO -
		SHEET 1 OF 1	REV A3	