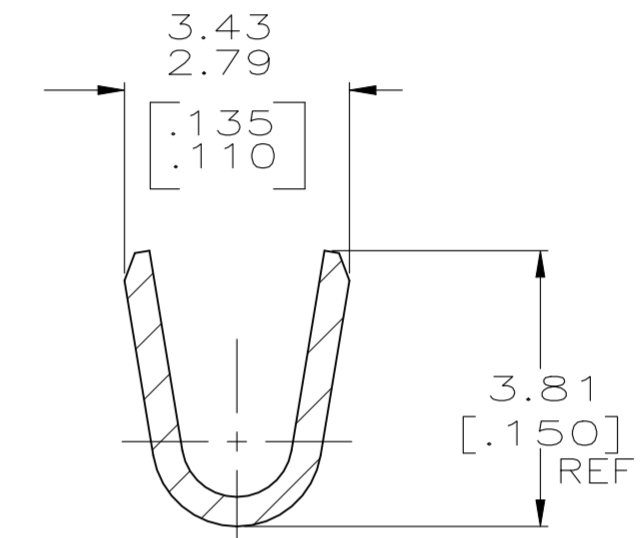
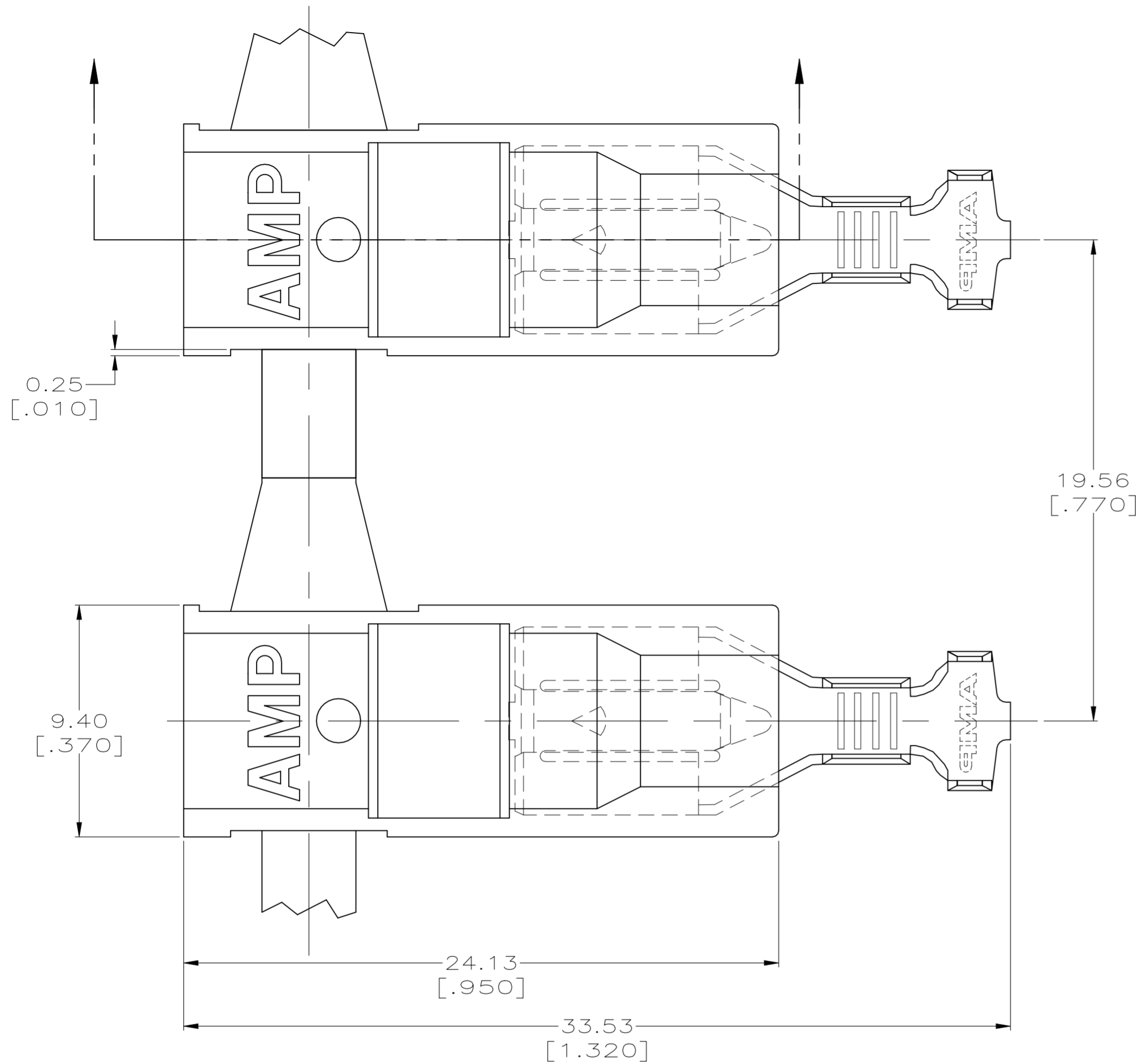
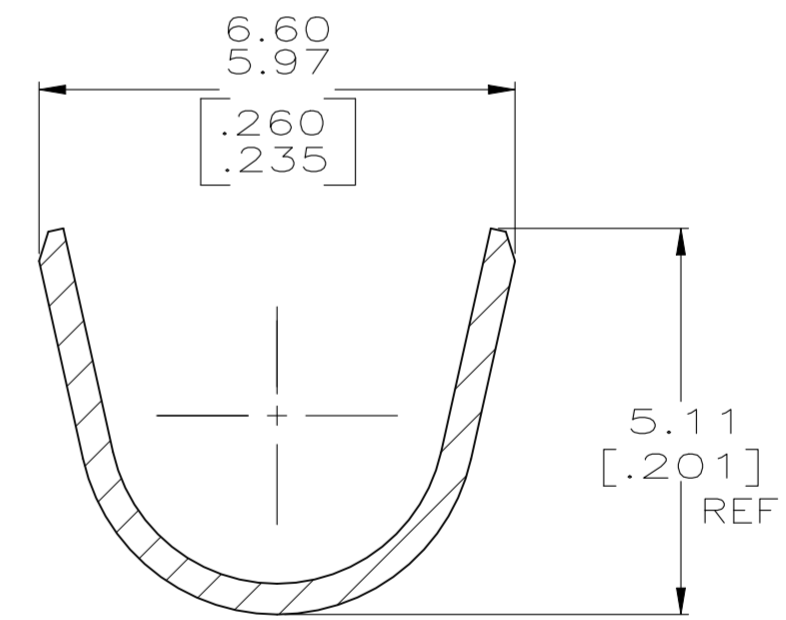


REVISIONS					
P	LTR	DESCRIPTION	DATE	DWN	APVD
C1		REVISED PER ECR-22-160893	14DEC2022	DB	BW

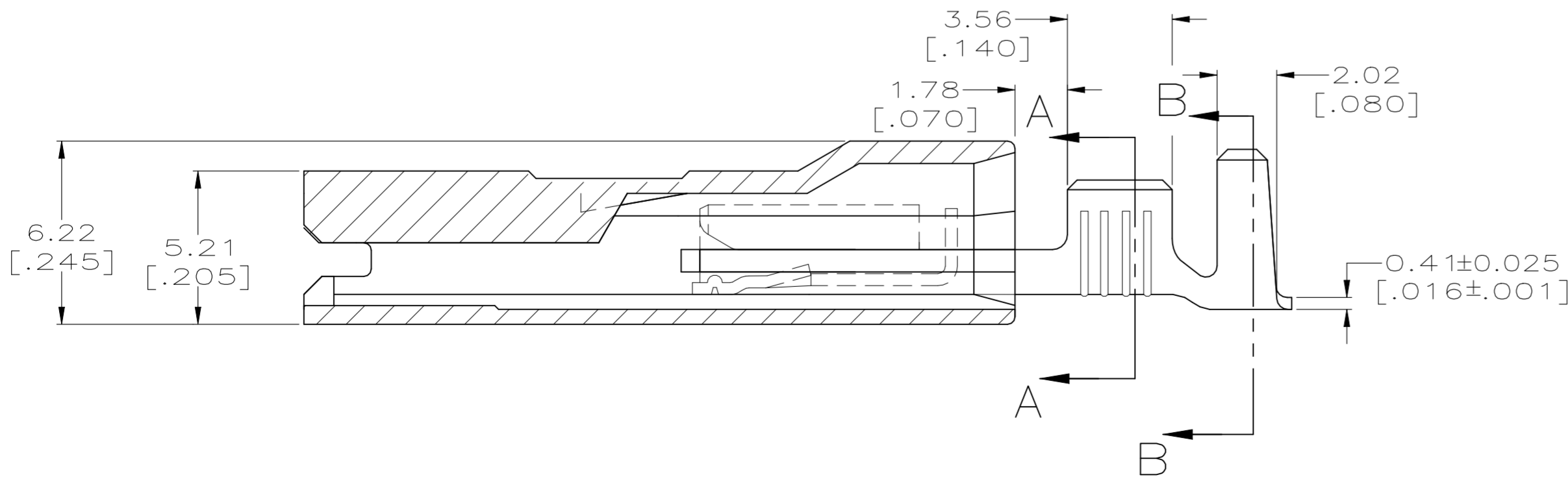
- MATING TAB THK TO BE  $0.81 \pm 0.025$  [.032 ± .001]
- WIRE SIZE IS [#18-#14] AWG.
- INSULATION RANGE IS 2.79-4.57 [.110-.180] DIA.  
 2.79-3.56 [.110-.140] DIA - CRIMP WIDTH 4.57 [.180], F TYPE  
 3.56-4.57 [.140-.180] DIA - CRIMP WIDTH 4.57 [.180], O TYPE



SECTION A-A  
SCALE 10:1



SECTION B-B  
SCALE 10:1



THIS DRAWING IS A CONTROLLED DOCUMENT.

DIMENSIONS: mm [INCHES]	TOLERANCES UNLESS OTHERWISE SPECIFIED:
	0 PLC ± -
	1 PLC ± -
	2 PLC ± 0.25 [.010]
	3 PLC ± -
	4 PLC ± -
	ANGLES ± -
MATERIAL TERMINAL - BRASS HOUSING - 6/6 VO NYLON	FINISH TERMINAL - SEE TABLE HOUSING - NATURAL

DWN JR RUTH 19JUN00	19JUN00		NAME		
CHK MS FEHER 19JUN00	19JUN00		ASSEMBLY, RECEPTACLE, ULTRA-POD, 6.35 [.250] SERIES		
APVD J HUMMEL 19JUN00	19JUN00		SIZE	CAGE CODE	DRAWING NO
PRODUCT SPEC	APPLICATION SPEC		A2	00779	C=521317
WEIGHT 0.000000		RESTRICTED TO	SCALE 5:1	SHEET 1 of 1	REV C1