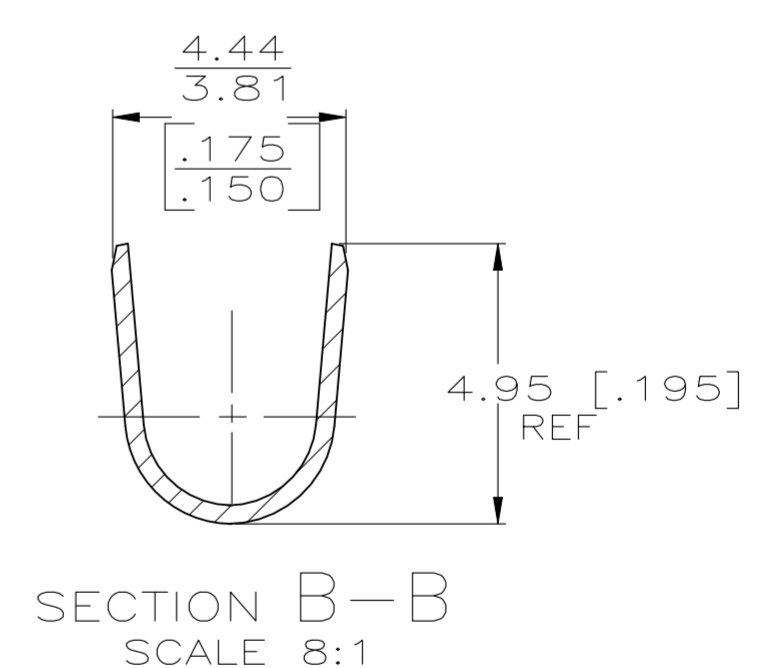
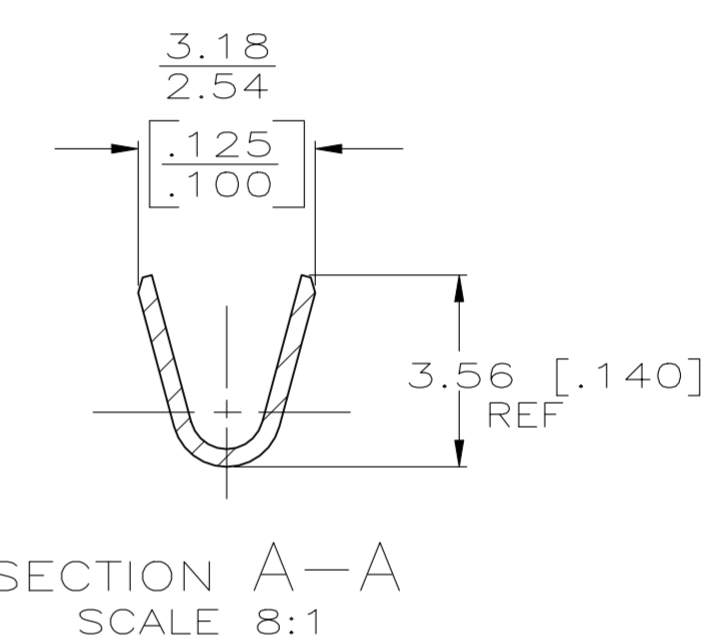
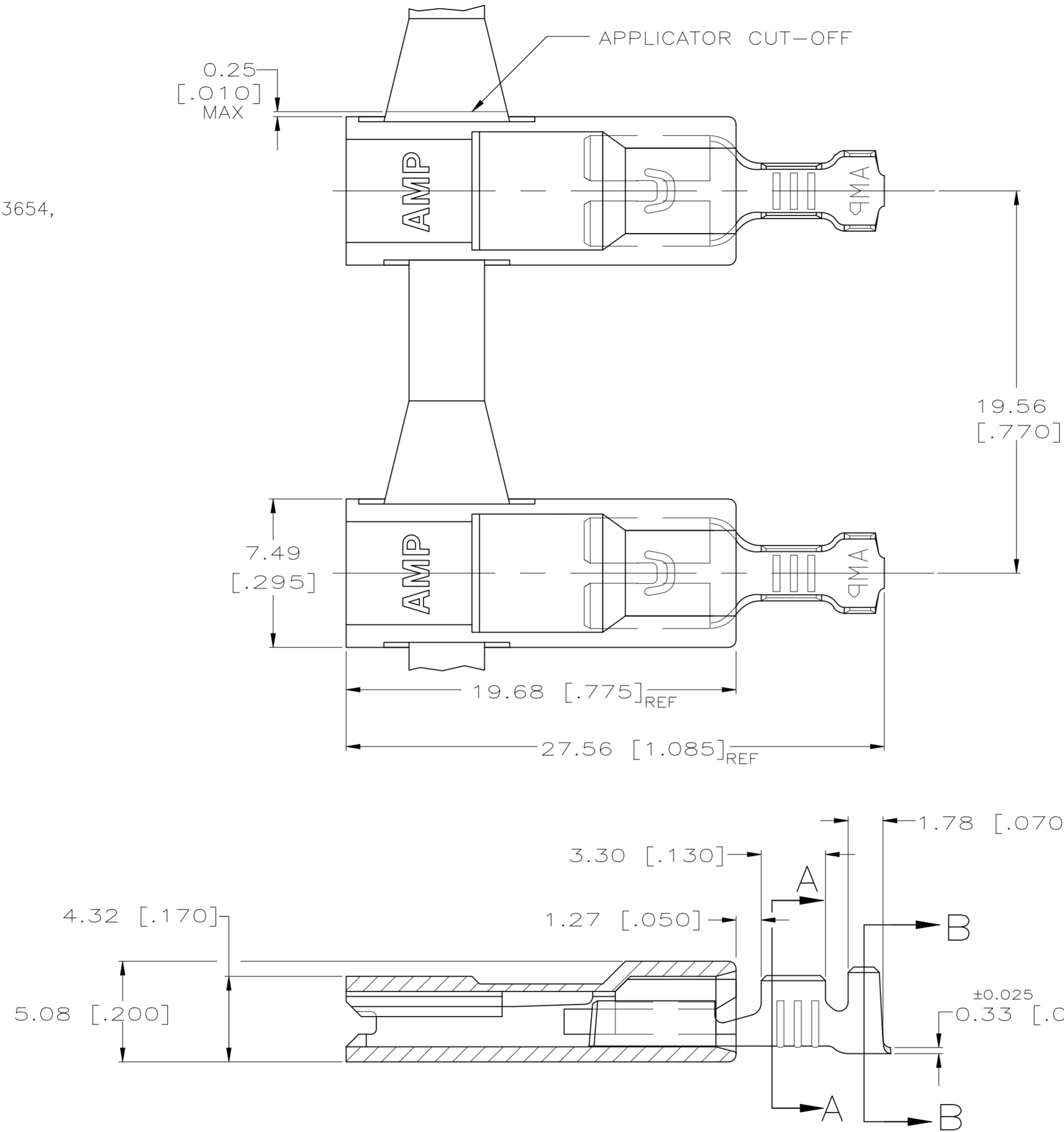


REVISIONS					
P	LTR	DESCRIPTION	DATE	DWN	APVD
D1		REVISED PER ECR-22-160893	14DEC2022	DB	BW

1 FASTON TERMINALS, BASE P/N 63654, ARE USED IN THIS PRODUCT.

2 TIN PLATE PER MIL-T-10727



STANDARD	NATURAL	TIN	2.29-3.30 [.090-.130]	0.5-1.3 mm ² [20-16]	0.813 [.032]	521284-2
	NATURAL	PLAIN				521284-1
PACKAGING	HOUSING COLOR	TERMINAL FINISH	INSULATION RANGE	WIRE SIZE	MATING TAB THK±0.025 [±.001]	PART NO

THIS DRAWING IS A CONTROLLED DOCUMENT.		DWN	JR RUTH	13MAR00	TE Connectivity ASSEMBLY, RECEPTACLE, ULTRA-POD, 4.8 [.187] SERIES
DIMENSIONS: mm [INCHES]		CHK	MS FEHER	13MAR00	
TOLERANCES UNLESS OTHERWISE SPECIFIED:		APVD	J HUMMEL	13MAR00	
0 PLC ± - 1 PLC ± - 2 PLC ± - 3 PLC ± 0.25 [.010] 4 PLC ± - ANGLES ± -		PRODUCT SPEC	118-1285	APPLICATION SPEC	
MATERIAL	TERMINAL - BRASS HOUSING - 6/6 VO NYLON	FINISH	TERMINAL - SEE TABLE HOUSING - SEE TABLE	WEIGHT	0.000000
CUSTOMER DRAWING		SCALE	5:1	SHEET	1 OF 1
		REV	D1		