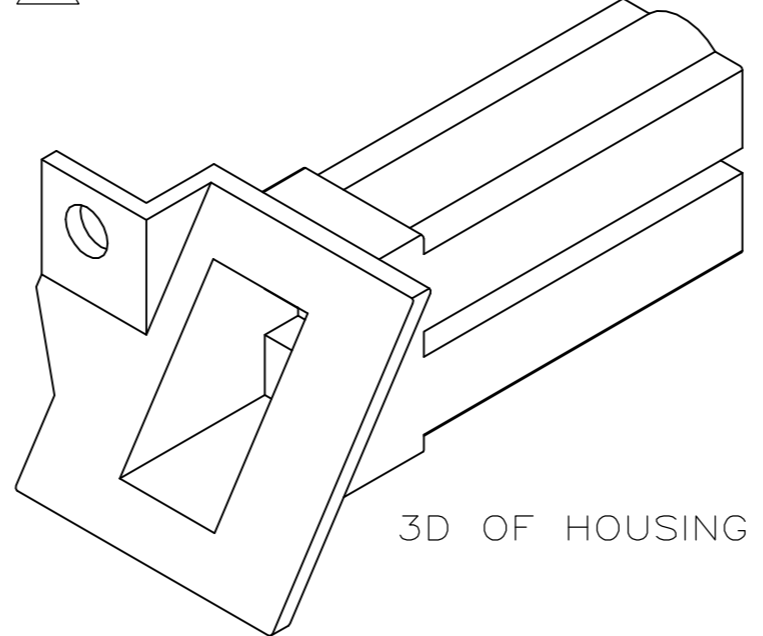
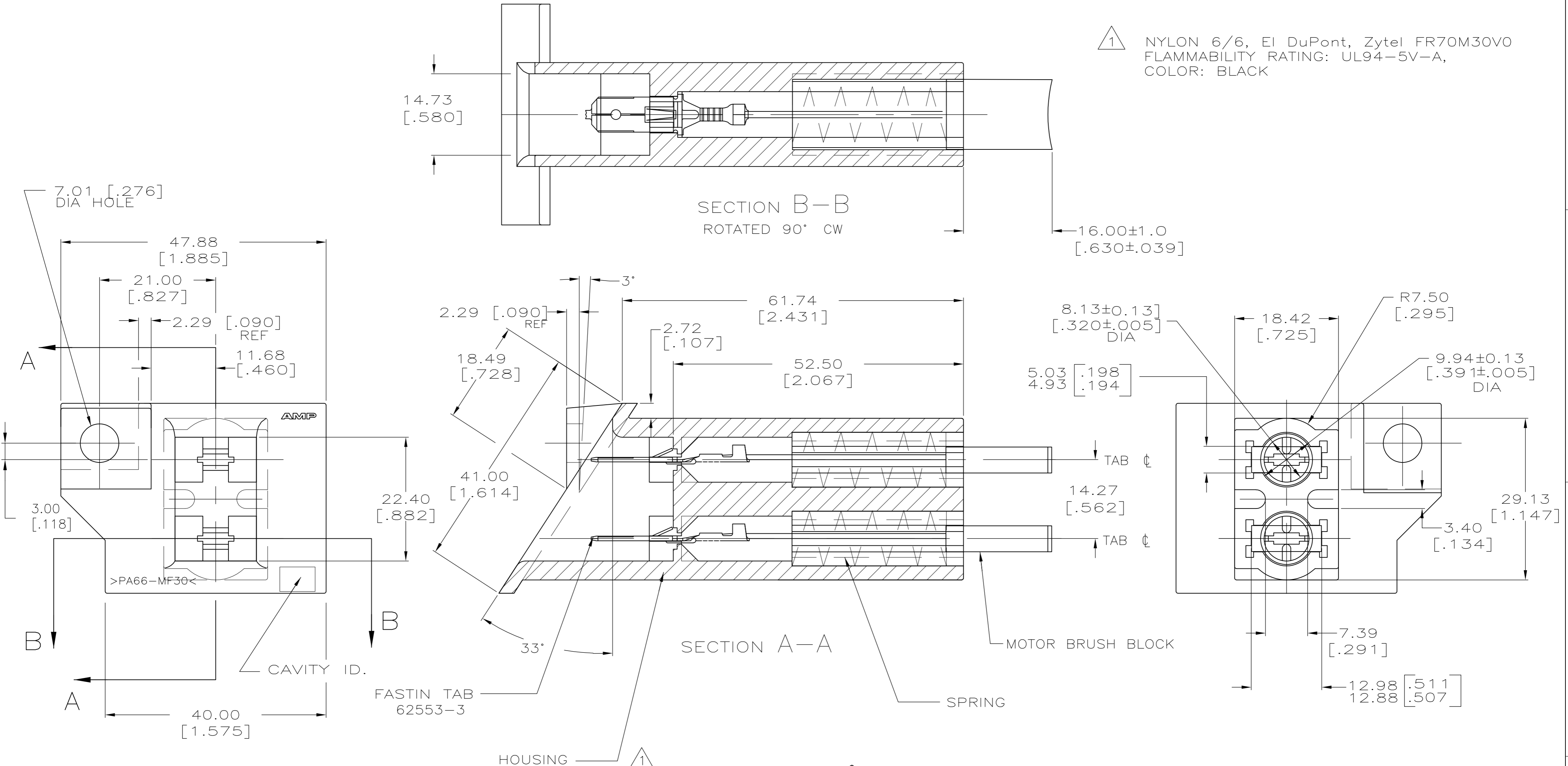


THIS DRAWING IS UNPUBLISHED. RELEASED FOR PUBLICATION
 © COPYRIGHT BY TYCO ELECTRONICS CORPORATION. ALL RIGHTS RESERVED.

LOC		DIST		REVISIONS			
P	LTR	DESCRIPTION		DATE	DWN	APVD	
AF	50	F1	REVISED PER ECR-08-006152	11MAR08	HMR	PD	



521222-1
PART NO.

THIS DRAWING IS A CONTROLLED DOCUMENT.		DWN	JR RUTH	31AUG99	Tyco Electronics Corporation Harrisburg, PA 17105-3608	
DIMENSIONS: mm [INCHES]		CHK	MS FEHER	31AUG99		
TOLERANCES UNLESS OTHERWISE SPECIFIED:		APVD	J HUMMEL	31AUG99		
0 PLC ± - 1 PLC ± - 2 PLC ± 0.25 [.010] 3 PLC ± - 4 PLC ± - ANGLES ± - FINISH -		NAME	ASSEMBLY, BRUSH, MOTOR			
MATERIAL		PRODUCT SPEC	-		SIZE	A2
-		APPLICATION SPEC	-		CAGE CODE	00779
-		WEIGHT	-		DRAWING NO	C=521222
-		CUSTOMER DRAWING	-		RESTRICTED TO	-
-		SCALE	2:1		SHEET	1 OF 1
-		REV	F1			