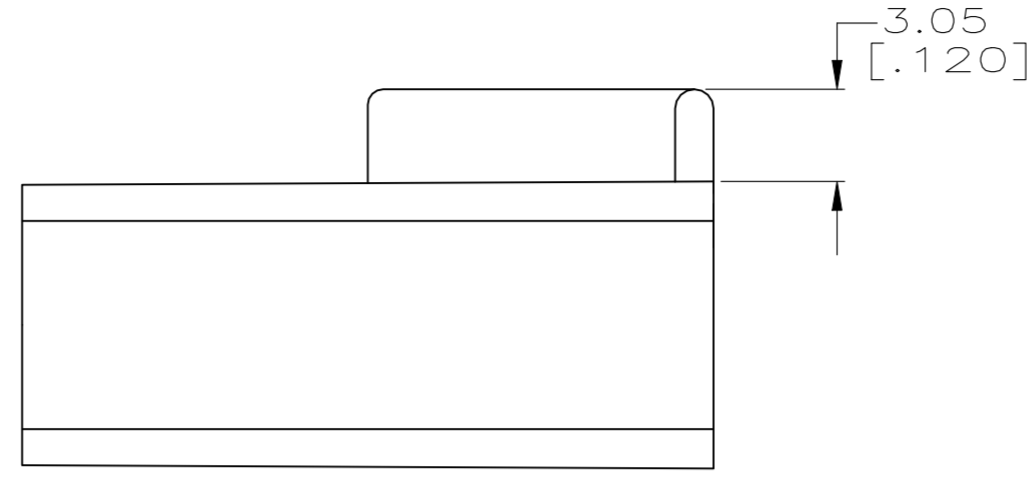
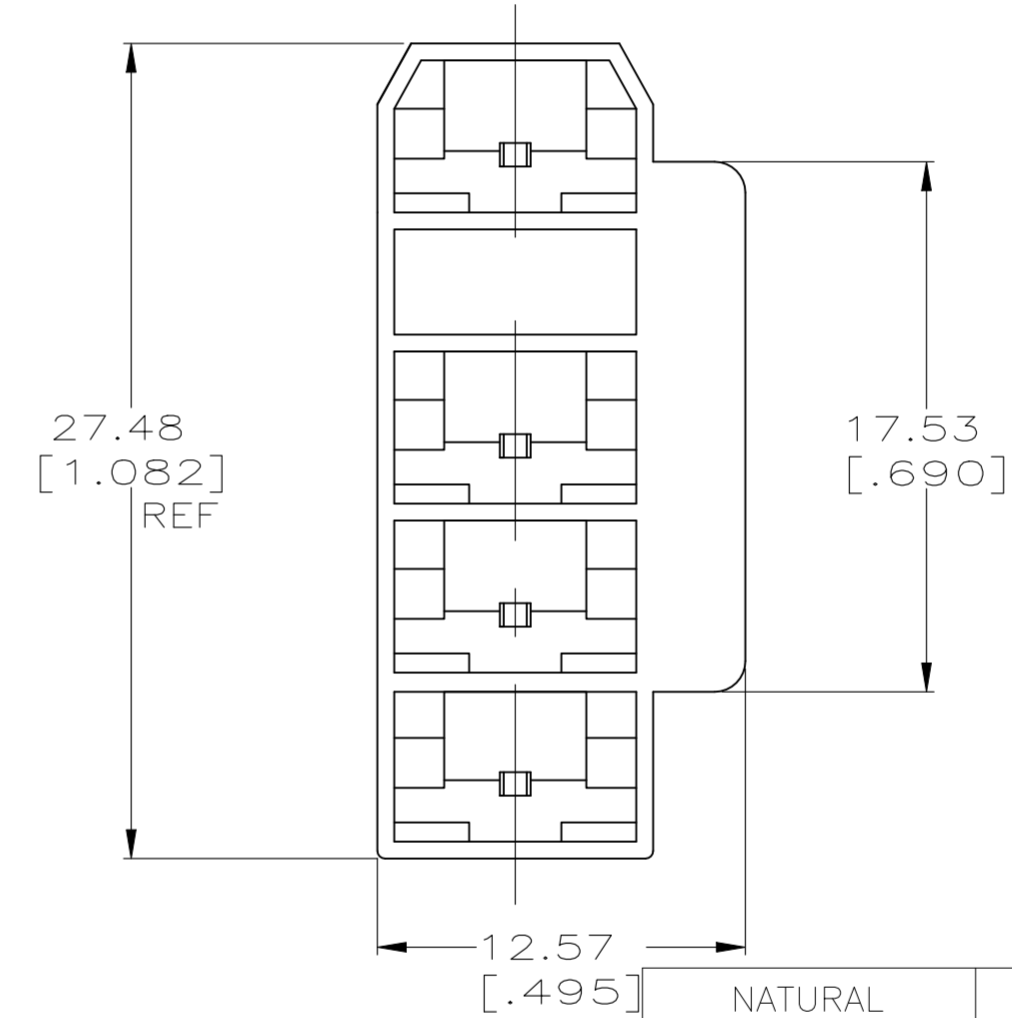
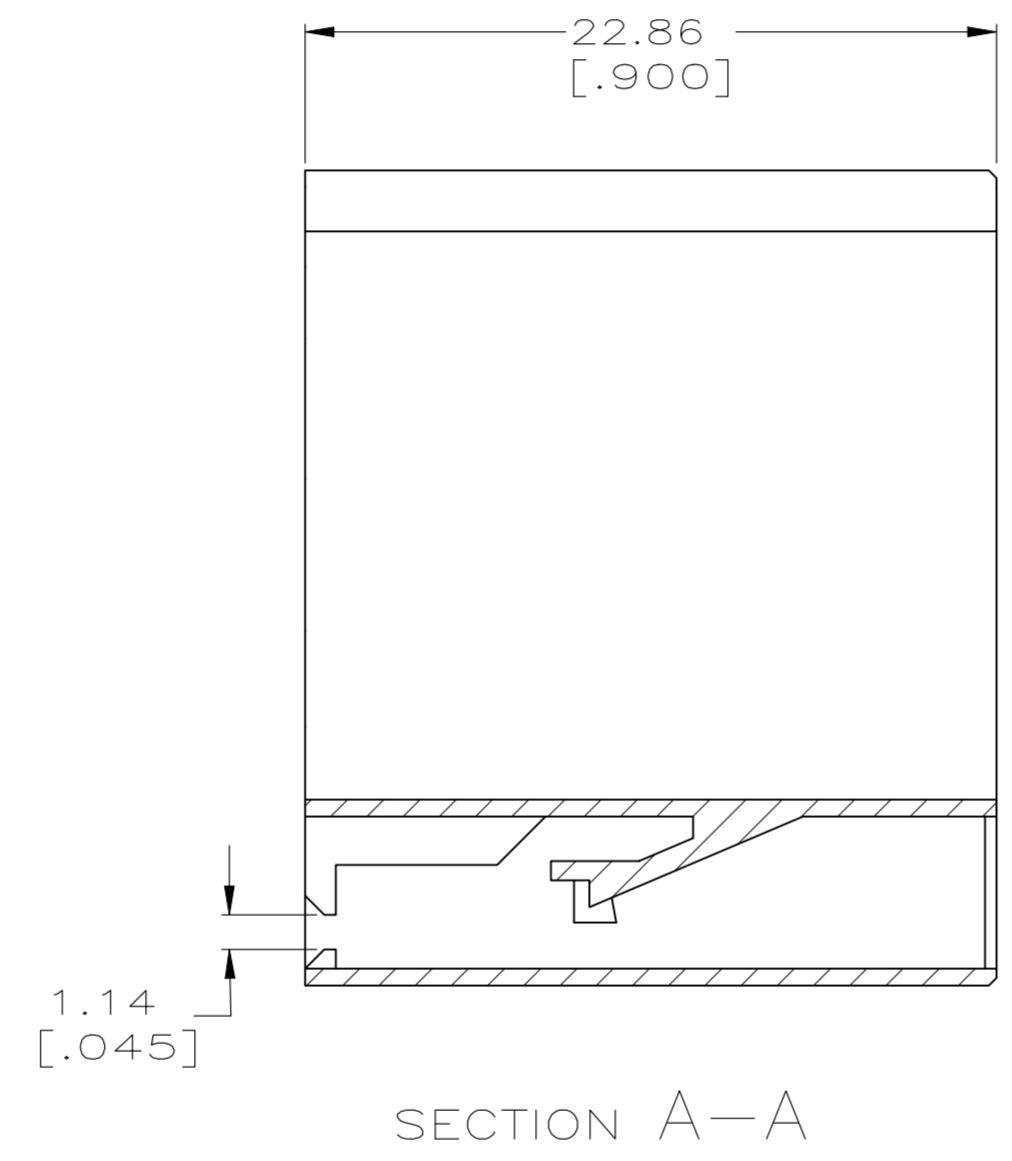
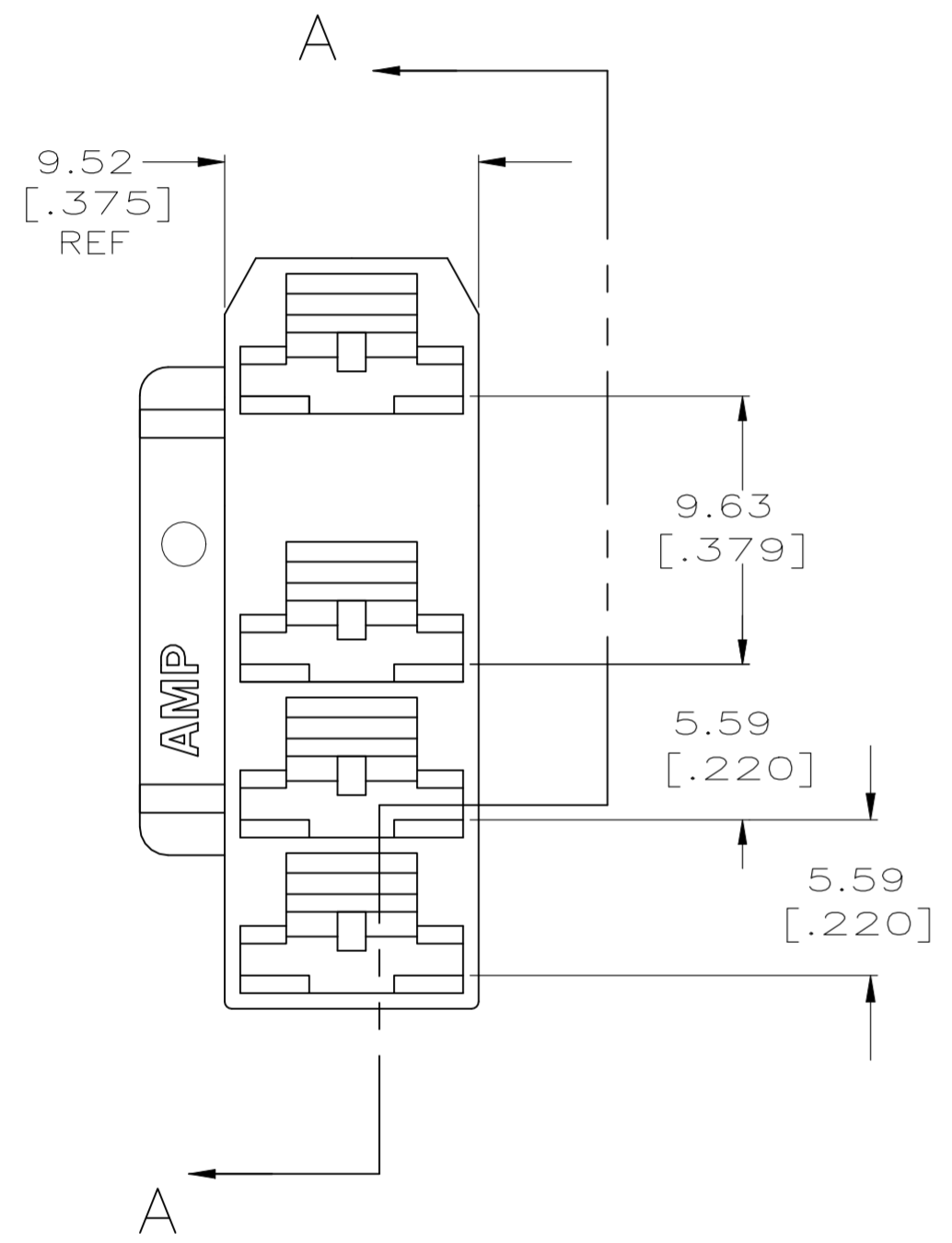


REVISIONS					
P	LTR	DESCRIPTION	DATE	DWN	APVD
K20		REVISED PER ECR-22-157796	20JAN2023	DB	ES



- 1 FOR USE WITH TE CONNECTIVITY 250 SERIES LOW INSERTION RECEPTACLES.
- 2 PRELIMINARY - NOT FOR PRODUCTION.
- 3 GLOW WIRE APPROVED, CONTACT TE CONNECTIVITY FOR ENGN SPECIFICATIONS, ALL WALL THICKNESSES ARE BETWEEN 0.4MM AND 3.0MM.
- 4 OBSOLETE PARTS
- 5 PARTS MAY APPEAR MEDIUM COLORED TO LIGHT COLORED AND EXHIBIT A MARBLING EFFECT.



COLOR	MATERIAL	PART NUMBER
NATURAL	66 NYLON V0 GWT	1-520987-6
BLACK	66 NYLON V0 GWT	1-520987-4
NATURAL	66 NYLON, V0	520987-7
NATURAL	V2	520987-6
NATURAL	66 NYLON, V0	520987-5
BLACK	66 NYLON, V0	520987-4
GRAY	6/6 NYLON, V2	520987-3
NATURAL	6/6 NYLON	520987-2
BLACK	6/6 NYLON	520987-1

SUPERSEDED BY 1-520987-4

THIS DRAWING IS A CONTROLLED DOCUMENT.		DWN M.S. FEHER 22SEP2003	TE Connectivity Ltd.	
DIMENSIONS: mm [INCHES]		CHK J.R. RUTH 22SEP2003		
TOLERANCES UNLESS OTHERWISE SPECIFIED:		APVD P. DESANTIS 22SEP2003	NAME HOUSING, RECEPTACLE, FASTON, 6.35 [.250] SERIES	
0 PLC ± - 1 PLC ± - 2 PLC ± - 3 PLC ± 0.25 [.010] 4 PLC ± - ANGLES ± -		PRODUCT SPEC -	SIZE A2	
MATERIAL SEE TABLE		APPLICATION SPEC -	CAGE CODE 00779	DRAWING NO 520987
FINISH SEE TABLE		WEIGHT	RESTRICTED TO -	SCALE 4:1
		CUSTOMER DRAWING	SHEET 1 OF 1	REV K20