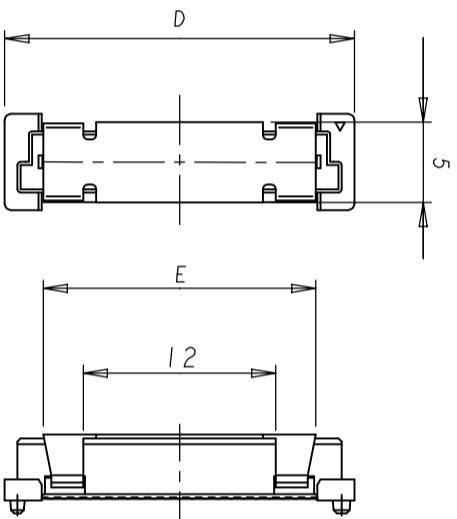
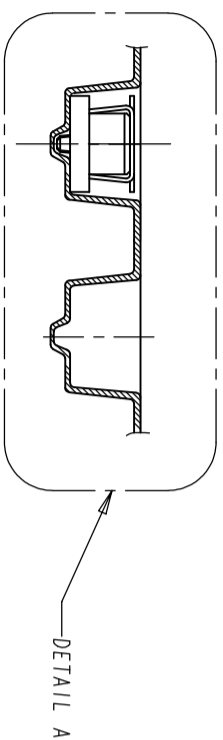
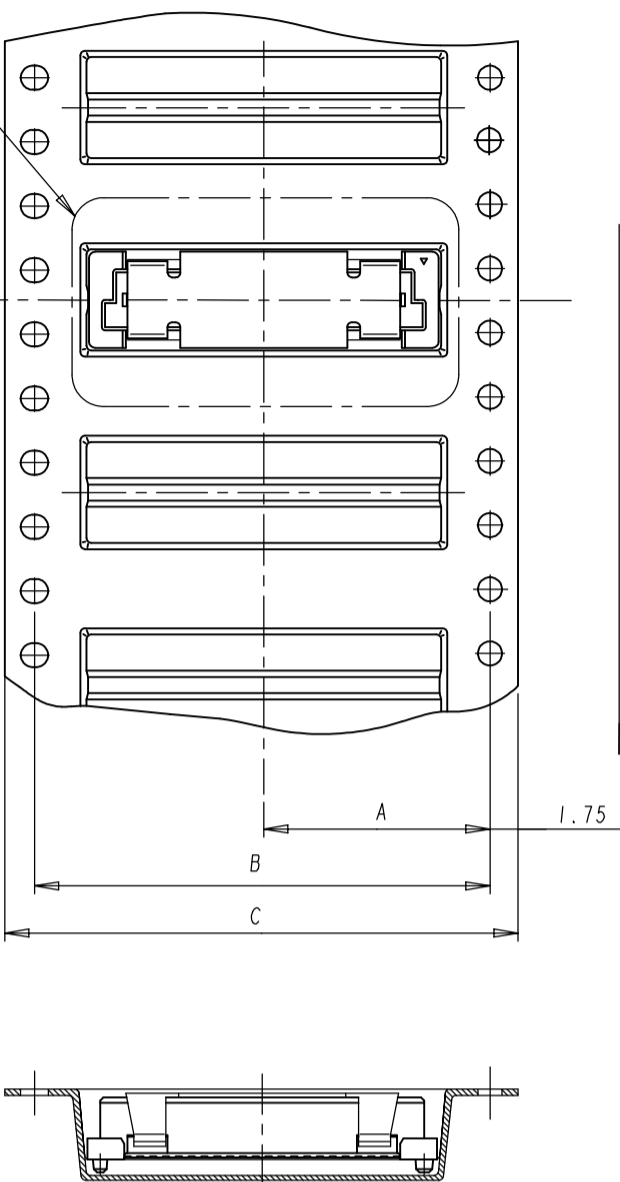
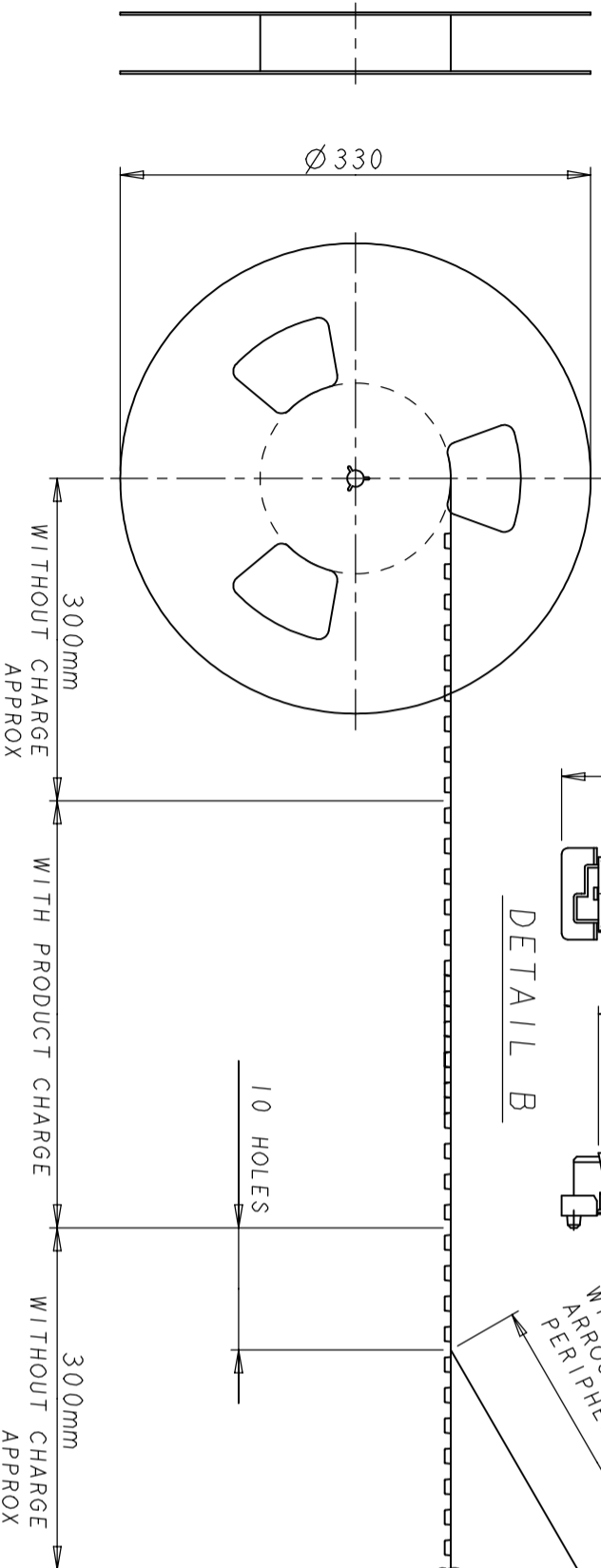


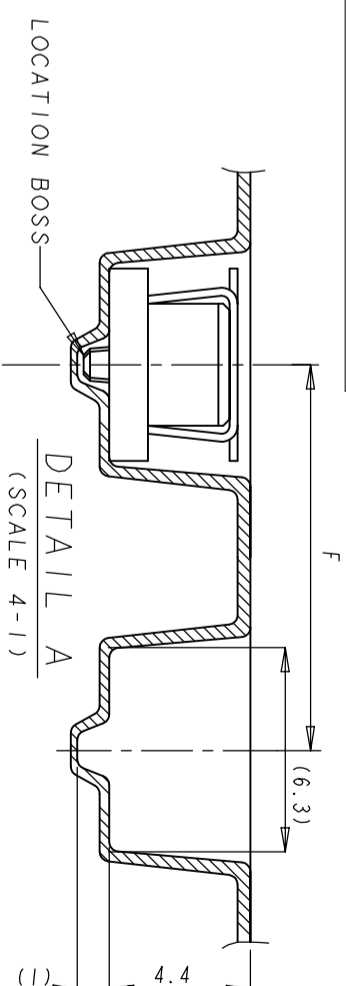
DIRECTION OFF TOP OF REEL



STEEL COVER



LOW HALOGEN



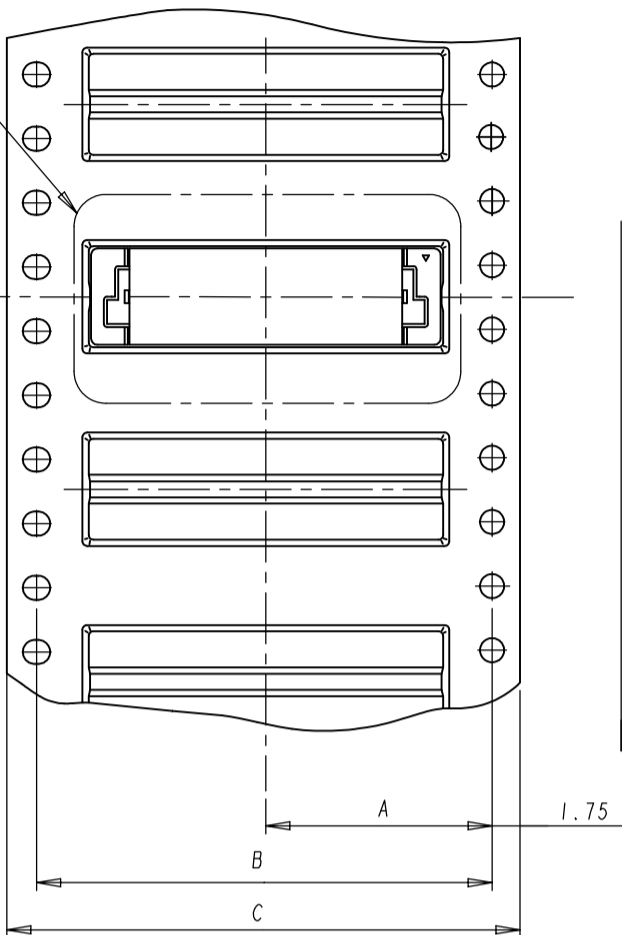
NOTES :

- 1 MATERIAL: HOUSING: LCP,HIGH TEMP THERMOPLASTIC UL 94V-0,NATURAL.
- 2 FINISH: 0.0013 MIN ALL OVER NICKEL CONTACT AREA: 0.00038 MIN GOLD SOLDERING AREA: 0.002 MIN MATTE TIN.
- 3 POSITION SERIES: SEE TABLE.
- 4 CONN STACK HEIGHT COMBINE OF PLUG "Y"H VS REC "X"H. STACK HEIGHT = Y+X-5
- 5 FINISH: 0.0013 MIN ALL OVER NICKEL CONTACT AREA: 0.00038 MIN GOLD SOLDERING AREA: 0.002 MIN MATTE TIN.
- 6 CONNECTOR WITH BLACK COLOR AND POLYIMIDE COVER
- 7 FINISH: 0.0013 MIN ALL OVER NICKEL CONTACT AREA: GOLD FLASH SOLDERING AREA: 0.002 MIN MATTE TIN.

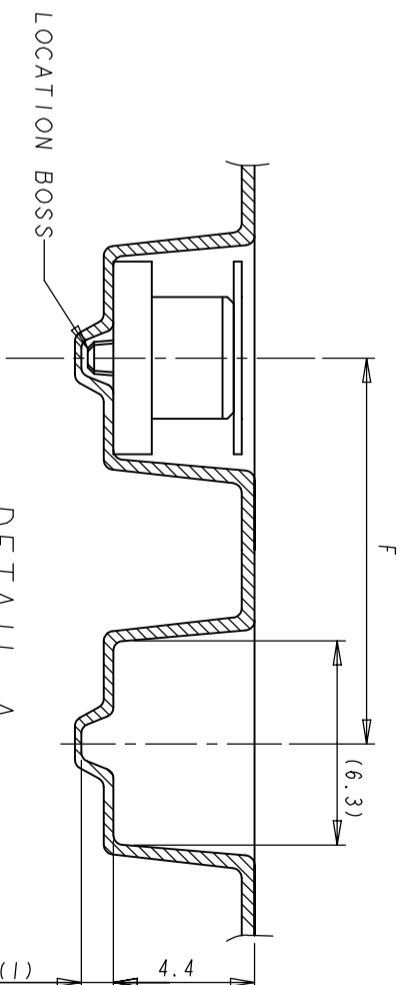
WINDING THE COVER TAPE AROUND THE OUTER PERIPHERY IN A TURN.

FINISH	QTY	F	E	D	C	B	A	POS	PART NO.
5	1000			21.8	44	40.4	20.2	40	8 - -2
				69.8	88	84.4	42.2	160	9 - -8
				53.8	72	68.4	34.2	120	9 - -5
				45.8	72	68.4	34.2	100	9 - -4
				37.8	56	52.4	26.2	80	9 - -3
				29.8	44	40.4	20.2	60	9 - -2
	1000	12	17	21.8	32	28.4	14.2	40	9 - -1
				85.8	104	100.4	50.2	200	1 - -0
				77.8	104	100.4	50.2	180	1 - -9
				69.8	88	84.4	42.2	160	1 - -8
				21.8	32	28.4	14.2	40	1 - -7
				61.8	88	84.4	42.2	140	1 - -6
				53.8	72	68.4	34.2	120	1 - -5
				45.8	72	68.4	34.2	100	1 - -4
				37.8	56	52.4	26.2	80	1 - -3
				29.8	44	40.4	20.2	60	1 - -2
	1000	12	17	21.8	32	40.4	20.2	40	1 - -1
				85.8	104	100.4	50.2	200	1 - -0
				77.8	104	100.4	50.2	180	1 - -9
				69.8	88	84.4	42.2	160	1 - -8
				21.8	32	28.4	14.2	40	1 - -7
				61.8	88	84.4	42.2	140	1 - -6
				53.8	72	68.4	34.2	120	1 - -5
				45.8	72	68.4	34.2	100	1 - -4
				37.8	56	52.4	26.2	80	1 - -3
				29.8	44	40.4	20.2	60	1 - -2
	1000	12	17	21.8	32	40.4	20.2	40	1 - -1
				85.8	104	100.4	50.2	200	1 - -0
				77.8	104	100.4	50.2	180	1 - -9
				69.8	88	84.4	42.2	160	1 - -8
				21.8	32	28.4	14.2	40	1 - -7
				61.8	88	84.4	42.2	140	1 - -6
				53.8	72	68.4	34.2	120	1 - -5
				45.8	72	68.4	34.2	100	1 - -4
				37.8	56	52.4	26.2	80	1 - -3
				29.8	44	40.4	20.2	60	1 - -2
	1000	12	17	21.8	32	40.4	20.2	40	1 - -1
				85.8	104	100.4	50.2	200	1 - -0
				77.8	104	100.4	50.2	180	1 - -9
				69.8	88	84.4	42.2	160	1 - -8
				21.8	32	28.4	14.2	40	1 - -7
				61.8	88	84.4	42.2	140	1 - -6
				53.8	72	68.4	34.2	120	1 - -5
				45.8	72	68.4	34.2	100	1 - -4
				37.8	56	52.4	26.2	80	1 - -3
				29.8	44	40.4	20.2	60	1 - -2
	1000	12	17	21.8	32	40.4	20.2	40	1 - -1
				85.8	104	100.4	50.2	200	1 - -0
				77.8	104	100.4	50.2	180	1 - -9
				69.8	88	84.4	42.2	160	1 - -8
				21.8	32	28.4	14.2	40	1 - -7
				61.8	88	84.4	42.2	140	1 - -6
				53.8	72	68.4	34.2	120	1 - -5
				45.8	72	68.4	34.2	100	1 - -4
				37.8	56	52.4	26.2	80	1 - -3
				29.8	44	40.4	20.2	60	1 - -2
	1000	12	17	21.8	32	40.4	20.2	40	1 - -1
				85.8	104	100.4	50.2	200	1 - -0
				77.8	104	100.4	50.2	180	1 - -9
				69.8	88	84.4	42.2	160	1 - -8
				21.8	32	28.4	14.2	40	1 - -7
				61.8	88	84.4	42.2	140	1 - -6
				53.8	72	68.4	34.2	120	1 - -5
				45.8	72	68.4	34.2	100	1 - -4
				37.8	56	52.4	26.2	80	1 - -3
				29.8	44	40.4	20.2	60	1 - -2
	1000	12	17	21.8	32	40.4	20.2	40	1 - -1
				85.8	104	100.4	50.2	200	1 - -0
				77.8	104	100.4	50.2	180	1 - -9
				69.8	88	84.4	42.2	160	1 - -8
				21.8	32	28.4	14.2	40	1 - -7
				61.8	88	84.4	42.2	140	1 - -6
				53.8	72	68.4	34.2	120	1 - -5
				45.8	72	68.4	34.2	100	1 - -4
				37.8	56	52.4	26.2	80	1 - -3
				29.8	44	40.4	20.2	60	1 - -2
	1000	12	17	21.8	32	40.4	20.2	40	1 - -1
				85.8	104	100.4	50.2	200	1 - -0
				77.8	104	100.4	50.2	180	1 - -9
				69.8	88	84.4	42.2	160	1 - -8
				21.8	32	28.4	14.2	40	1 - -7
				61.8	88	84.4	42.2	140	1 - -6
				53.8	72	68.4	34.2	120	1 - -5
				45.8	72	68.4	34.2	100	1 - -4
				37.8	56	52.4	26.2	80	1 - -3
				29.8	44	40.4	20.2	60	1 - -2
	1000	12	17	21.8	32	40.4	20.2	40	1 - -1
				85.8	104	100.4	50.2	200	1 - -0
				77.8	104	100.4	50.2	180	1 - -9
				69.8	88	84.4	42.2	160	1 - -8
				21.8	32	28.4	14.2	40	1 - -7
				61.8	88	84.4	42.2	140	1 - -6
				53.8	72	68.4	34.2	120	1 - -5
				45.8	72	68.4	34.2	100	1 - -4
				37.8	56	52.4	26.2	80	1 - -3
				29.8	44	40.4	20.2	60	1 - -2
	1000	12	17	21.8	32	40.4	20.2	40	1 - -1
				85.8	104	100.4	50.2	200	1 - -0
				77.8	104	100.4	50.2	180	1 - -9
				69.8	88	84.4	42.2	160	1 - -8
				21.8	32	28.4	14.2	40	1 - -7
				61.8	88	84.4	42.2	140	1 - -6
				53.8	72	68.4	34.2	120	1 - -5
				45.8	72	68.4	34.2	100	1 - -4
				37.8	56	52.4	26.2	80	1 - -3
				29.8	44	40.4	20.2	60	1 - -2
	1000	12	17	21.8	32	40.4	20.2	40	1 - -1
				85.8	104	100.4	50.2	200	1 - -0
				77.8	104	100.4	50.2	180	1 - -9
				69.8	88	84.4	42.2	160	1 - -8
				21.8	32	28.4	14.2	40	1 - -7
				61.8	88	84.4	42.2	140	1 - -6
				53.8	72	68.4	34.2	120	1 - -5
				45.8	72	68.4	34.2	100	1 - -4
				37.8	56	52.4	26.2	80	1 - -3
				29.8	44	40.4	20.2	60	1 - -2
	1000	12	17	21.8	32	40.4	20.2	40	1 - -1
				85.8	104	100.4	50.2	200	1 - -0
				77.8	104	100.4	50.2	180	1 - -9
				69.8	88	84.4	42.2	160	1 - -8
				21.8	32	28.4	14.2	40	1 - -7
				61.8	88	84.4	42.2	140	1 - -6
				53.8	72	68.4	34.2	120	1 - -5
				45.8	72	68.4	34.2	100	1 - -4
				37.8	56	52.4	26.2	80	1 - -3
				29.8	44	40.4	20.2	60	1 - -2
	1000	12	17	21.8	32	40.4	20.2	40	1 - -1
				85.8	104	100.4	50.2	200	1 - -0
				77.8	104	100.4	50.2	180	1 - -9
				69.8	88	84.4	42.2	160	1 - -8
				21.8	32	28.4	14.2	40	1 - -7
				61.8					

DIRECTION OFF TOP OF REEL

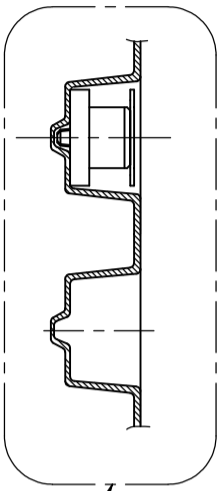


LOW HALOGEN

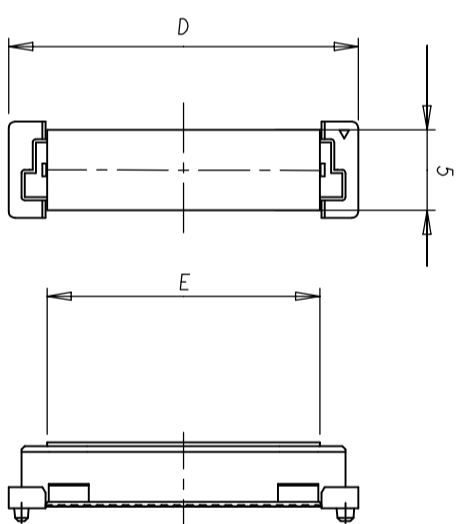


DETAIL A
(SCALE 4-1)

DETAIL B

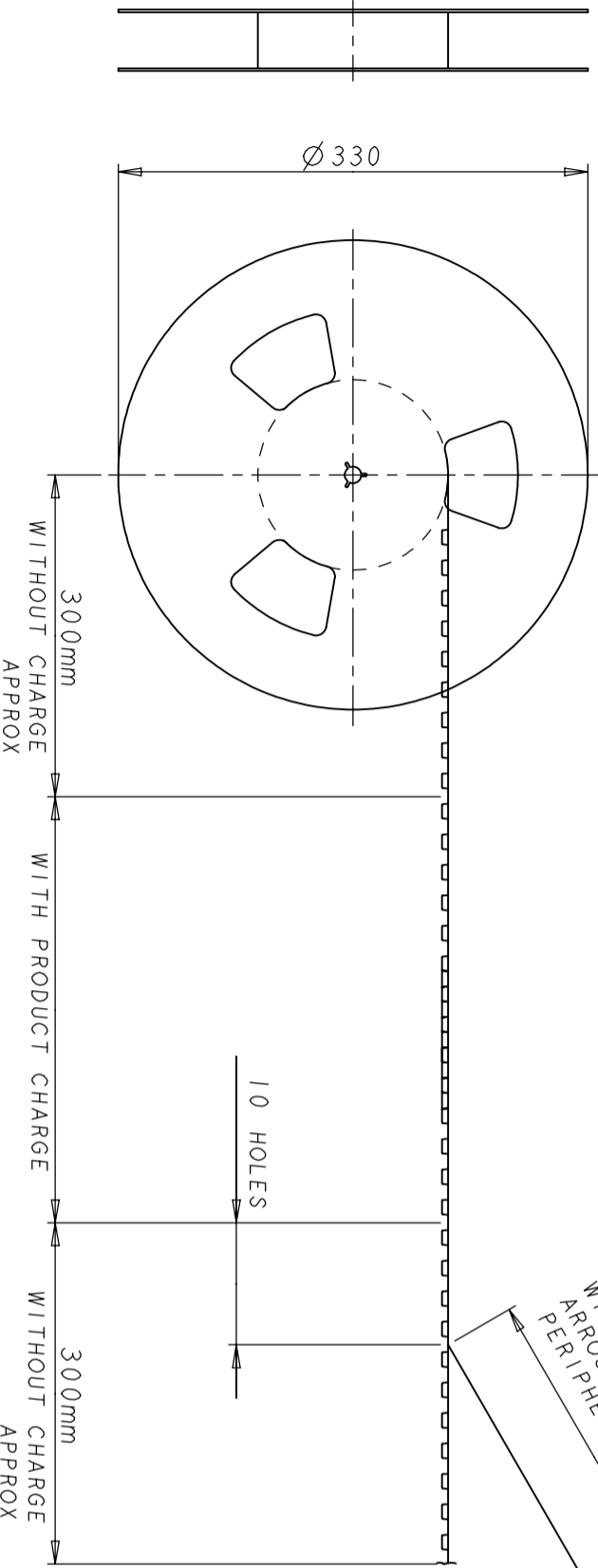


DETAIL A



DETAIL B

POLYIMIDE COVER



WINDING THE COVER TAPE
AROUND THE OUTER
PERIPHERY IN A TURN.

REVISIONS		DATE	DMN	APVD
P	LTR			
	DESCRIPTION			
-	SEE SHEET 1	-	-	-

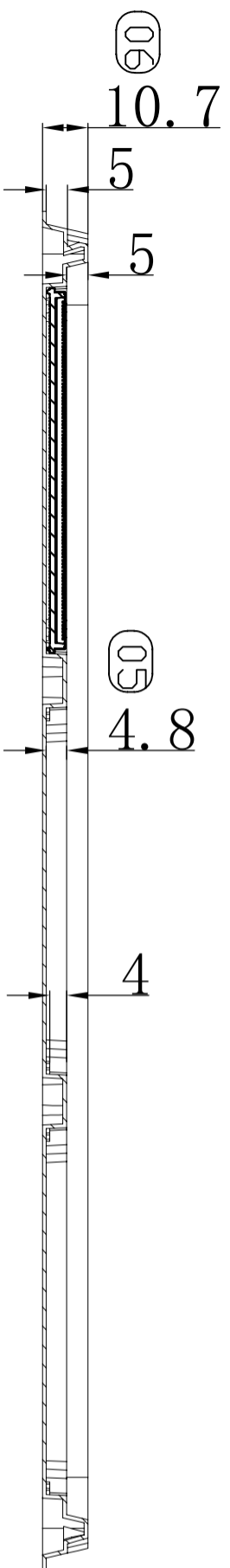
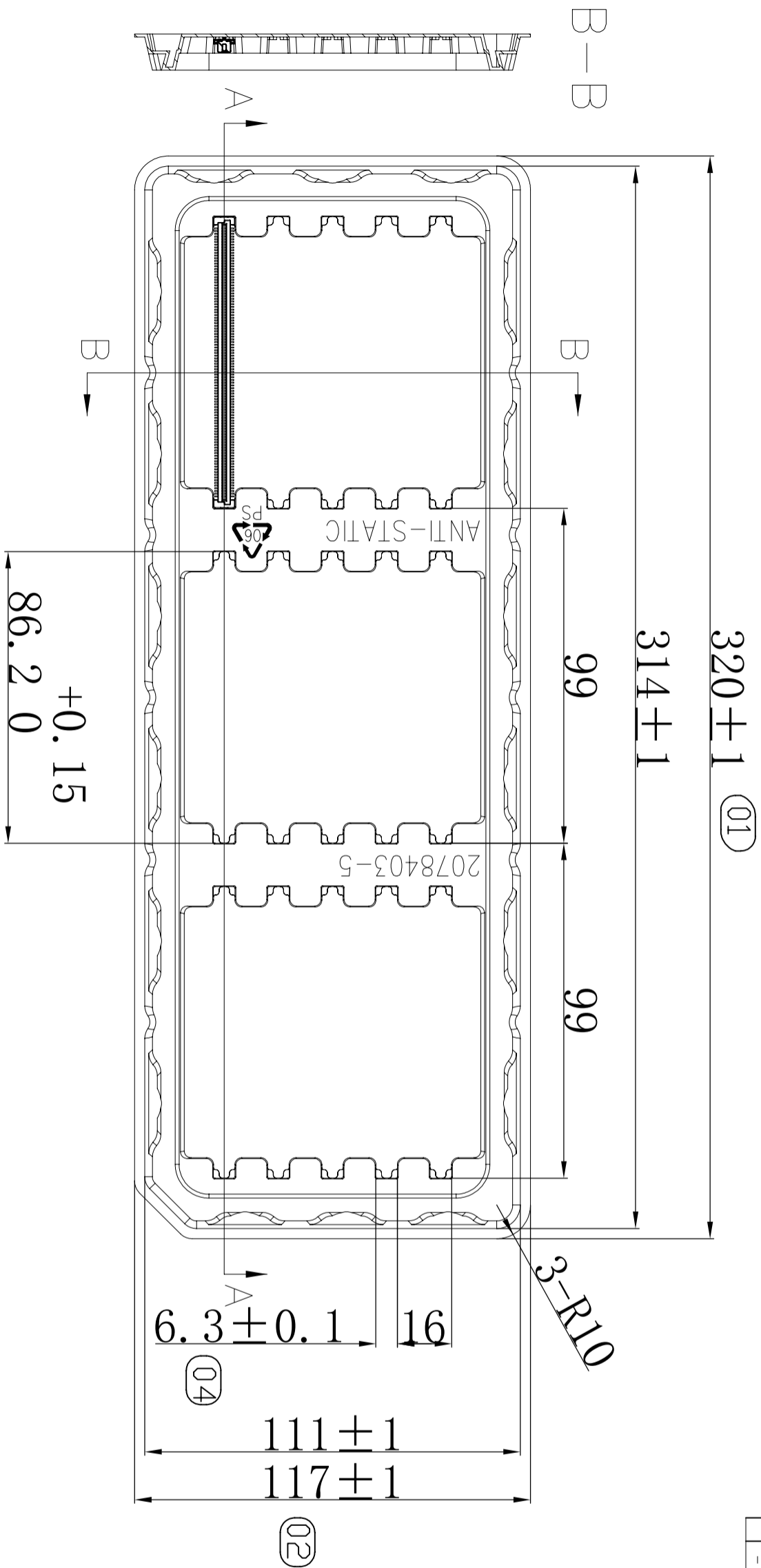
FINISH	QTY	F	E	D	C	B	A	POS	PART NO.
△	700	16	11	61.8	88	84.4	42.2	140	9-5177985-6

THIS DRAWING IS A CONTROLLED DOCUMENT.		DMN	17MAY2004
CHK	SK LEAW		
APVD	ERIC TNG		
PRODUCT SPEC	SF LEONG		
APPLICATION SPEC	108-5390		
WEIGHT	114-5254		
CUSTOMER DRAWING			

NAME	RECEPTACLE ASSEMBLY 5H TYPE (0.5MM BOSS LENGTH) FOR 0.8FH ON TAPING
SIZE	A2
QAC CODE	00779
DRAWING NO	5177985
RESTRICTED TO	

STE TE Connectivity Ltd.

REVISIONS				
P	LR	DESCRIPTION	DATE	DMN APD
-	-	SEE SHEET 1	-	-



A--A

5177985

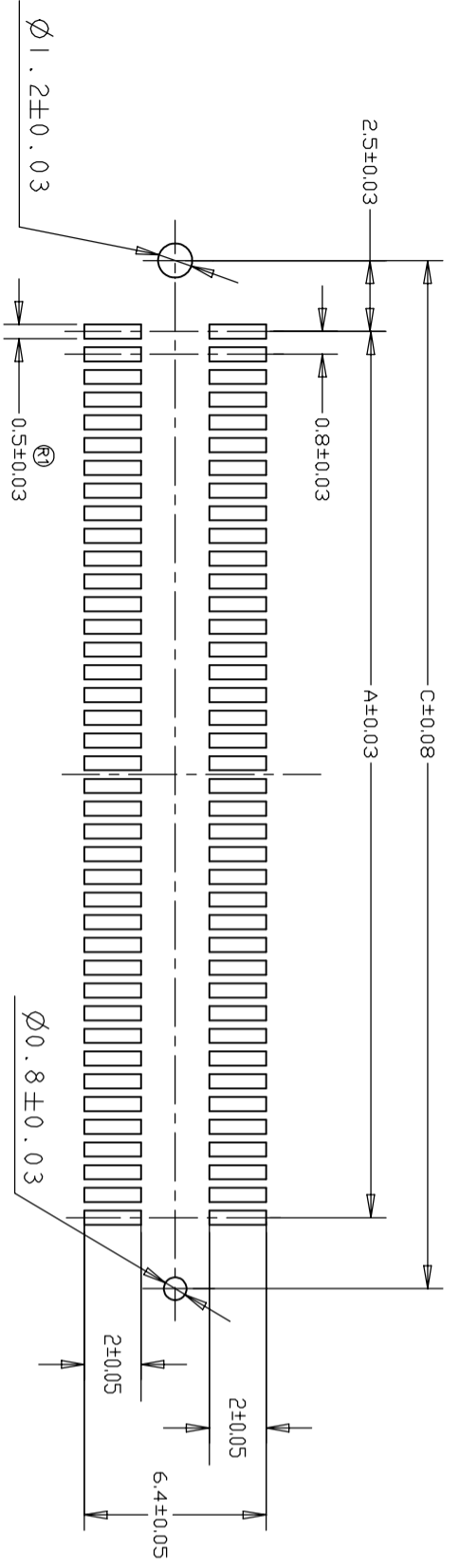
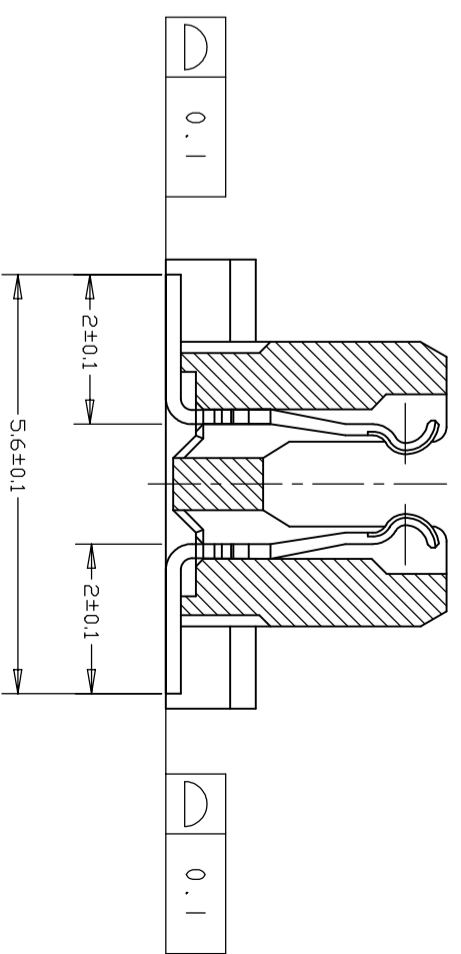
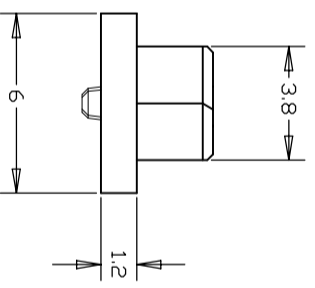
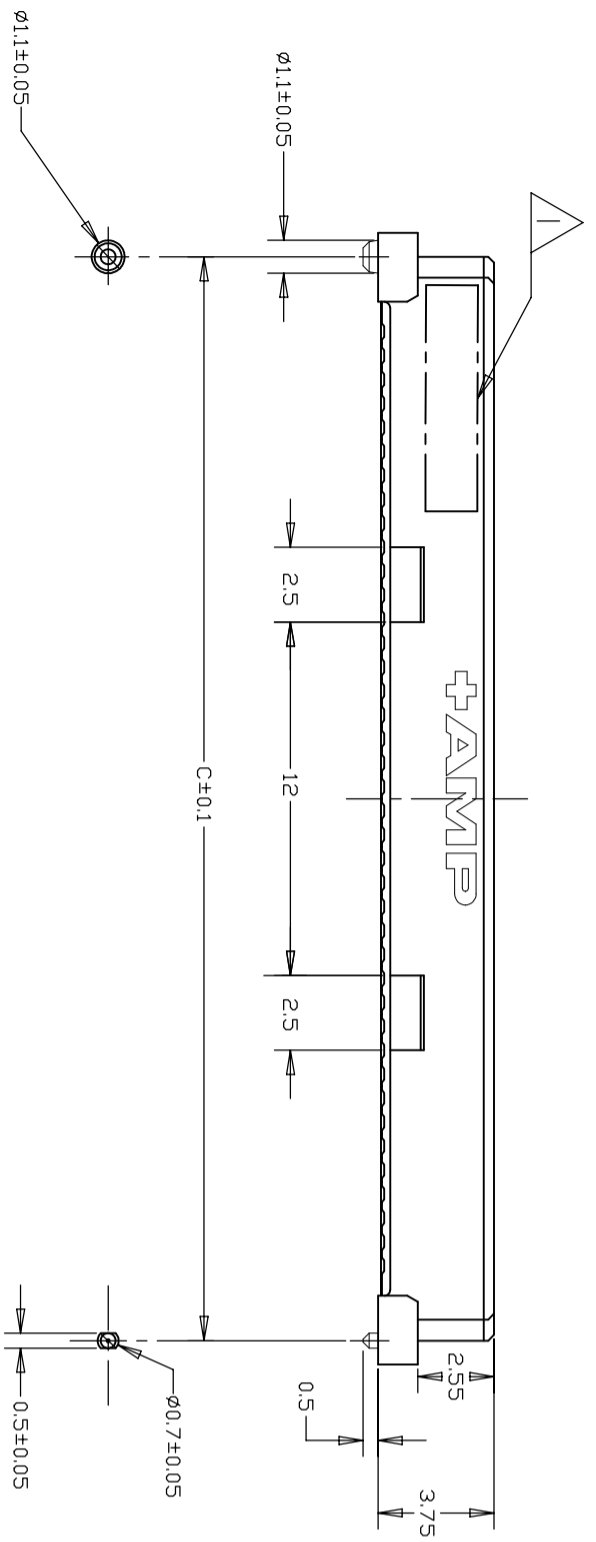
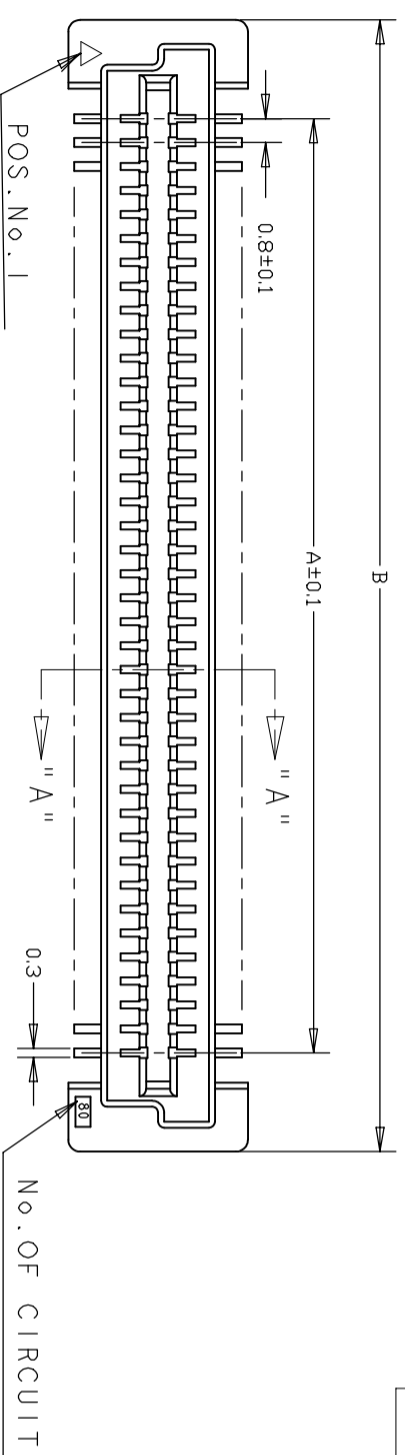
FINISH	ROW	QTY	POS	PART NO.
5	3	15	200	2-5177985-1

THIS DRAWING IS A CONTROLLED DOCUMENT.		DMN	SK LEAW	17MAY2004	NAME	STE TE Connectivity Ltd.
DIMENSIONS: mm		CHK	ERIC TNG	-	APVD	SF LEONG
TOLERANCES UNLESS OTHERWISE SPECIFIED:		PRODUCT SPEC	108-5390	APPLICATION SPEC	114-5254	WEIGHT
0 P.L.C.	±	0				
1 P.L.C.	±	0.3				
2 P.L.C.	±	0.25				
3 P.L.C.	±	0.2				
4 P.L.C.	±	-				
ANGLES	±	-				
FINISH	-					
MATERIAL	-	CUSTOMER DRAWING				
SIZE		A2	00779	5177985	RESTRICTED TO	
SCALE		1:1	SHEET	4 of 5	REV	R6

LOW HALOGEN

P	LTR	DESCRIPTION	DATE	DMN	APD
-	-	SEE SHEET 1	-	-	-

REVISIONS		DATE	DMN	APD
1	0.1	-	-	-



84.2	85.8	79.2	200	2	-1
20.2	21.8	15.2	40	8	-2
20.2	21.8	15.2	40	8	-1
52.2	53.8	47.2	120	8	-5
68.2	69.8	63.2	160	9	-8
52.2	53.8	47.2	120	9	-5
44.2	45.8	39.2	100	9	-4
36.2	37.8	31.2	80	9	-3
28.2	29.8	23.2	60	9	-2
20.2	21.8	15.2	40	9	-1
84.2	85.8	79.2	200	2	-0
76.2	77.8	71.2	180	1	-9
68.2	69.8	63.2	160	1	-8
60.2	61.8	55.2	140	1	-6
52.2	53.8	47.2	120	1	-5
44.2	45.8	39.2	100	1	-4
36.2	37.8	31.2	80	1	-3
28.2	29.8	23.2	60	1	-2
20.2	21.8	15.2	40	1	-1
84.2	85.8	79.2	200	1	-0
76.2	77.8	71.2	180		-9
68.2	69.8	63.2	160		-8
60.2	61.8	55.2	140		-7
52.2	53.8	47.2	120		-6
44.2	45.8	39.2	100		-5
36.2	37.8	31.2	80		-4
28.2	29.8	23.2	60		-3
20.2	21.8	15.2	40		-2
20.2	21.8	15.2	40		-1

5177985

RECOMMENDED P.C. BOARD LAYOUT

CONNECTOR ONLY

THIS DRAWING IS A CONTROLLED DOCUMENT.

DMN	SK LEAW	17MAY2004
CHK	ERIC TNG	-

DIMENSIONS:	TOLERANCE UNLESS OTHERWISE SPECIFIED:
0 PIC	±
1 PIC	± 0.3
2 PIC	± 0.25
3 PIC	± 0.2
4 PIC	±
ANGLES	±
FINISH	-

APVD	SF LEONG
PRODUCT SPEC	108-5390
APPLICATION SPEC	114-5254
WEIGHT	-

CUSTOMER DRAWING

NAME	RECEPTACLE ASSEMBLY 5H TYPE (0.5MM BOSS LENGTH) FOR 0.8FH ON TAPING
SIZE	A2
QAE CODE	00779
DRAWING NO	5177985
RESTRICTED TO	-

SCALE 1:1 SHEET 5 OF 5 REV R6



TE Connectivity Ltd.