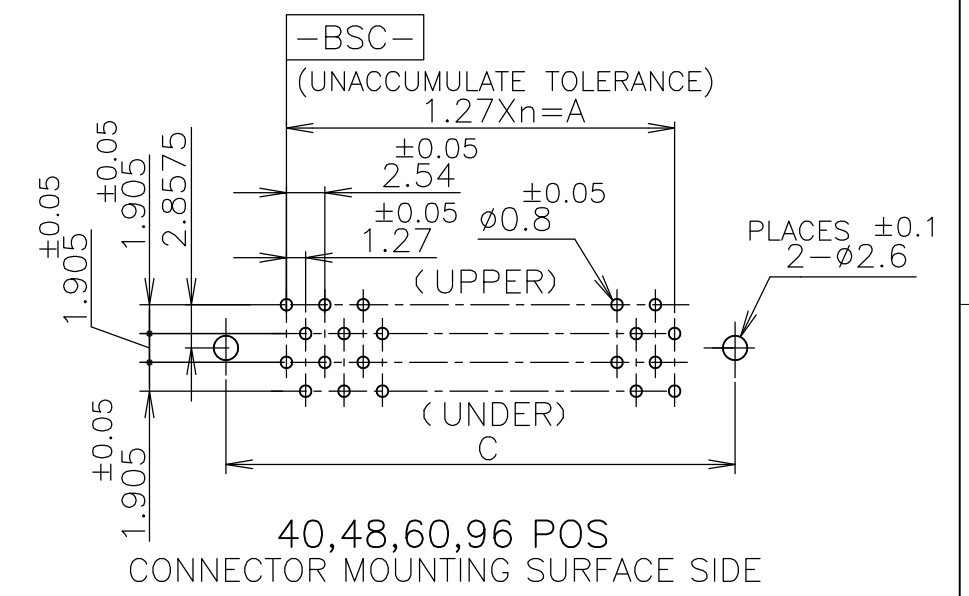
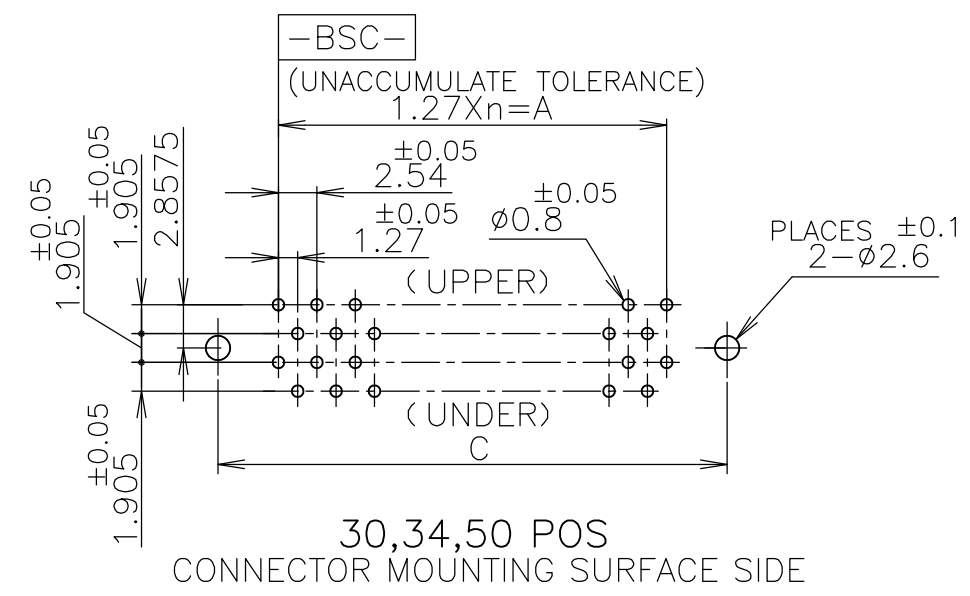
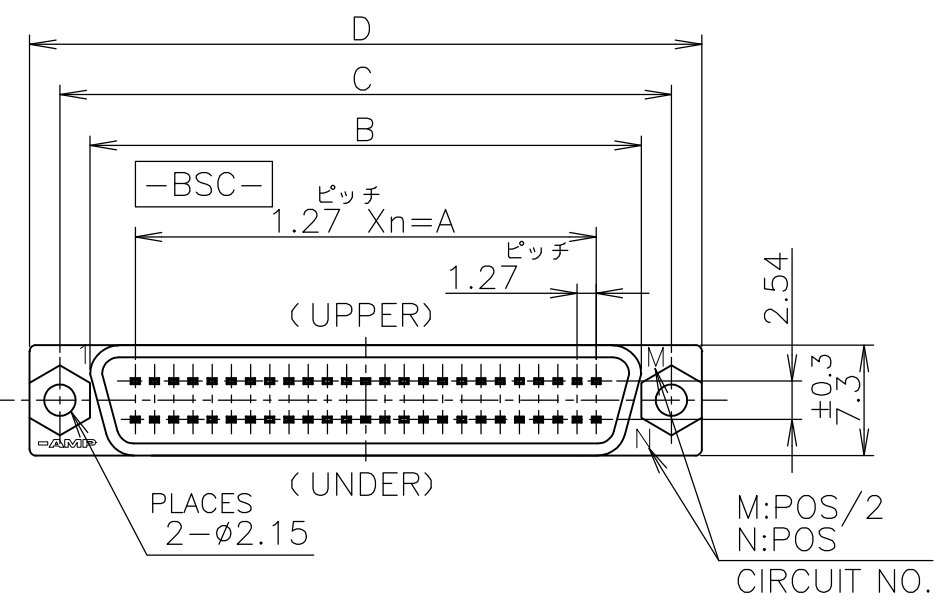
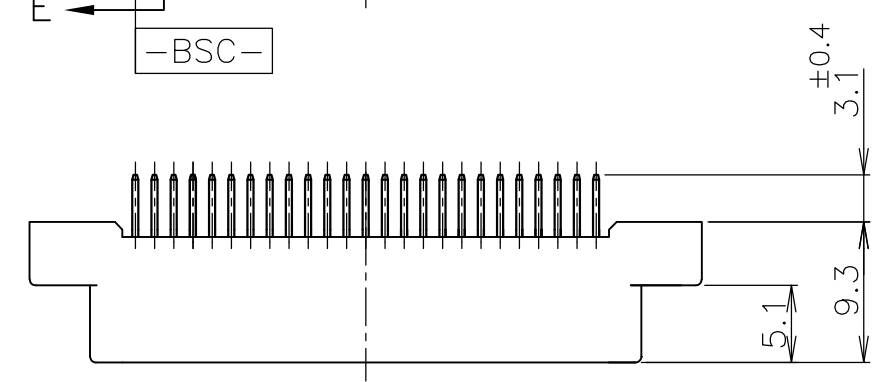
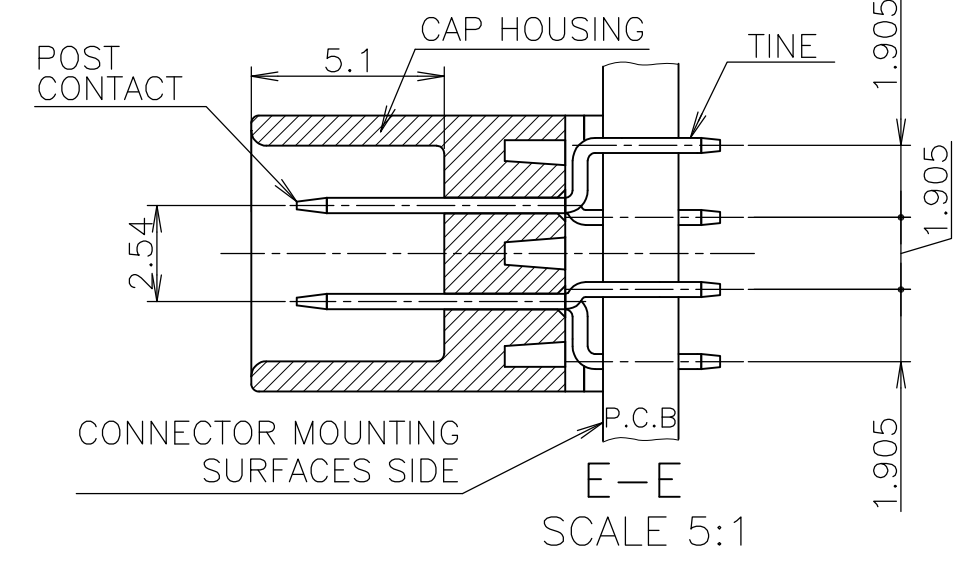
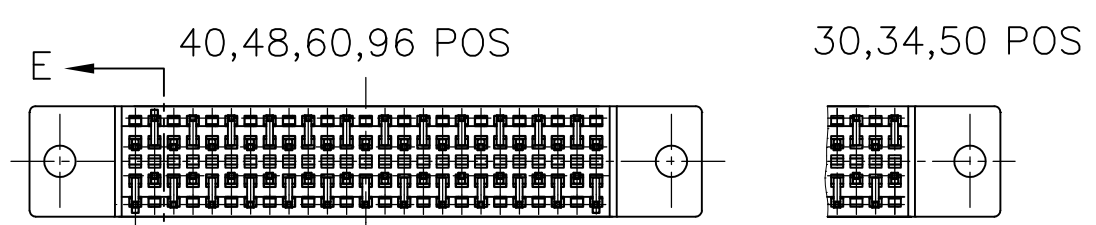


THIS DRAWING IS UNPUBLISHED. RELEASED FOR PUBLICATION OCT, 1984.
 © COPYRIGHT 1984 By - ALL RIGHTS RESERVED.

REVISIONS 変更				
P	LTR	DESCRIPTION	DATE	APVD
	B	REVISED PER ECO-17-002585	16JUN2017	AP DG



- 1 USE A P.C.B. WHOSE SURFACES ARE TREATED WITH SOLDER RESIST.
 - 2 SHOW P.C.B LAYOUT FROM THE CONNECTOR-MOUNTING SURFACE SIDE.
 - 3 NUMBER THE CONTACTS IN THE P.C.B OR CONNECTOR CONSECUTIVELY FROM THE -BSC- SIDE.
 - 4 WHEN SCREWING THE CONNECTOR TO THE P.C.B, USE M2 SCREW, NUT AND WASHERS.
- ⑤ HOUSING MATERIAL : THERMOPLASTICS (UL94-V0). COLOR:BLACK
 - ⑥ CONTACT MATERIAL : COPPER ALLOY
 - ⑦ FINISH : NICKEL 1.27μ MIN THK. OVERALL SELECTIVE GOLD 0.2μ MIN THK ON CONTACT AREA AND TIN 1μ MIN THK ON TINE AREA.
 - ⑧ OBSOLETE PARTS: OBSOLETE CIS STREAMLINING PER D.RENAUD/D.SINISI

OBSOLETE	-8	96	47	59.69	65.66	69.66	73.66
	-6	48	23	29.21	35.18	39.18	43.18
OBSOLETE	-5	34	16	20.32	26.29	30.29	34.29
	-4	60	29	36.83	42.80	46.80	50.80
OBSOLETE	-3	50	24	30.48	36.45	40.45	44.45
	-2	40	19	24.13	30.10	34.10	38.10
	5173280-1	30	14	17.78	23.75	27.75	31.75
	P/N	POS	n	A	B	C	D

GENERAL TOLERANCE 一般公差
10 ≥ : ±0.2
30 ≥ > 10: ±0.25
100 ≥ > 30: ±0.3
ANGLES: ±3°

THIS DRAWING IS A CONTROLLED DOCUMENT.

DIMENSIONS: 単位: 耗 MM

TOLERANCES UNLESS OTHERWISE SPECIFIED: 一般公差

0 PLC ± -

1 PLC ± -

2 PLC ± -

3 PLC ± -

4 PLC ± -

ANGLES ± -

MATERIAL 材料 参照 - ⑤ ⑥

FINISH 仕上 参照 - ⑦

DWN T.KAWAMAE 01APR05

CHK I.ENOMOTO 01APR05

APVD I.ENOMOTO 01APR05

NAME 名称

PRODUCT SPEC 製品規格 108-60036

APPLICATION SPEC 取付適用規格

WEIGHT 0

CUSTOMER DRAWING

SCALE 尺度 2:1

SHEET 1 OF 3

REV B

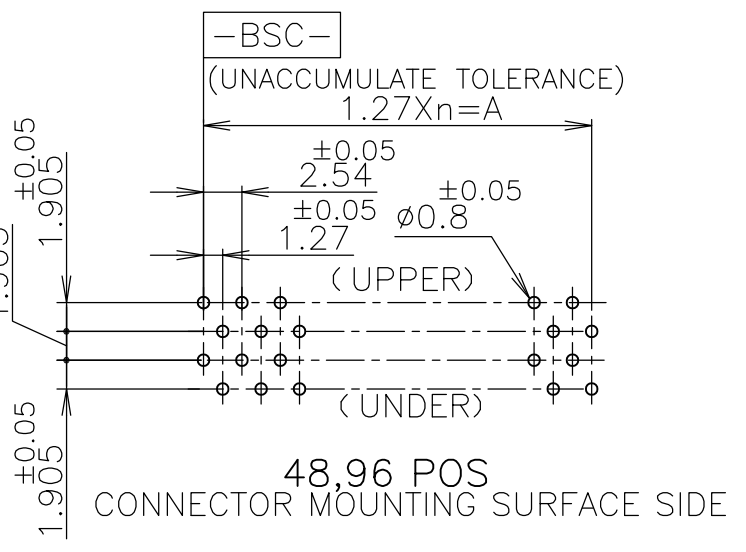
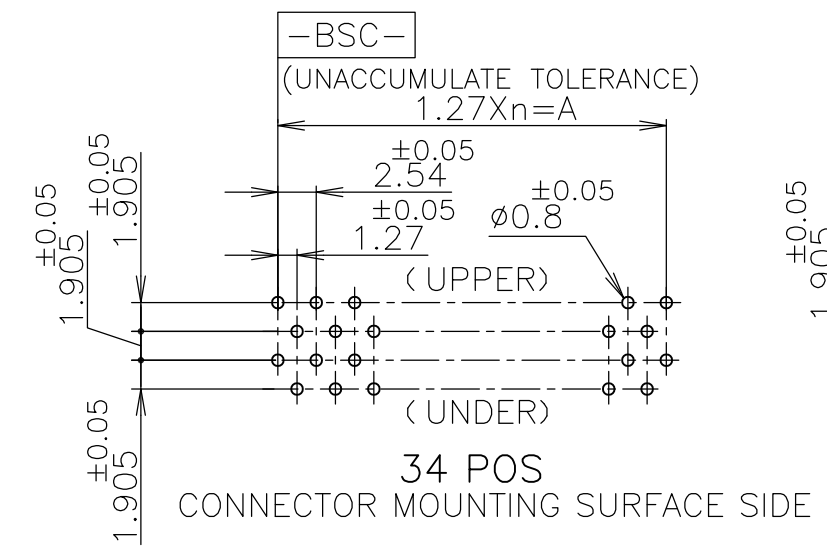
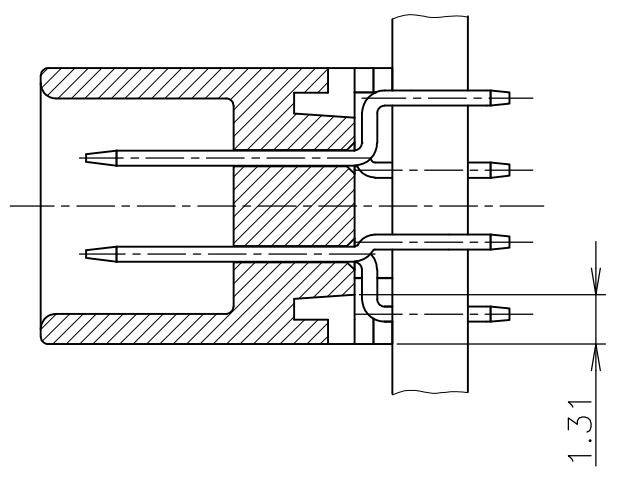
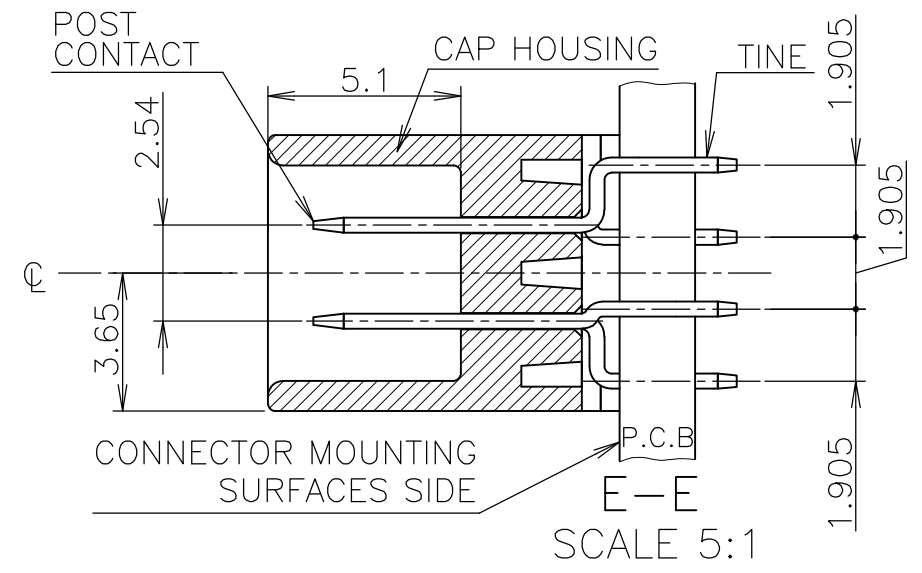
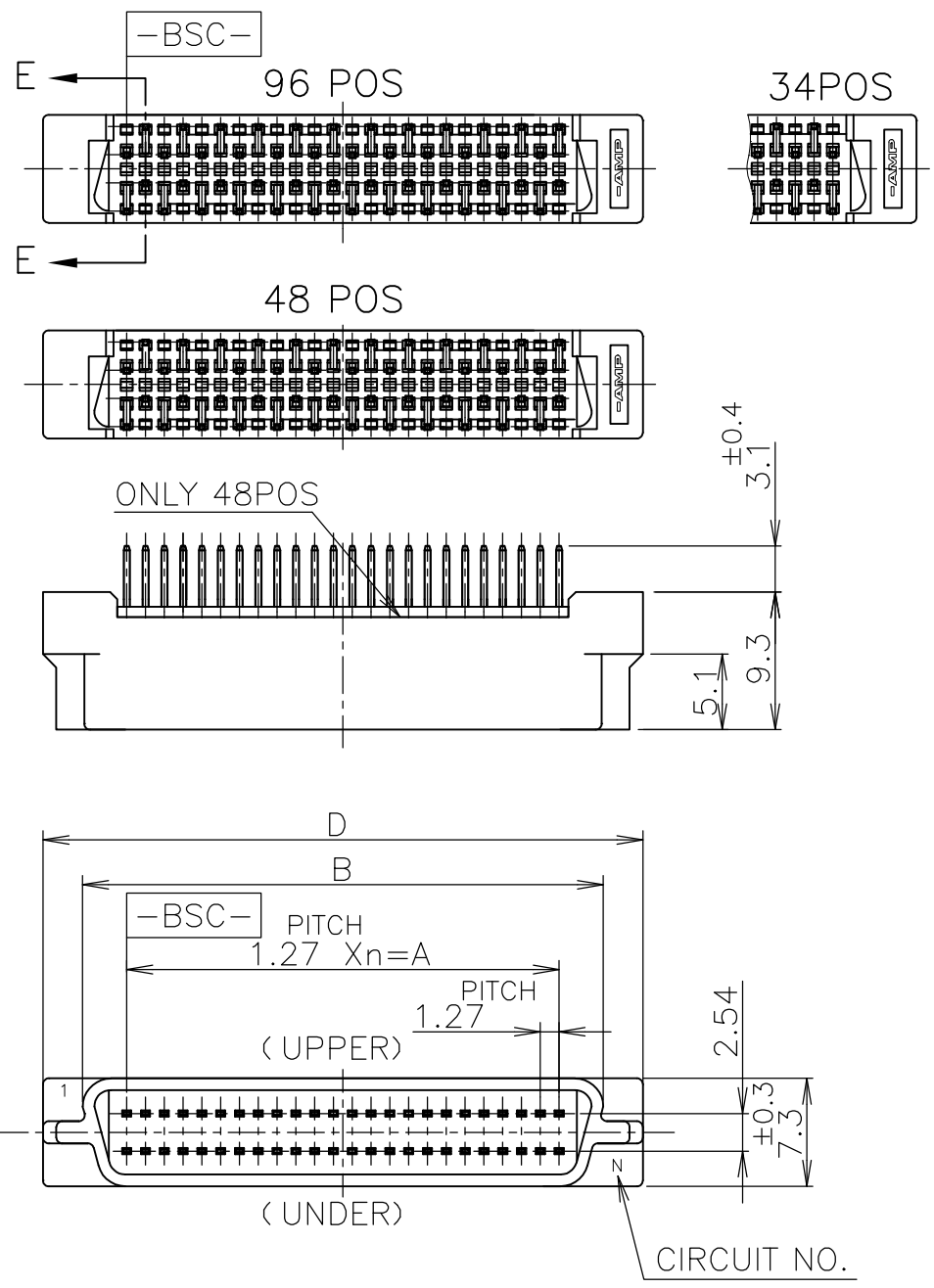
RESTRICTED TO



CAP ASSY VERTICAL
 AMPLIMITE 050 SERIES I B-TO-B CONN.

THIS DRAWING IS UNPUBLISHED. RELEASED FOR PUBLICATION OCT, 1984.
 © COPYRIGHT 1984 By - ALL RIGHTS RESERVED.

REVISIONS 変更					
P	LTR	DESCRIPTION	DATE	DWN	APVD
-	-	SEE SHEET 1	-	-	-



- 1 USE A P.C.B. WHOSE SURFACES ARE TREATED WITH SOLDER RESIST.
- 2 SHOW P.C.B LAYOUT FROM THE CONNECTOR-MOUNTING SURFACE SIDE.
- 3 NUMBER THE CONTACTS IN THE P.C.B OR CONNECTOR CONSECUTIVELY FROM THE [-BSC-] SIDE.

- 4 HOUSING MATERIAL : THERMOPLASTICS (UL94-V0). COLOR:BLACK
- 5 CONTACT MATERIAL : COPPER ALLOY
- 6 FINISH : NICKEL 1.27μ MIN THK. OVERALL SELECTIVE GOLD 0.2μ MIN THK ON CONTACT AREA AND TIN 1μ MIN THK ON TINE AREA.

2-	-8	96	47	59.69	65.66	71.00
2-	-6	48	23	29.21	35.18	40.52
2-5173280-5		34	16	20.32	26.29	31.63
P/N	極数	n	A	B	D	

GENERAL TOLERANCE 一般公差	
10 ≥ :	±0.2
30 ≥ > 10:	±0.25
100 ≥ > 30:	±0.3
ANGLES:	±3°

THIS DRAWING IS A CONTROLLED DOCUMENT.

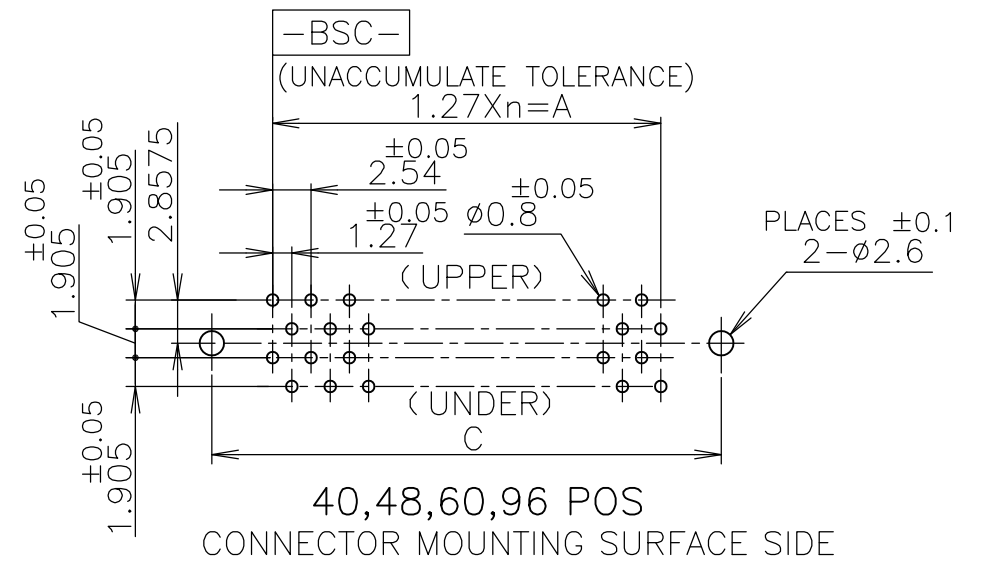
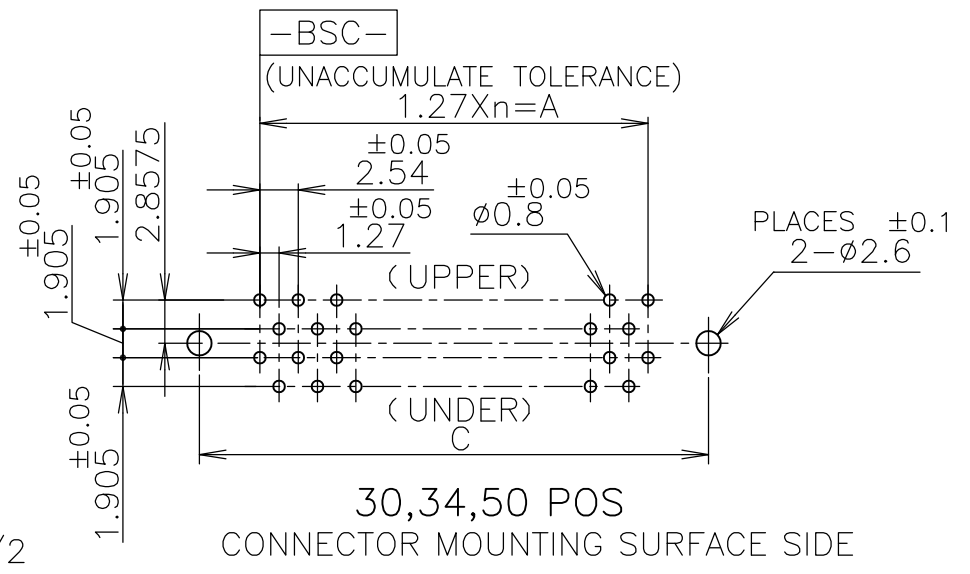
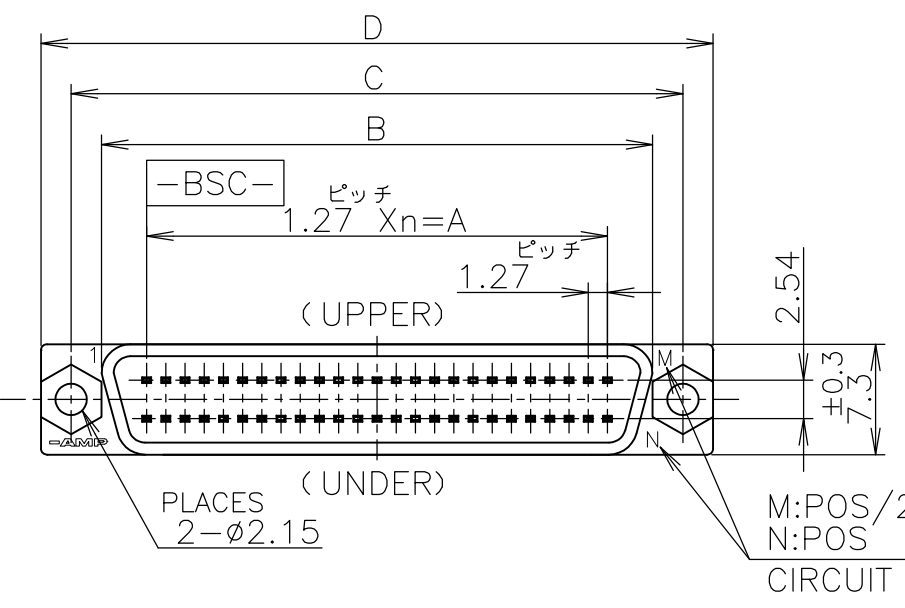
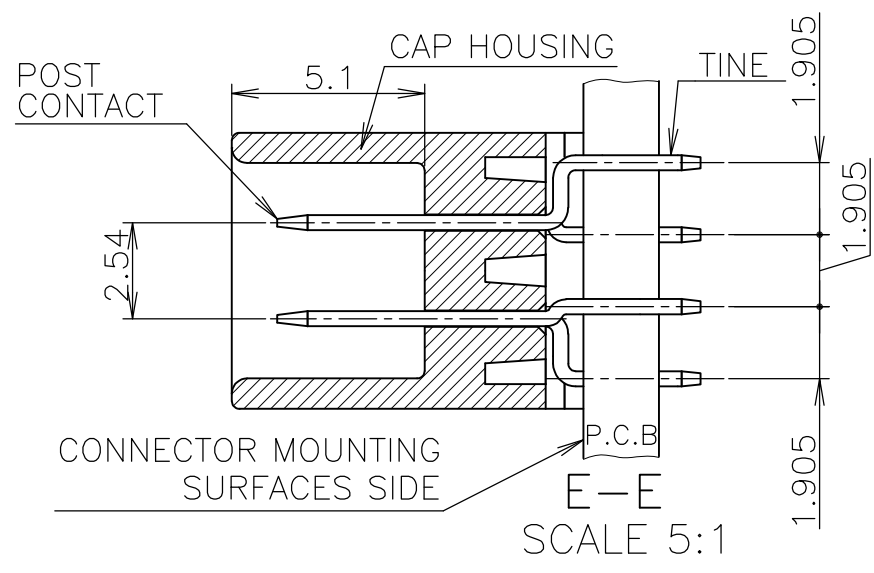
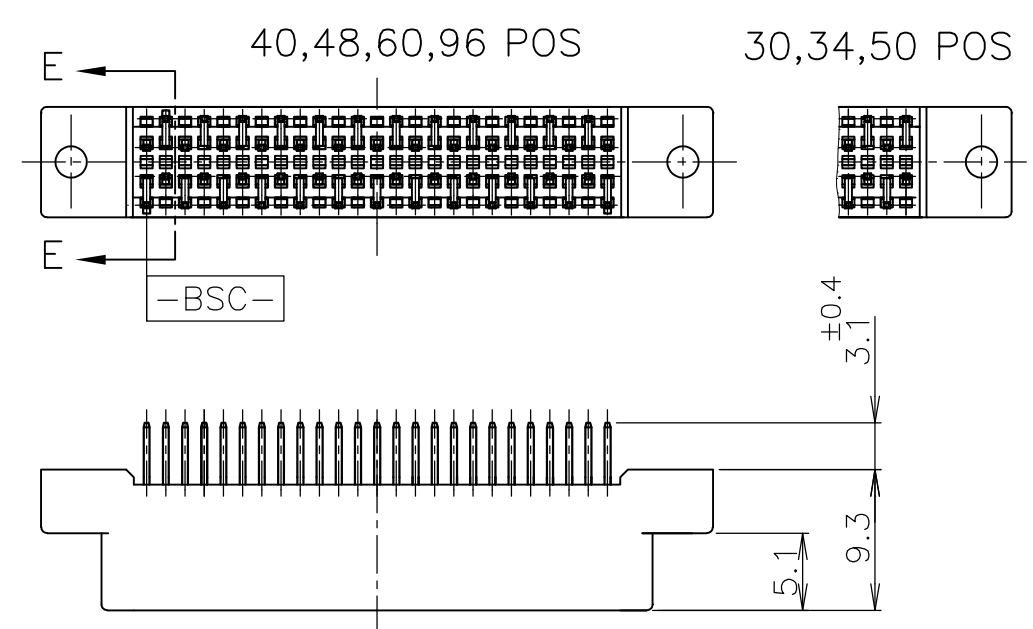
DIMENSIONS: 単位: 耗 MM	TOLERANCES UNLESS OTHERWISE SPECIFIED: 一般公差
0 PLC ± -	1 PLC ± -
2 PLC ± -	3 PLC ± -
4 PLC ± -	ANGLES ± -
MATERIAL 材料	FINISH 仕上
SEE- 4 5	SEE- 6

DWN	CHK	APVD	NAME 名称			
PRODUCT SPEC 製品規格	CAP ASSY VERTICAL AMPLIMITE .050 SERIES I B-TO-B CONN.					
APPLICATION SPEC 取付適用規格	SIZE	CAGE CODE	DRAWING NO 番号	RESTRICTED TO		
WEIGHT	A3	00779	C-5173280	-		
CUSTOMER DRAWING	SCALE 尺度	2:1	SHEET 2 OF 3	REV B		

THIS DRAWING IS UNPUBLISHED.
 © COPYRIGHT 1984 By -

RELEASED FOR PUBLICATION
 ALL RIGHTS RESERVED.
 OCT , 1984.

REVISIONS 変更					
P	LTR	DESCRIPTION	DATE	DWN	APVD
-	-	SEE SHEET 1	-	-	-



- USE A P.C.B. WHOSE SURFACES ARE TREATED WITH SOLDER RESIST.
- SHOW P.C.B LAYOUT FROM THE CONNECTOR-MOUNTING SURFACE SIDE.
- NUMBER THE CONTACTS IN THE P.C.B OR CONNECTOR CONSECUTIVELY FROM THE -BSC- SIDE.
- WHEN SCREWING THE CONNECTOR TO THE P.C.B, USE M2 SCREW, NUT AND WASHERS.
- HOUSING MATERIAL : THERMOPLASTICS (UL94-V0). COLOR:BLACK
- CONTACT MATERIAL : COPPER ALLOY
- FINISH : NICKEL 1.27µ MIN THK. OVERALL SELECTIVE GOLD 0.76µ MIN THK ON CONTACT AREA AND TIN 1µ MIN THK ON TINE AREA.

6-	-8	96	47	59.69	65.66	69.66	73.66
6-	-6	48	23	29.21	35.18	39.18	43.18
6-	-5	34	16	20.32	26.29	30.29	34.29
6-	-4	60	29	36.83	42.80	46.80	50.80
6-	-3	50	24	30.48	36.45	40.45	44.45
6-	-2	40	19	24.13	30.10	34.10	38.10
6-5173280-1		30	14	17.78	23.75	27.75	31.75
P/N		POS	n	A	B	C	D

GENERAL TOLERANCE
一般公差

10 ≥	±0.2
30 ≥ > 10	±0.25
100 ≥ > 30	±0.3
ANGLES: ±3°	

THIS DRAWING IS A CONTROLLED DOCUMENT.

DIMENSIONS:
単位: 耗
MM

TOLERANCES UNLESS OTHERWISE SPECIFIED:
一般公差

0 PLC	± -
1 PLC	± -
2 PLC	± -
3 PLC	± -
4 PLC	± -
ANGLES	± -

MATERIAL
材料 SEE 参照

FINISH
仕上 SEE 参照

DWN	-
CHK	-
APVD	-
PRODUCT SPEC 製品規格	-
APPLICATION SPEC 取付適用規格	-
WEIGHT	-

STE TE Connectivity

NAME
名称

CAP ASSY VERTICAL
AMPLIMITE .050 SERIES I B-TO-B CONN.

SIZE	CAGE CODE	DRAWING NO 番号	RESTRICTED TO
A3	00779	C-5173280	-

CUSTOMER DRAWING

SCALE
尺度 2:1

SHEET
3 OF 3

REV
B